

4

3

2

1

THIS DRAWING IS UNPUBLISHED.

RELEASED FOR PUBLICATION

© COPYRIGHT BY TYCO ELECTRONICS CORPORATION. ALL RIGHTS RESERVED.

LOC	DIST	REVISIONS			
P	LTR	DESCRIPTION	DATE	DWN	APVD
ES	00	B1	REVISED ECR-10-019029	19SEP10	J.H S.Y

(AS SHOWN : -6)

Top view of the connector post header assembly. Dimensions include: 1.75, ±0.1, 4.0, ±0.1, PITCH ±0.1 (12.0), ±0.1, 2.0 PITCH, 6.5, 4.3, 2.2, 1.2, "G" ∅1.5<sup>+0.1</sup>/<sub>0</sub>. Section lines A-A, B-B, and H-H are indicated.

SECT "G"- "G"

Top view of the 9P connector post header assembly. Dimensions include: 6.80, 2.20, 3.90, 1.20, ±0.1, 12.0 PITCH, ±0.1, 2.0 PITCH, ±0.1, 4.0, ∅1.5<sup>+0.1</sup>/<sub>0</sub>, 1.75, ±0.1, 2.75, 3.65, 1.0, ±0.1, 1.75, 1.0, ±0.1.

9P ONLY

SECT "H"- "H"

TOP OF REEL

Fig-1

WINDING THE COVER TAPE AROUND THE OUTER PERIPHERY IN A TURN

PEELING ANGLE, 165-180°

15 HOLES

WITHOUT CHARGE 300mm APPROX

WITH PRODUCT CHARGE

WITHOUT CHARGE 600mm APPROX

COLOR	PLATE	D	C	B	A	QTY/REEL	POS	TAPING P/N
BLACK		44.0	40.50	20.25	25.60	9	2-292175-9	
		44.0	40.4	20.2	22.9	8	2-	-8
		32.0	28.4	14.2	20.9	7	2-	-7
		32.0	28.4	14.2	18.9	6	2-	-6
		32.0	28.4	14.2	16.9	5	2-	-5
		32.0	28.4	14.2	14.9	4	2-	-4
		32.0	28.4	14.2	12.9	3	2-	-3
WITH		32.0	28.4	14.2	10.9	700	2	2-292175-2
NATURAL		44.0	40.50	20.25	25.60	9	292175-9	
		44.0	40.4	20.2	22.9	8		-8
		32.0	28.4	14.2	20.9	7		-7
		32.0	28.4	14.2	18.9	6		-6
		32.0	28.4	14.2	16.9	5		-5
		32.0	28.4	14.2	14.9	4		-4
		32.0	28.4	14.2	12.9	3		-3
WITH		32.0	28.4	14.2	10.9	700	2	292175-2

NOTES:

1. PEELING RESISTANCE: 0.196N(20gf)-0.686N(70gf)

SPEED: 300mm/min

TOLERANCE UNLESS OTHERWISE SPECIFIED

10>\* :±0.2

30>>\*10 :±0.25

100>>\*30 :±0.3

ANGLE :±3°

THIS DRAWING IS A CONTROLLED DOCUMENT.		DWN JACH HOU 19SEP10	Tyco Electronics Corporation	
DIMENSIONS: MM		CHK MARTIN LI 19SEP10	Shanghai, P.R.China,200233	
TOLERANCES UNLESS OTHERWISE SPECIFIED:		APVD STEVEN YAO 19SEP10	NAME	
0 PLC ±		PRODUCT SPEC	ON TAPING (EMBOSS)	
1 PLC ±		APPLICATION SPEC	TE CT CONNECTOR POST HEADER ASS'Y	
2 PLC ±		108-60016	(BOX-V SMT W/O BOSS & W/TAI)	
3 PLC ±		WEIGHT	SIZE A3	CAGE CODE 00779
4 PLC ±		CUSTOMER DRAWING	DRAWING NO	©=292175
ANGLES ±		SCALE	SHEET 1 OF 2	REV B1
FINISH				

AMP 1470-19 REV 31MAR2000

4

3

2

1

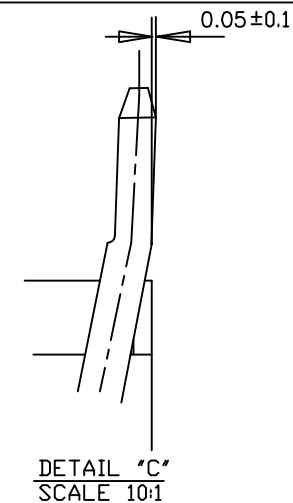
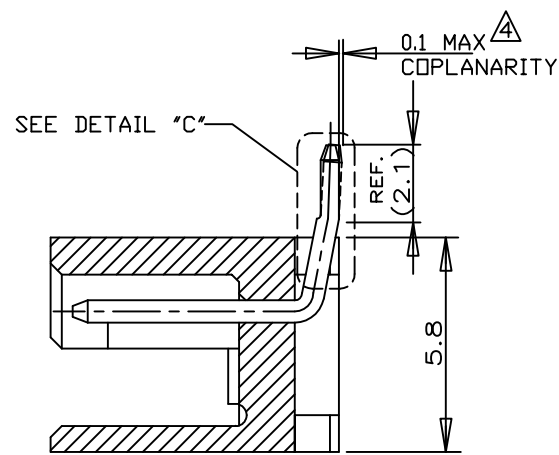
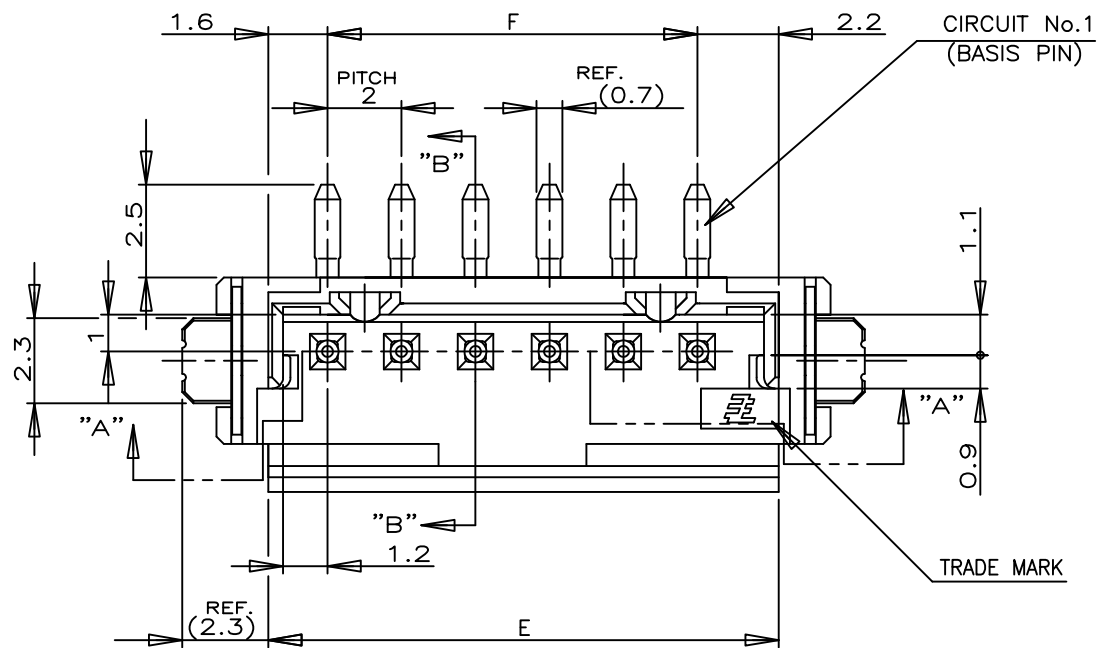
THIS DRAWING IS UNPUBLISHED. RELEASED FOR PUBLICATION

© COPYRIGHT BY TYCO ELECTRONICS CORPORATION. ALL RIGHTS RESERVED.

LOC ES DIST 00

REVISIONS

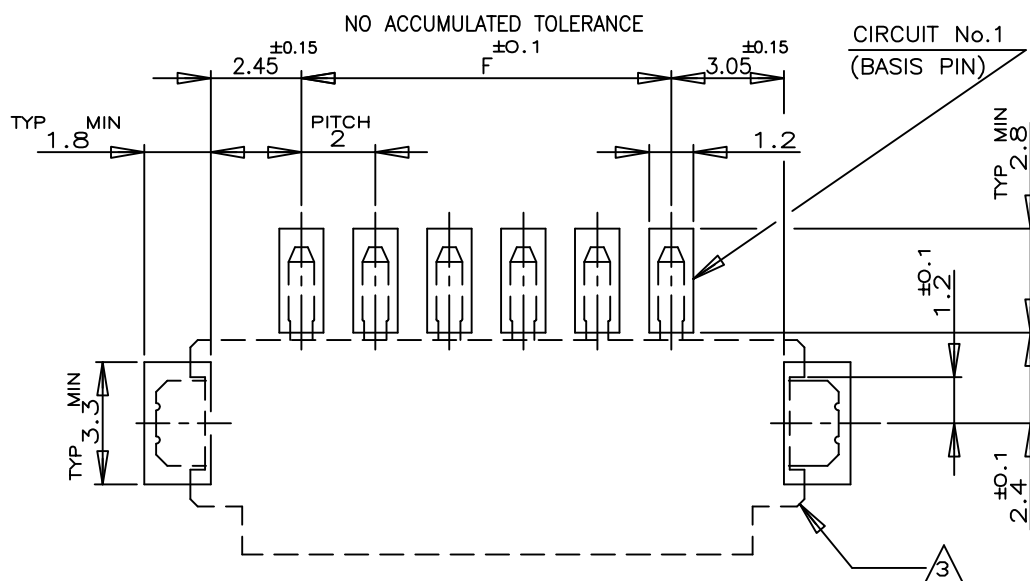
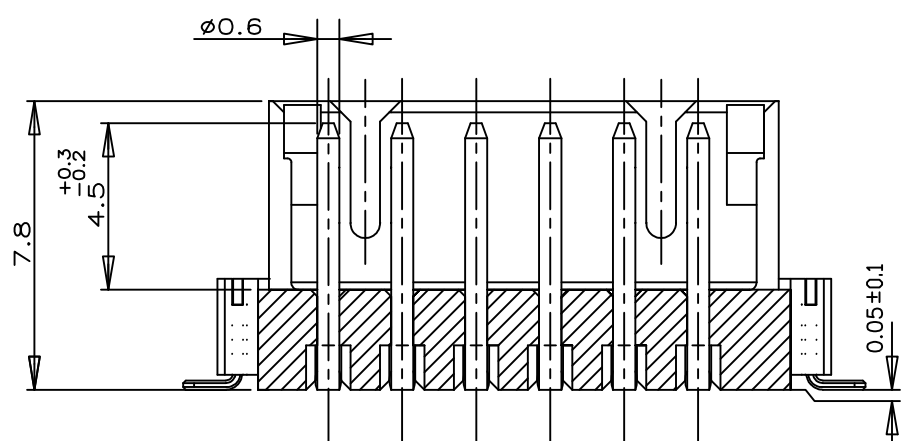
P	LTR	DESCRIPTION	DATE	DWN	APVD
-	-	SEE SHEET 1	-	-	-



NOTES;

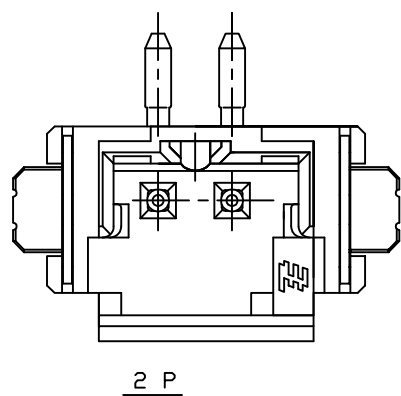
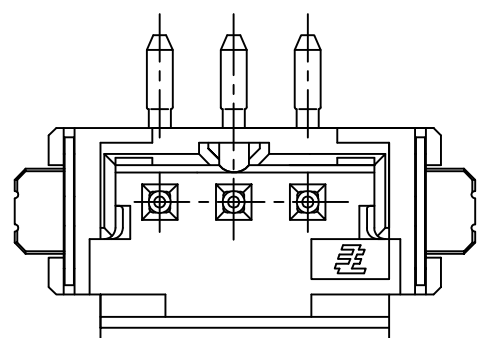
2. MATERIAL:HSG-6T PA(G.F.30%)(UL94V-0)  
 COLOR:NATURAL,BLACK  
 POST:TIN BRASS  
 TAIL: TIN BRASS

△ OCCUPANT AREA ON PC BOARD  
 △ TO BE MEASURED WITH CONNECTOR PLACED ON HORIZONTAL DATUM SURFACE,FLOAT OF SOLDER TINE AND TAIL FROM DATUM SURFACE IS 0.1mm MAX



RECOMENOED P.C.BOARD LAYOUT (P.C.B THK:0.8mm MIN)

16.0	19.8	9	2-292175-9	292175-9
14.0	17.8	8	2-▲-8	▲-8
12.0	15.8	7	2-▲-7	▲-7
10.0	13.8	6	2-▲-6	▲-6
8.0	11.8	5	2-▲-5	▲-5
6.0	9.8	4	2-▲-4	▲-4
4.0	7.8	3	2-▲-3	▲-3
2.0	5.8	2	2-292175-2	292175-2
F	E	POS.	BLACK	NATURAL
P/N				



TOLERANCES UNLESS OTHERWISE SPECIFIED:  
 10\*\* : ±0.2  
 30\*\*>10 : ±0.25  
 100\*\*>30 : ±0.3  
 ANGEL : ±3°

THIS DRAWING IS A CONTROLLED DOCUMENT.

DIMENSIONS: MM	TOLERANCES UNLESS OTHERWISE SPECIFIED:	DWN	-	<b>Tyco Electronics</b>	Tyco Electronics Corporation	
	0 PLC ±- 1 PLC ±- 2 PLC ±- 3 PLC ±- 4 PLC ±- ANGLES ±-	CHK	-		Shanghai, P.R.China,200233	
MATERIAL	FINISH	APVD	-	NAME		
SEE NOTE	SEE NOTE	PRODUCT SPEC	108-60016	ON TAPING (EMBOSS)		
		APPLICATION SPEC	-	SMT TYPE POST HDR ASS'Y(V)		
		WEIGHT	-	SIZE	CAGE CODE	DRAWING NO
		CUSTOMER DRAWING		A3	00779	C=292175
				RESTRICTED TO		
				SCALE	SHEET	REV
				5:1	2 OF 2	B1