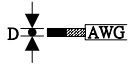




SWITCHING POWER SUPPLY

WIRING HARNESS

DOC No	FB-U8-S01	REV	A1
Date	2007.5.22	UNIT	mm
P/N	WU24BS5141BW		



AWG	#16	#18	#20	#22	#24	#26
D	<1.8	<1.8	<1.5	<1.2	<1.0	<1.0

MODEL	Tolerance
CUSTOMER	

Housing color:
Natural or White

PD - PI Housing color:
Natural or White

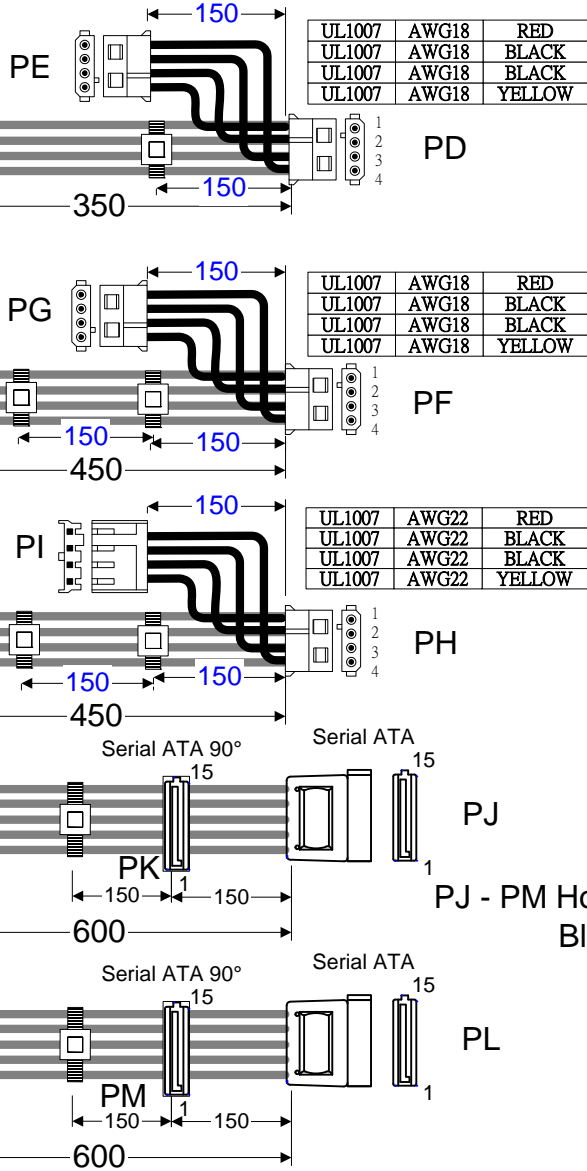
24P

TO POWER

WU24BS5141BW

P/N label sticks to housing.

Follows the pin assignment table.



24P	UL1007	AWG18	Color	Voltage	Terminal
1	UL1007	AWG18	BLACK	GND	PD-2
2	UL1007	AWG18	BLACK	GND	PD-3
3	UL1007	AWG18	BLACK	GND	PF-2
4	UL1007	AWG18	BLACK	GND	PF-3
5	UL1007	AWG18	BLACK	GND	PH-2
6	UL1007	AWG18	BLACK	GND	PH-3
7	UL1007	AWG18	YELLOW	+12V	PD-1
8	UL1007	AWG18	YELLOW	+12V	PF-1
9	UL1007	AWG18	YELLOW	+12V	PH-1
10	UL1007	AWG18	YELLOW	+12V	PJ-13,14,15
11	UL1007	AWG18	YELLOW	+12V	PL-13,14,15
12	NC				

24P	UL1007	AWG18	Color	Voltage	Terminal
13	UL1007	AWG18	BLACK	GND	PJ-4,5,6
14	UL1007	AWG18	BLACK	GND	PJ-10,11,12
15	UL1007	AWG18	BLACK	GND	PL-4,5,6
16	UL1007	AWG18	BLACK	GND	PL-10,11,12
17	NC				
18	UL1007	AWG18	ORANGE	+3.3V	PJ-1,2,3
19	UL1007	AWG18	ORANGE	+3.3V	PL-1,2,3
20	UL1007	AWG18	RED	+5V	PD-4
21	UL1007	AWG18	RED	+5V	PF-4
22	UL1007	AWG18	RED	+5V	PH-4
23	UL1007	AWG18	RED	+5V	PJ-7,8,9
24	UL1007	AWG18	RED	+5V	PL-7,8,9