



User Manual

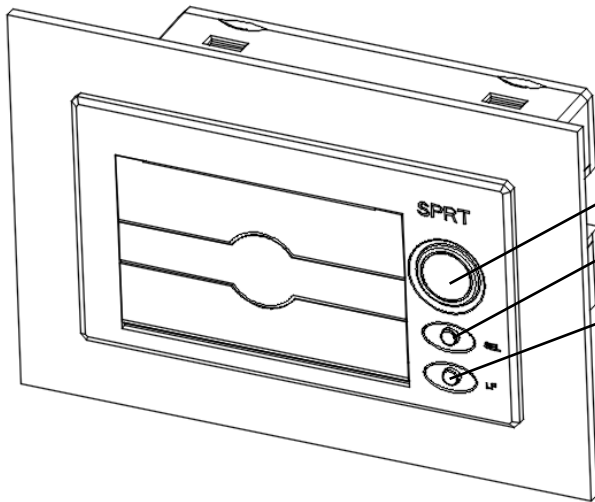
RS PRO Thermal Panel Printer

Stock number: 178-5731

EN



Front Plate

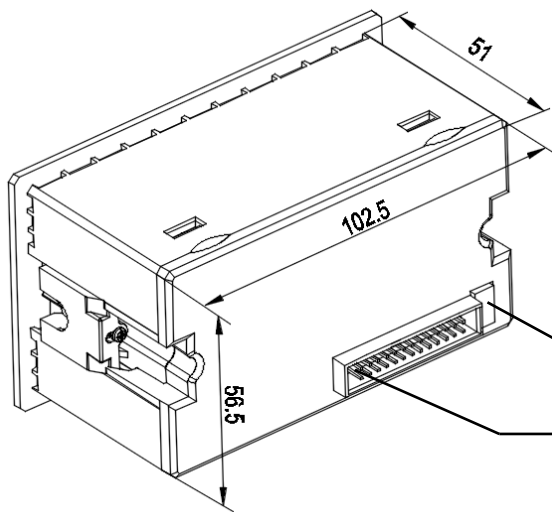


- Door OPEN button
- SEL: On/Off button
Red LED on-line indicator.
- LF: Line Feed button
Green LED power indicator
Paper feed button.

Paper feed: hold down SEL button when power is on, after the red indicator is off, press LF button.

Self-test: hold down SEL button until the power comes on, then release SEL button, the self-test receipt is printed out.

Dimension details

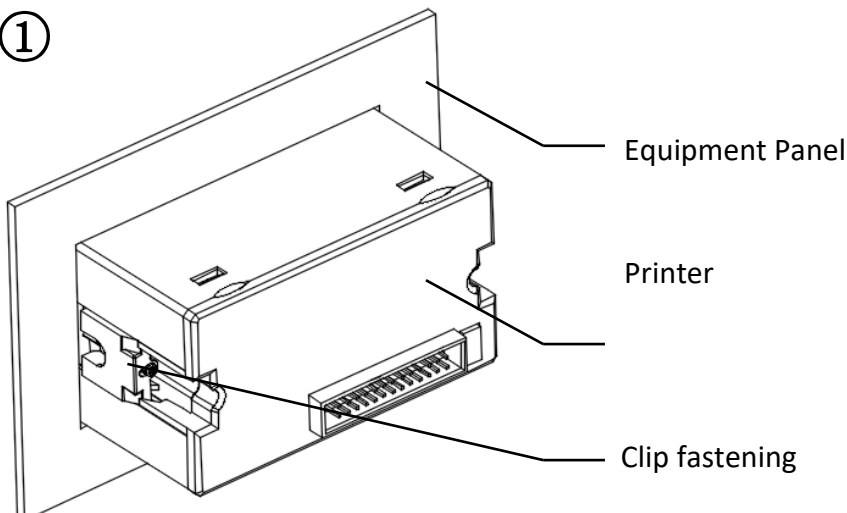


Panel cut-out size : $103^{+0.5}_0 * 57^{+0.5}_0$

- Power socket
- Communication interface

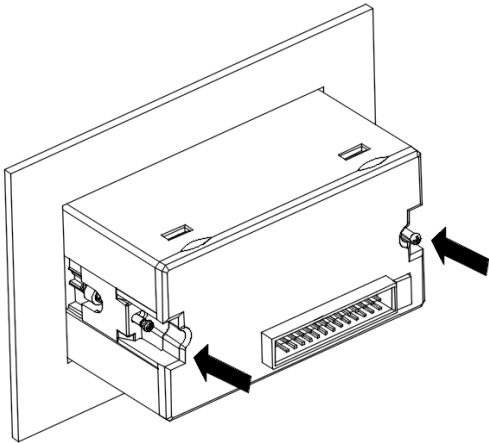
Installation procedure

①



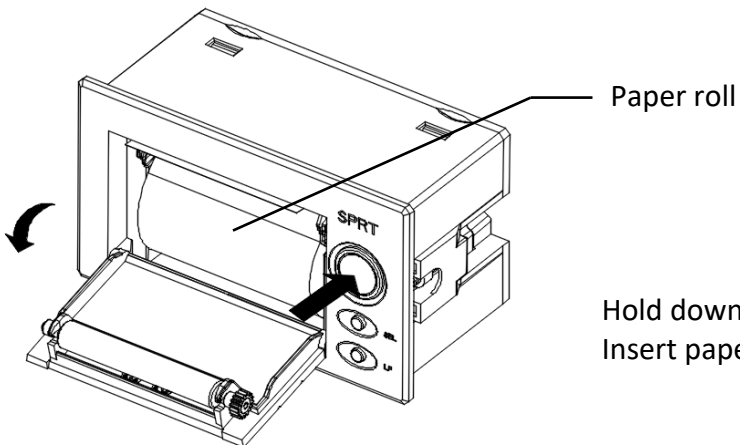
Step 1:
Insert printer into the equipment panel cut-out.

②



Step 2:
Tighten fixing screws from the rear.
lock the clip fastening as shown.

Paper Installation



Hold down the OPEN button to open the door panel.
Insert paper roll then close the door.

 Warning:

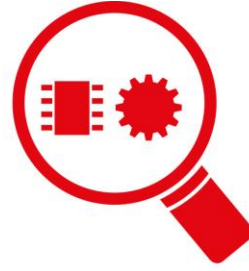
When closing the door panel do not apply undue force. The correct operation is as follows:

- 1) Close the door panel slowly until touching the printer front plate
- 2) Press the door panel gently to make it lock into the printer



AUDITED

In compliance with industry standards



INSPECTED

For guaranteed quality and performance



TESTED

By leading engineers

