



## Main

|                             |   |
|-----------------------------|---|
| Range of product            | Preventa XY2  |
| Product or component type   | Two-hand control station  |
| Component name              | XY2S  |
| Control station composition | 2 push-buttons + 1 emergency stop push-button   |
| Control button type         | 1 push-button, mushroom, red, 1 NC + 1 NC simultaneous<br>2 push-buttons, 1 NC + 1 NO break before make |

## Complementary

|  |  |
|--|--|
| Housing colour                         | Orange RAL 2008  |
| Surface finish                         | Painted  |
| Cable entry                            | 1 plain hole for M25<br>2 plain holes for M20  |
| Mechanical durability                  | 1000000 cycles   |
| Contact code designation               | AC-15, A600 or 240 V, 3 A<br>DC-13, Q600 or 250 V, 0.27 A conforming to EN/IEC 60947-5-1 appendix A  |
| [Ui] rated insulation voltage          | 600 V conforming to CSA C22.2 No 14<br>600 V conforming to UL 508<br>600 V, degree of pollution: 3 conforming to EN/IEC 60947-1  |
| [Uimp] rated impulse withstand voltage | 6 kV conforming to EN/IEC 60947-1  |
| Positive opening                       | With conforming to EN/IEC 60947-5-1 appendix K   |
| Short-circuit protection               | 10 A fuse protection by cartridge fuse type gG conforming to EN/IEC 60269  |
| Electrical durability                  | 1000000 cycles utilisation category AC-15, operating rate: 60 cyc/mn at 120 V, 3 A, load factor: 0.5 conforming to EN/IEC 60947-5-1 appendix C<br>1000000 cycles utilisation category AC-15, operating rate: 60 cyc/mn at 230 V, 2 A, load factor: 0.5 conforming to EN/IEC 60947-5-1 appendix C<br>1000000 cycles utilisation category AC-15, operating rate: 60 cyc/mn at 24 V, 4 A, load factor: 0.5 conforming to EN/IEC 60947-5-1 appendix C<br>1000000 cycles utilisation category DC-13, operating rate: 60 cyc/mn at 110 V, 0.2 A, load factor: 0.5 conforming to EN/IEC 60947-5-1 appendix C<br>1000000 cycles utilisation category DC-13, operating rate: 60 cyc/mn at 24 V, 0.5 A, load factor: 0.5 conforming to EN/IEC 60947-5-1 appendix C |
| Electrical reliability                 | Failure rate < 0.00000001 at 17 V, 0.005 A conforming to EN/IEC 60947-5-4  |

Failure rate < 0.000001 at 5 V, 0.001 A conforming to EN/IEC 60947-5-4

|                |      |
|----------------|------|
| Product weight | 4 kg |
|----------------|------|

## Environment

|                                       |  |
|---------------------------------------|--|
| Standards                             | EN 574<br>EN/IEC 60947-5-1<br>ISO 13851              |
| Protective treatment                  | TC   |
| Ambient air temperature for operation | -25...70 °C  |
| Ambient air temperature for storage   | -40...70 °C  |
| Vibration resistance                  | 5 gn (f = 2...500 Hz) conforming to EN/IEC 60068-2-6 |
| Shock resistance                      | 10 gn for 11 ms conforming to EN/IEC 60068-2-27      |
| Electrical shock protection class     | Class I conforming to EN/IEC 61140                   |
| IP degree of protection               | IP65 conforming to EN/IEC 60529                      |

## Offer Sustainability

|                                  |   |
|----------------------------------|---|
| Sustainable offer status         | Green Premium product   |
| RoHS (date code: YYWW)           | Compliant - since 0908 - Schneider Electric declaration of conformity<br><a href="#">Schneider Electric declaration of conformity</a> |
| REACH                            | Reference not containing SVHC above the threshold<br><a href="#">Reference not containing SVHC above the threshold</a>                |
| Product end of life instructions | Need no specific recycling operations   |

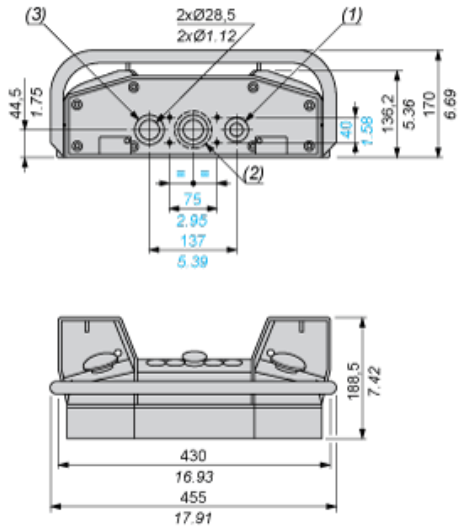
## Contractual warranty

|                 |           |
|-----------------|-----------|
| Warranty period | 18 months |
|-----------------|-----------|

Control Station

Dimensions

mm  
in.



- (1) 2 plain holes for n° 13 (PG13.5) or ISO M20 cable gland.
- (2) Ø 56 mm/Ø 2.20 in. knock-out specifically for mounting on pedestal.
- (3) 1 plain hole for n° 21 (PG21) cable gland. For ISO M25, use adaptor DE9RA2125 and fixing nut DE9EC21.