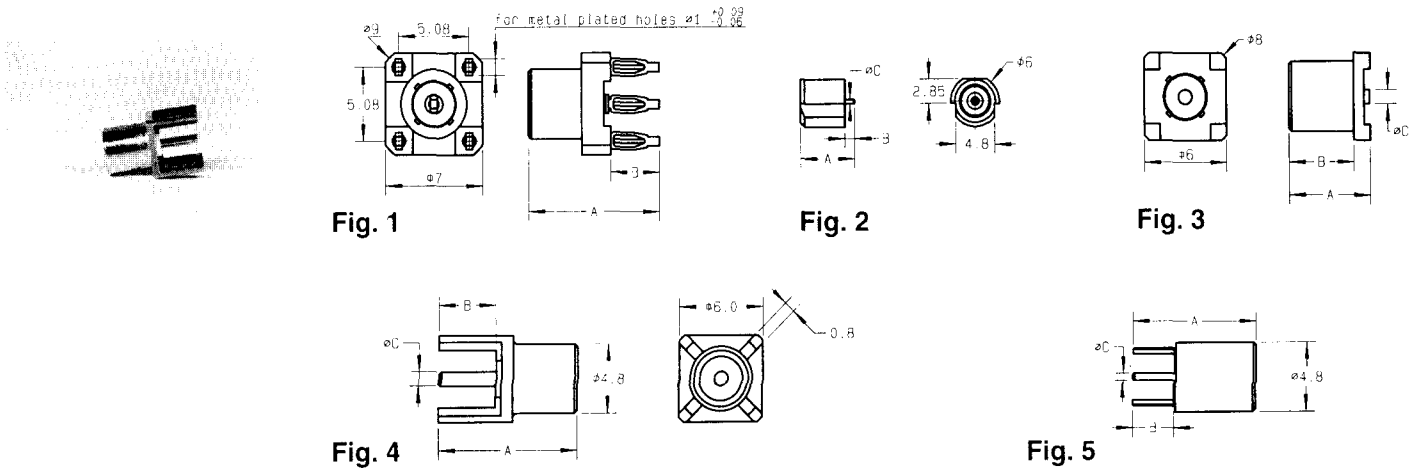


## STRAIGHT FEMALE PCB RECEPTACLES (captive center contact)



part number	fig.	imp. ( $\Omega$ )	dimensions (mm)			mounting	PCB	finish	note
			A	B	C				
R113 416 000	1	50	9.45	3.5		M 06	P 04	Gold	Press-Fit PCB mount
R113 416 020	1	50	9.45	3.5		M 06	P 04	Nickel	Press-Fit PCB mount
R113 423 000	2	50	6.9	1.4	0.5	M12		Gold	SMT / Edge-card
R113 424 000	3	50	5.9	4.7	0.96	M12		Gold	SMT
R113 424 010	3	50	5.9	4.7	0.96	M12		Gold	SMT / reel 100 pieces
R113 424 020	3	50	5.9	4.7	0.96	M12		Gold	SMT / reel 500 pieces
R113 426 000	4	50	10	4	0.98		P 05	Gold	
R113 426 010●	4	50	10	3.6	0.98		P 05	Gold	Short pins
R113 426 020	4	50	10	4	0.98		P 05	BBR	
R113 426 120●	4	50	10	4	0.98		P 05	Tin lead	
R113 427 000	5	50	9	3	0.5		P 06	Gold	Space saving on PCB
R113 427 020	5	50	9	3	0.5		P 06	BBR	Space saving on PCB
R213 426 000●	4	75	10	4.1	0.71		P 05	Gold	

## STRAIGHT MALE PCB RECEPTACLE (captive center contact)



part number	imp. ( $\Omega$ )	dimensions (mm)			PCB	finish
		A	B	C		
R113 425 000●	50	9.5	4	0.96	P 05	Gold

● Upon request.