



We Tame Photons to Work for You!



Products

Search Tools

Solutions

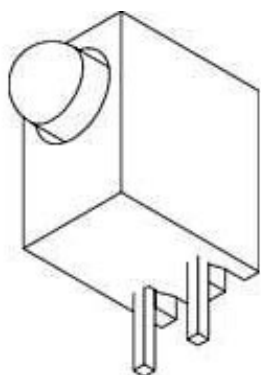
Literature

Tech Notes

Support

Corporate

Products > LED Indicators > PCB Indicators > Assembled Housing > Round > 3mm > Single Level > 2 Leaded > 0.20" from PCB > Standard



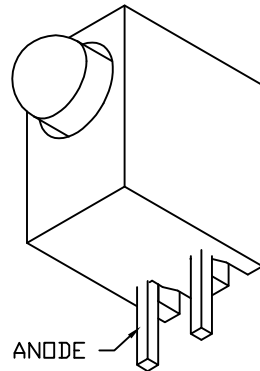
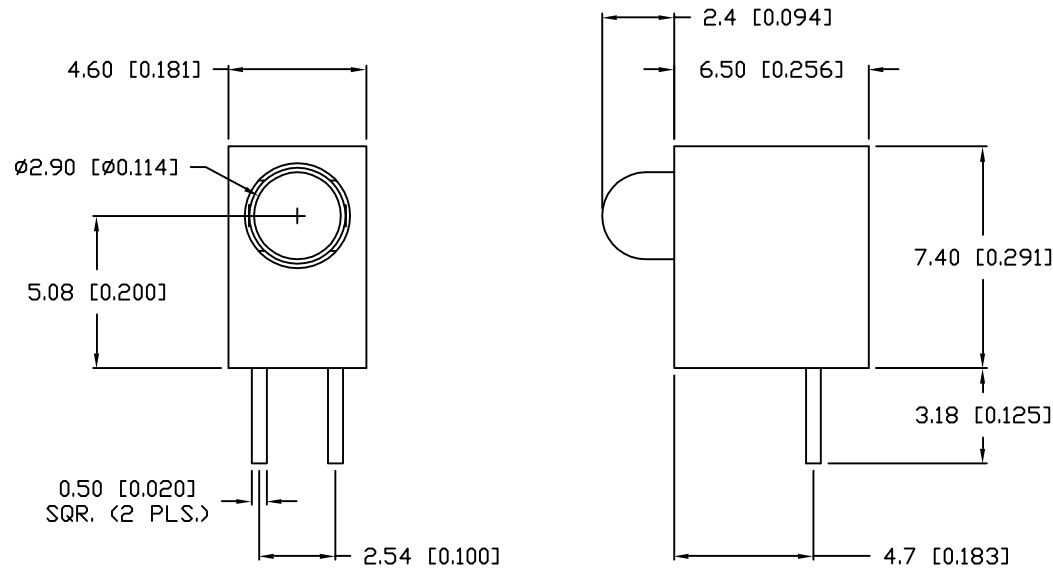
Features / Options

- ▶ Vertical Positioning
- ▶ Multi-Unit Construction
- ▶ Polarity Orientation Holder
- ▶ Choice of Colors and Lenses

Applications / Uses

- ▶ Board Level Status Indicators
- ▶ Board Level Fault Indicators
- ▶ Warning/Alarm Signaling
- ▶ Circuit Fault Finder Indicators

Part Number:	SPEC	Brightness	Material	Emitted Color	Wavelength	Intensity	View Angle	Voltage
SSF-LXH103BID		STANDARD	GaAsP	Blinking Red	635		60	3-15
SSF-LXH103GD		STANDARD	GaP	Green	565	30	60	2.1
SSF-LXH103GD		STANDARD	GaP	Green	565	30	60	2.1
SSF-LXH103HGW		STANDARD	GaP	Red/ Green	695/565	4/8	60	2.1
SSF-LXH103ID		STANDARD	GaAsP	Red	635	30	60	2.1
SSF-LXH103ID		STANDARD	GaAsP	Red	635	30	60	2.1
SSF-LXH103LGD		STANDARD	GaP	Green	565	15	60	1.8
SSF-LXH103LID		STANDARD	GaAsP	Red	635	40	60	1.8
SSF-LXH103LYD		STANDARD	GaAsP	Yellow	585		60	1.8
SSF-LXH103SID		HIGH	AllnGaP	Red	636	100	60	2.0



ELECTRO-OPTICAL CHARACTERISTICS $T_A=25^\circ\text{C}$ $I_f=20\text{mA}$

PARAMETER	MIN	TYP	MAX	UNITS	TEST COND
PEAK WAVELENGTH		565		nm	
FORWARD VOLTAGE		2.1	2.6	V_f	
REVERSE VOLTAGE	5.0			V_r	$I_r=100\mu\text{A}$
AXIAL INTENSITY		30		mcd	$I_f=20\text{mA}$
VIEWING ANGLE		60		2x theta	
EMITTED COLOR:	GREEN				
EPOXY LENS FINISH:	GREEN DIFFUSED				

LIMITS OF SAFE OPERATION AT 25°C

PARAMETER	MAX	UNITS
PEAK FORWARD CURRENT*	150	mA
STEADY CURRENT	25	mA
POWER DISSIPATION	105	mW
DERATE FROM 25°C	-1.2	mW/°C
OPERATING, STORAGE TEMP.	-40 TO +85	°C
SOLDERING TEMP.	+260	°C
2.0mm FROM BODY		3 SEC. MAX

* $t < 10\mu\text{s}$

NOTES:

- SSH-LXH103 HOLDER.
- SSL-LX3044GD LED.

*UNLESS OTHERWISE SPECIFIED TOLERANCES PER DECIMAL PRECISION ARE: X=±1 (±0.039), X.X=±0.5 (±0.020), X.XX=±0.25 (±0.010), X.XXX=±0.127 (±0.005). LEAD SIZE=±0.05 (±0.002), LEAD LENGTH=±0.75 (±0.030). MIN.=^{+DECIMAL}PRECISION_{-0.00} MAX.=^{+0.00}PRECISION_{-DECIMAL}

REV.	PART NUMBER SSF-LXH103GD
------	-----------------------------

CONFIDENTIAL INFORMATION
THE INFORMATION CONTAINED IN THIS DOCUMENT IS THE PROPERTY OF LUMEX INC. EXCEPT AS SPECIFICALLY AUTHORIZED IN WRITING BY LUMEX INC., THE HOLDER OF THIS DOCUMENT SHALL KEEP ALL INFORMATION CONTAINED HEREIN CONFIDENTIAL AND SHALL PROTECT SAME IN WHOLE OR IN PART FROM DISCLOSURE AND DISSEMINATION TO ALL THIRD PARTIES.



T-3mm SINGLE LEVEL, FAULT INDICATOR,
GREEN LED, GREEN DIFFUSED.

RELIABILITY NOTE
OUR MANY YEARS OF EXPERIENCE DATA ACCUMULATION INDICATE THAT SOLDER HEAT IS A MAJOR CAUSE OF EARLY AND FUTURE FAILURE. PLEASE PAY ATTENTION TO YOUR SOLDERING PROCESS.

DRAWN BY: CT	CHECKED BY:	APPROVED BY:	DATE: 2.1.01 PAGE: 1 OF 1 SCALE: N/A
-----------------	-------------	--------------	--