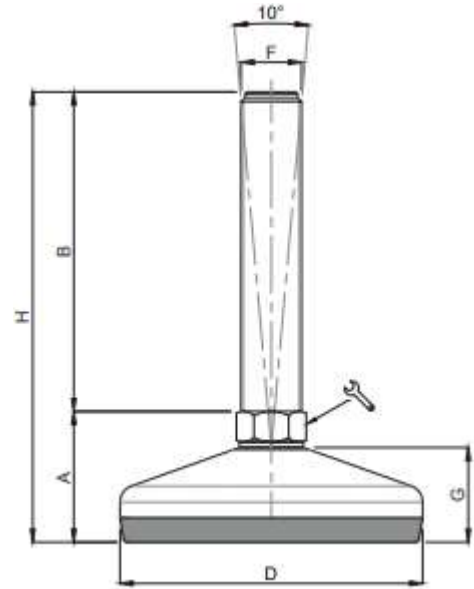




ENGLISH

RS PRO Height Adjustable Mounts

The RS Pro Height Adjustable mounts are used for levelling and support in many applications including lathes, milling machines, machining centers and conveyor systems. The base rubber is made of oil resistant NBR with a Mild Steel Thread.



Article Number	A (mm)	B (mm)	D (mm)	F	G (mm)	H (mm)	Static Load (kg)	Metal Type	Articulation (Degrees)
2245803	37.5	200	100	M16	28	237.5	1500	Mild Steel	10
2245804	37.5	75	100	M16	28	112.5	1500	Mild Steel	10
2245805	38.5	150	100	M20	28	188.5	1500	Mild Steel	10
2245809	41.5	200	120	M20	32	241.5	3000	Mild Steel	10
2245810	41.5	150	120	M24	32	191.5	3000	Mild Steel	10
2245811	41.5	200	120	M24	32	241.5	3000	Mild Steel	10
2245818	32	100	60	M12	22	132	700	Mild Steel	10
2245820	32	150	60	M12	22	182	700	Mild Steel	10