

Mod. G7520 - Fittings Series 7000 - Automation

Product code: G7520 10-1/4

Datasheet creation date: 12/12/2025 08:33

Check the most updated document online [click here](#)

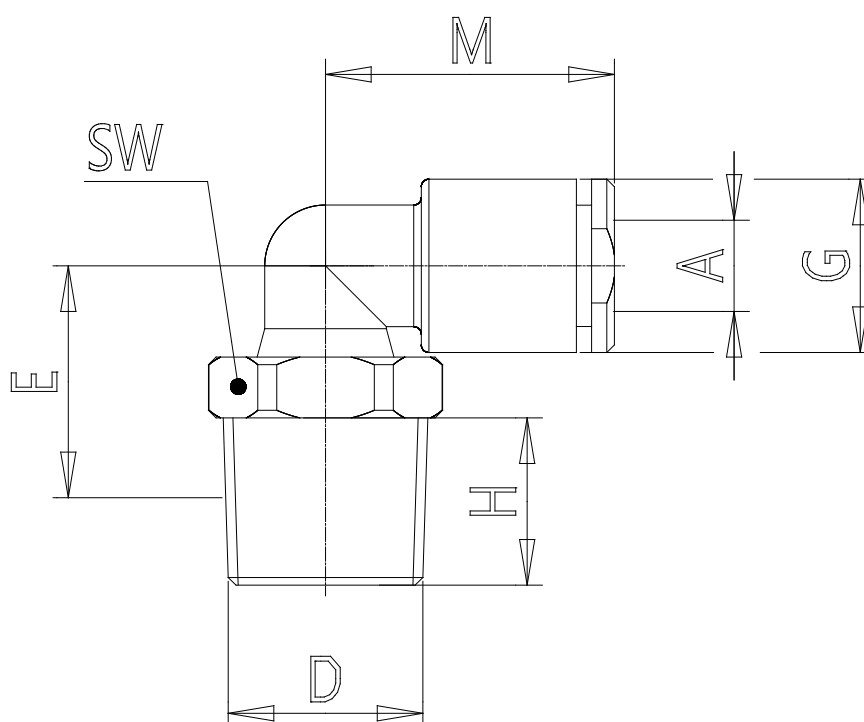


TECHNICAL DATA

Mod.	G7520 10-1/4
------	--------------

Mod. G7520 - Fittings Series 7000 - Automation

Product code: G7520 10-1/4



DIMENSIONS

A (mm)	10
D	R1/4
E (mm)	16.5
G (mm)	16.3
H (mm)	11.0
M (mm)	25.0
SW (mm)	14
Weight (g)	19.0