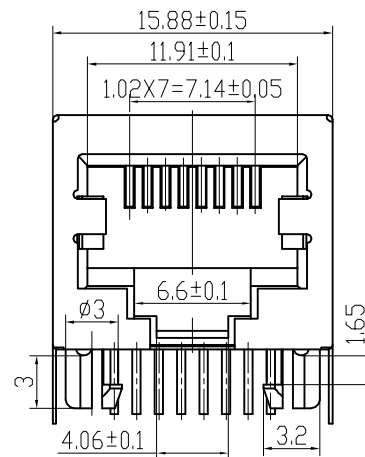
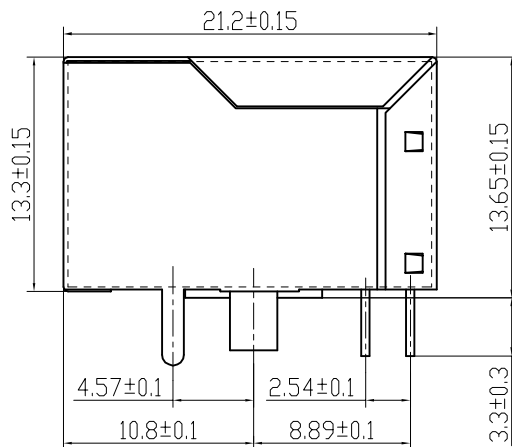


PCB LAYOUT - COMPONENT VIEW



TECHNICAL CHARACTERISTICS

MATERIAL  
 INSULATOR MATERIAL: GLASS FILED PBT  
 FLAMMABILITY RATING UL94-V0  
 COLOUR: BLACK  
 CONTACT MATERIAL: COPPER ALLOY  
 CONTACT TYPE: STAMPED  
 CONTACT PLATING: SELECTIVE GOLD  
 SHIELDING: BRONZE NI PLATED  
 QUALITY CLASS: 500 MATING CYCLES

ENVIRONMENTAL  
 OPERATING TEMPERATURE: -25 °C UP TO 85 °C  
 COMPLIANCE: LEAD FREE AND ROHS

ELECTRICAL  
 CURRENT RATING: 1.5 A  
 WORKING VOLTAGE: 120 VAC  
 INSULATION RESISTANCE: >500 MOHM  
 DIELECTRIC WITHSTANDING VOLTAGE: 1 000 VAC/MN  
 CONTACT RESISTANCE: 20 mOHM MAX

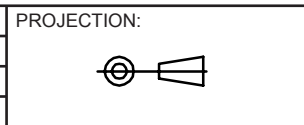
STANDARD  
 CERTIFIED: E324776 / MODEL NUMBER 615-HStd

SOLDERING  
 WAVE PROCESS ONLY

PACKAGING  
 TRAY

RoHS Compliant

G			
F			
E			
D			
C	06-OCT-09	UL STANDARD	JP
B	19-FEB-08	PIN 1 & 8 POSITION	CH
A	21-NOV-07	PDF	CH
REV	DATE	FILE	BY



GENERAL TOLERANCE  
 .X = +/- 0.2  
 .XX = +/- 0.15



APPROVAL: RJ

UNIT: MM  
 SCALE:  
 SHEET: 1/1  
 DRAW:

DESCRIPTION: SHIELDED 8P8C MODULAR JACK TAB DOWN  
 WERI PART NO: 615 008 142 21

SIZE  
**A4**