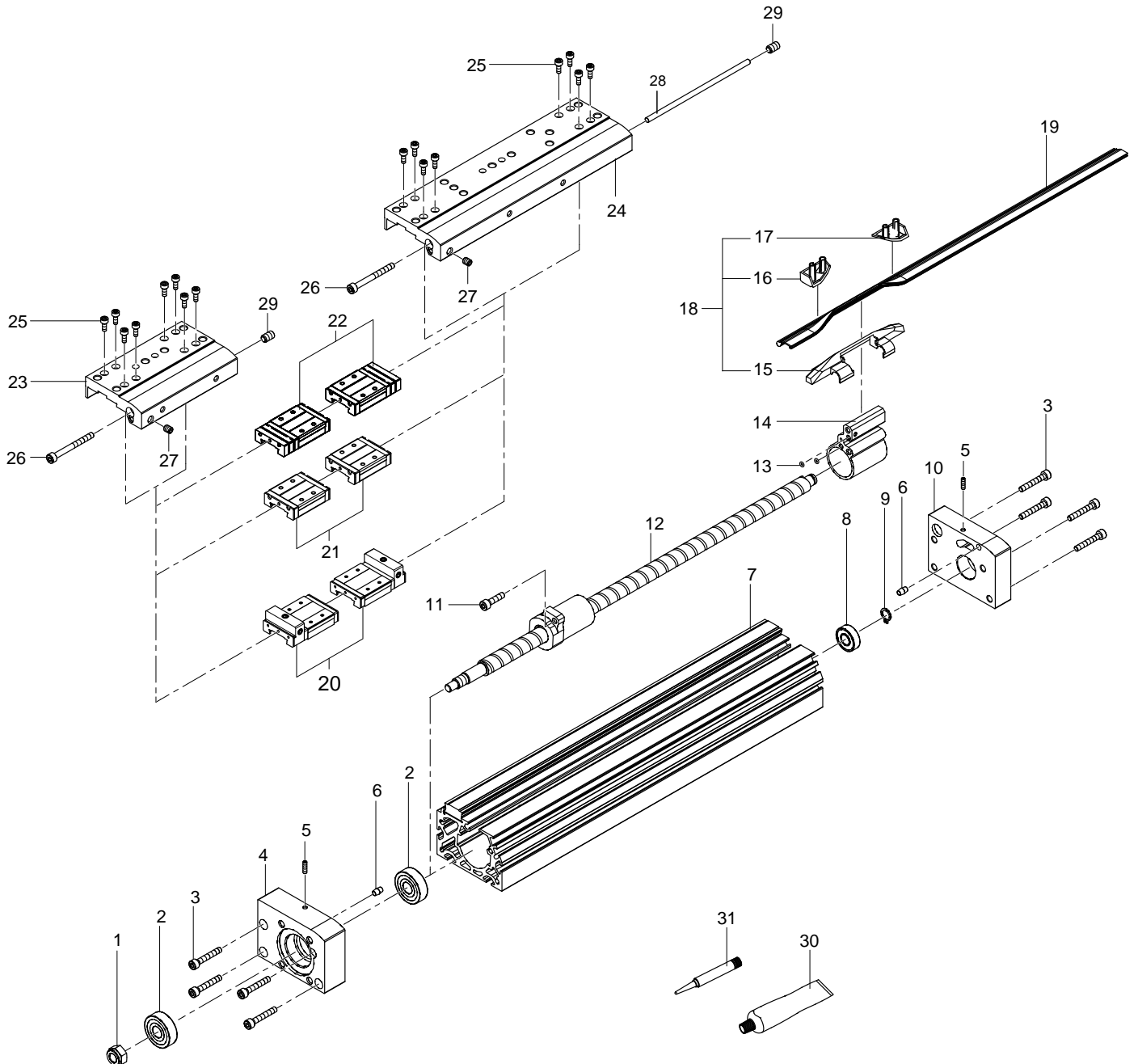


3013388 EGC-70-100-BS-10P-KF-0H-ML-GK Ball screw axis - Series: All



3013388 EGC-70-100-BS-10P-KF-0H-ML-GK Ball screw axis - Series: All

Pos.	Part no.	Type	Note	Qty.	Unit
1	349321	DIN 985-M8X1-8 Hex nut		1	PC
2		D625-629-2RS Deep groove ball bearing	Not available separately, see position 998	2	PC
3	205778	ISO 4762-M4X25-8.8 Socket head screw	Tightening torque 2.5 Nm / 1.8 lbf ft Use locking compound. See position 31	8	PC
4	717776	EGC-70-BS:LI clevis foot		1	PC
5	656095	ISO 4026-M3X10-45H Threaded pin	Tightening torque 0.1 Nm / 0.1 lbf ft Use locking compound. See position 31	2	PC
6	686823	4,7X7,5 Buffer element		2	PC
7		EGC-70-BS-KF Cylinder barrel module	Not available	1	PC
8		D616-698-2RS Deep groove ball bearing	Not available separately, see position 998	1	PC
9	200617	DIN 471-8X0,8 Retaining ring		1	PC
10	717758	EGC-70-BS:RE Bearing cap		1	PC
11	200664	ISO 4762-M4X16-8.8 Socket head screw	Tightening torque 2.5 Nm / 1.8 lbf ft Use locking compound. See position 31	1	PC
12	743153	EGC-70- -YB- Ball screw	When ordering please specify the configuration (see type plate) Repair note: Spindle_support	1	PC
13	222032	B-2X1-N-NBR70 O-ring ISO3601		2	PC
14	722880	EGC-70-BS Retainer module	Attention, please order position 13 as well	1	PC
15		EGC-70-BS: U Belt reversal	Not available separately, see position 18	1	PC
16		EGC-70/80-BS: O_LI Belt reversal	Not available separately, see position 18	1	PC
17		EGC-70/80-BS: O_RE Belt reversal	Not available separately, see position 18	1	PC
18	739502	EGC-70-BS ET Belt reversal		1	PC
19	743144	EGC-70- -YA- Cover strip	When ordering please specify the configuration (see type plate) Grease using during assembly. See position 30	1	PC
20	8114782	EGC-70-C Roller carriage	Attention! It is essential that the information in the repair manual be closely observed! Grease using during assembly. See position 30	1	PC
21	716519	EGC-70-KF-GK/GV Roller carriage	Attention! It is essential that the information in the repair manual be closely observed! Grease using during assembly. See position 30	1	PC
22	722900	EGC-70-KF-GP/GQ Roller carriage	Attention! It is essential that the information in the repair manual be closely observed! Grease using during assembly. See position 30	1	PC
23	717788	EGC-70-BS-KF-GK/GP Slide module		1	PC
24	717792	EGC-70-BS-KF-GV/GQ Slide module		1	PC
25	723976	ISO 4762-M3X8-12.9 Socket head screw	Tightening torque 2.5 Nm / 1.8 lbf ft Use locking compound. See position 31	8	PC
26	200667	ISO 4762-M4X40-8.8 Socket head screw	Tightening torque 2.5 Nm / 1.8 lbf ft Use locking compound. See position 31	1	PC

Pos.	Part no.	Type	Note	Qty.	Unit
27	232491	ISO 4026-M6X6-45H Threaded pin	Use locking compound. See position 31	1	PC
28	717742	EGC-70-BS Rod		1	PC
29		ISO 4026-M6X10-45H Threaded pin	Not available Tightening torque 1 Nm / 0.7 lbf ft Use locking compound. See position 31	1	PC
30	684474	LUB-KC1 SILIKONFREI 20ML Lubricating grease		1	PC
31	8181256	CYBERBOND TM44 TB1ML Adhesive bonding agent		1	PC
99 8	739506	EGC/ELGA-70-BS ET Bearing module		1	PC