

## Mod. G7560 - Fittings Series 7000 - Automation

Product code: G7560 8

Datasheet creation date: 11/12/2025 09:36

Check the most updated document online [click here](#)

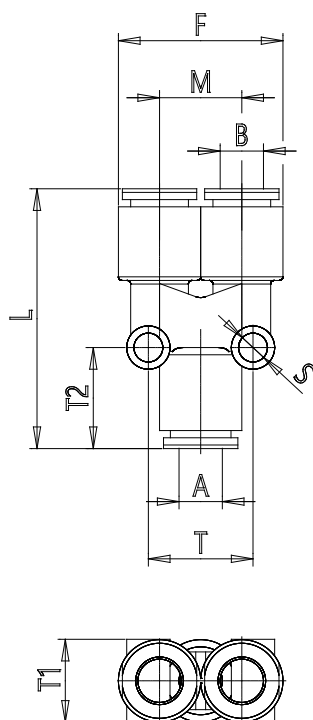


### TECHNICAL DATA

Mod.	G7560 8
------	---------

## Mod. G7560 - Fittings Series 7000 - Automation

Product code: G7560 8



### DIMENSIONS

<b>A (mm)</b>	8
<b>B (mm)</b>	8
<b>F (mm)</b>	27.2
<b>L (mm)</b>	40.5
<b>M (mm)</b>	13.5
<b>S (mm)</b>	4
<b>T (mm)</b>	17.0
<b>T1 (mm)</b>	14.0
<b>T2 (mm)</b>	15.0
<b>Weight (g)</b>	15.0