

**Ordering number FA11824_TINA3-W**

Family	Tina3	FWHM	52 degrees
Type	Assembly	Efficiency	87 %
LED	CL-L400	cd/lm	1.060
Color	White	Gerber File	Available
Diameter	16.1 mm		
Height	6.9 mm		
Style	Round		
Optic Material	PMMA		
Holder Material	PC		
Fastening	Pin, tape		
Status	Ready		

Ordering number FA11825_TINA3-WW

Family	Tina3	FWHM	64 degrees
Type	Assembly	Efficiency	87 %
LED	CL-L400	cd/lm	0.750
Color	White	Gerber File	Available
Diameter	16.1 mm		
Height	6.9 mm		
Style	Round		
Optic Material	PMMA		
Holder Material	PC		
Fastening	Pin, tape		
Status	Ready		

Ordering number FA11826_TINA3-WWW

Family	Tina3	FWHM	82 degrees
Type	Assembly	Efficiency	86 %
LED	CL-L400	cd/lm	0.500
Color	White	Gerber File	Available
Diameter	16.1 mm		
Height	6.9 mm		
Style	Round		
Optic Material	PMMA		
Holder Material	PC		
Fastening	Pin, tape		
Status	Ready		

NOTE: The typical divergence will be changed by different color, chip size and chip position tolerance. The typical total divergence is the full angle measured where the luminous intensity is half of the peak value.



PRODUCT DATASHEET

Tina3 series

last update 9/4/2013

CITIZEN

GENERAL INFORMATION

- Product series especially designed & optimized for CL-L400 series of LEDs.
- Special care taken to make light distribution as uniform as possible.
- Lens material optical grade PMMA with high UV and temperature resistance. Allows use of high current and temperature conditions.

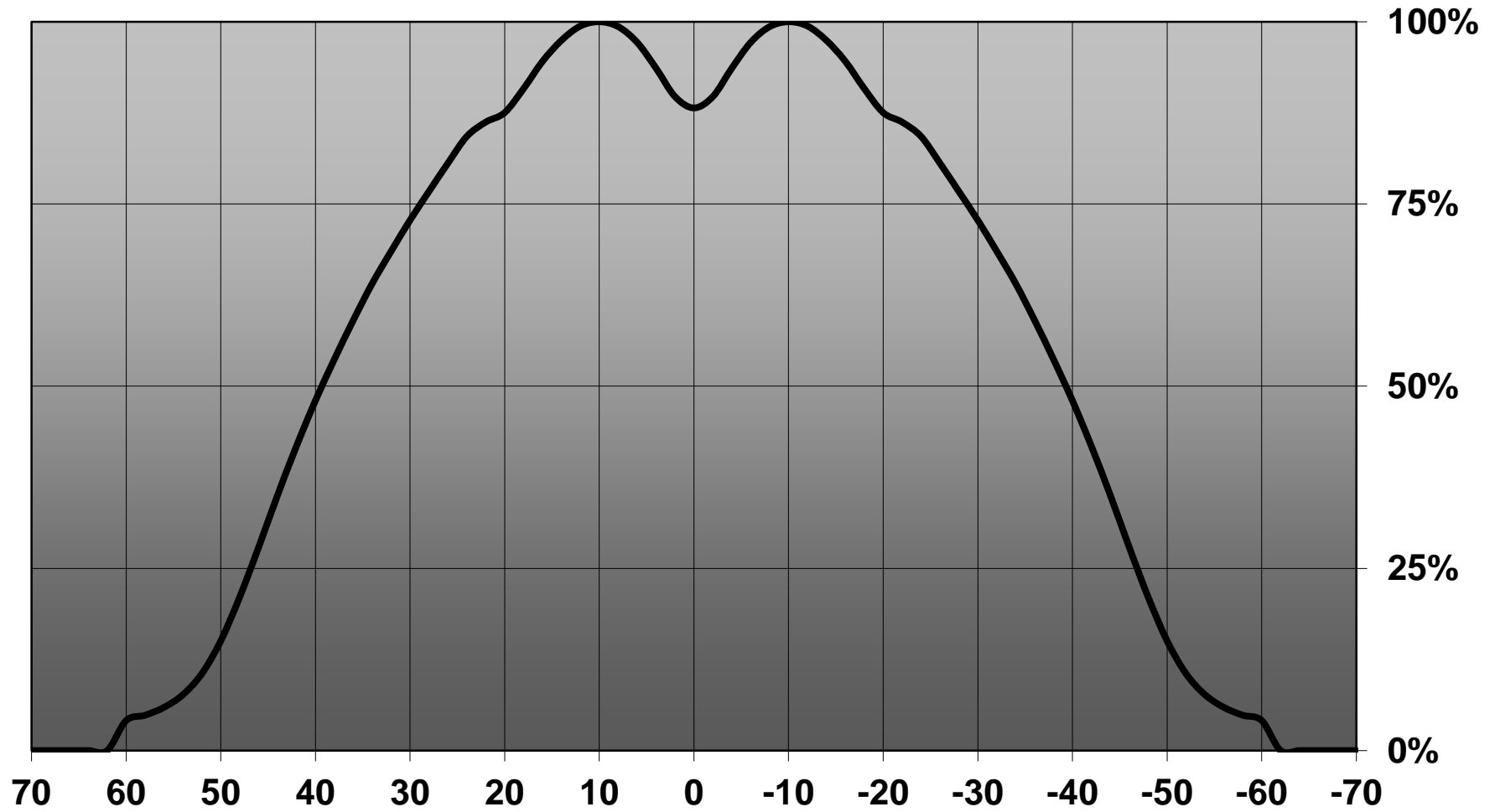
Please find more information about used material from below:

http://ledil.fi/sites/default/files/Documents/Technical/Material/PMMA%20N%20UL94_Yellow%20Card.pdf

<http://ledil.fi/sites/default/files/Documents/Technical/Material/PMMA%20N%20PLEXIGLAS-Datasheet.pdf>

- Optic holder molded by high quality PC material (120 degrees of Celcius / 248 degrees of Fahrenheit).

Relative intensity of FA11826_Tina3-WWW-XP-G



D

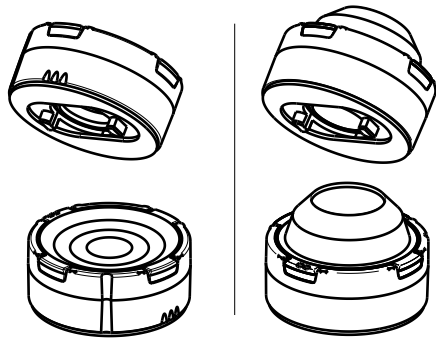
C

B

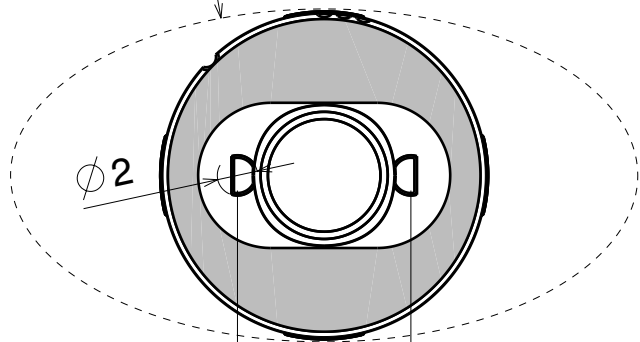
A

4

4



Oval beam direction

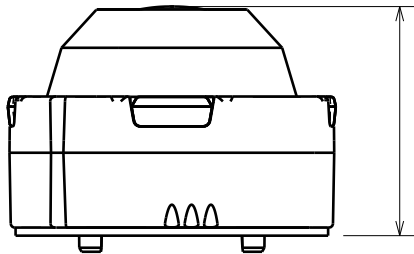


8.6

c / c

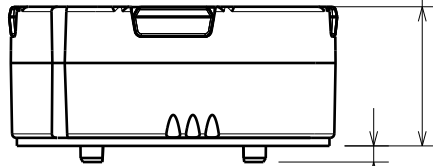
3

3



11.4

Spot version height

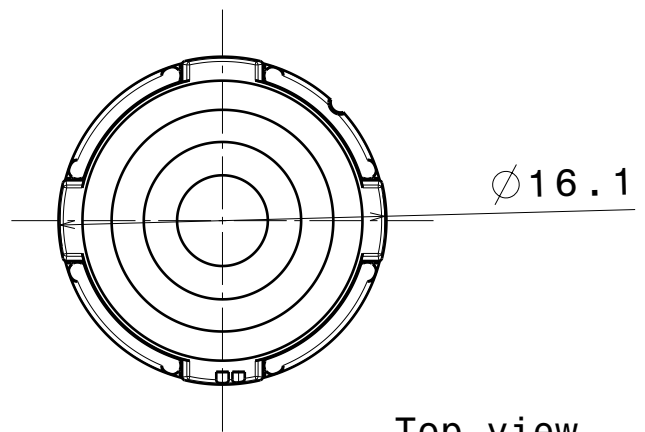


6.9

0.8

2

2



∅ 16.1

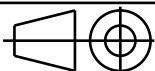
Top view

Tolerances if not otherwise shown
 According to DIN ISO 2768-1
 Linear measures:
 Up to 30mm class F, otherwise class M.
 According to DIN ISO 2768-2
 Form and position: class K

LEDiL

Ledil Oy
 Salorankatu 10
 FIN 24240 SALO
 Finland

THIRD ANGLE PROJECTION:



DRAWING TITLE

TINA3 Datasheet

This drawing is the property
 of LEDiL Oy. It may not be
 reproduced, copied or
 communicated without a written
 agreement with LEDiL Oy."

SIZE

PART NUMBER

A4

-

SCALE

4:3

WEIGHT

-

SHEET

1/1

D

A

1

1