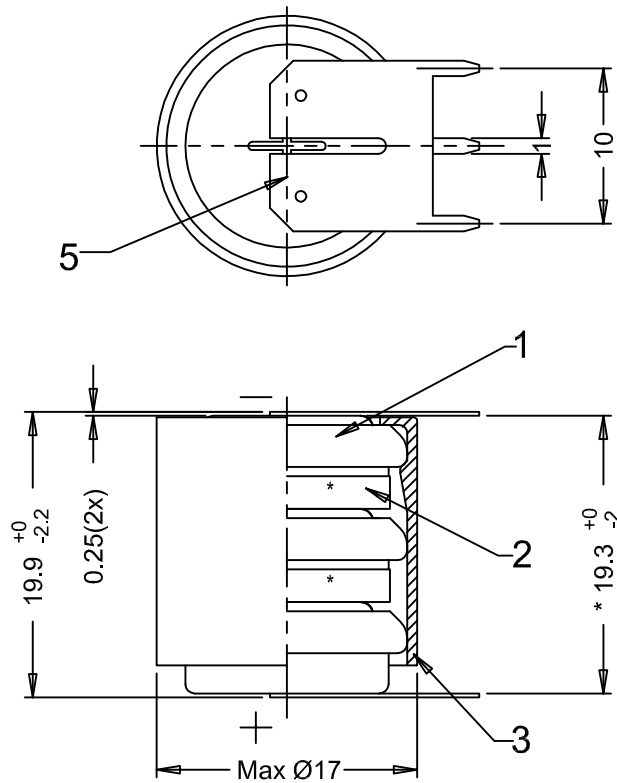

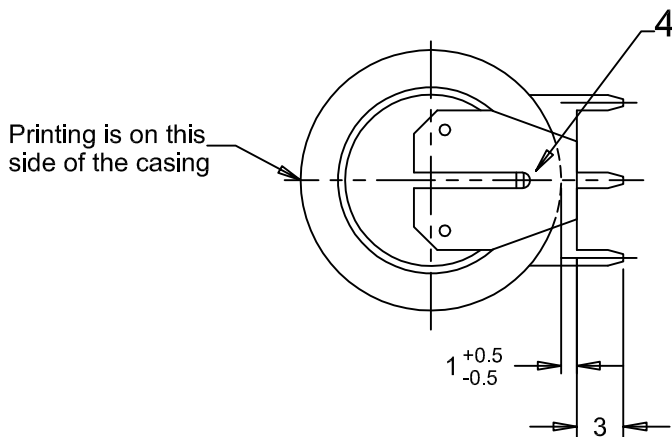


This is a controlled document.
 Hardcopy to be endorsed by authorised person.
 Check with Issuing Office or SAP system for latest update.



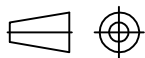
VARTA
 Ni-MH 3/V80H
 3.6V 70mAh
 +  QQY



Note: 1) No welding onto the groove
 2)* Dimensions for reference only

Approx. wt : 12.0g

1	R320/08	Add cross wheeled bin	2008-10-05	Eka
No	AO No	Revisions	Date	Name

Material:		Description:		
Refer to part list no: 070973		3/V80H battery with snap-on plastic casing & solder tags		
Projection: 	Prepared & Checked	Verified & Approved	Dwg. No: 070973	401
Dimensions in mm	1997-11-10	A.P.ANG	VKB Order No: 55608 603 059	
Tolerance: As specified				
Scale: 2 : 1				

Rights reserved to make technical changes, as a result of further development, without notice. This drawing is the property of VARTA Microbattery and must not be copied or disclosed to a third party without the written consent of VARTA Microbattery.

