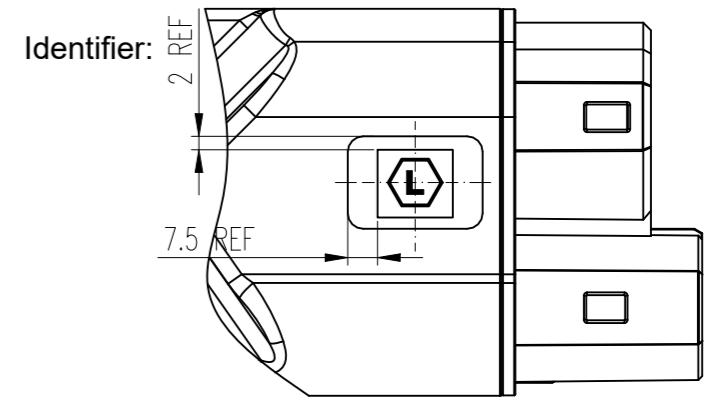
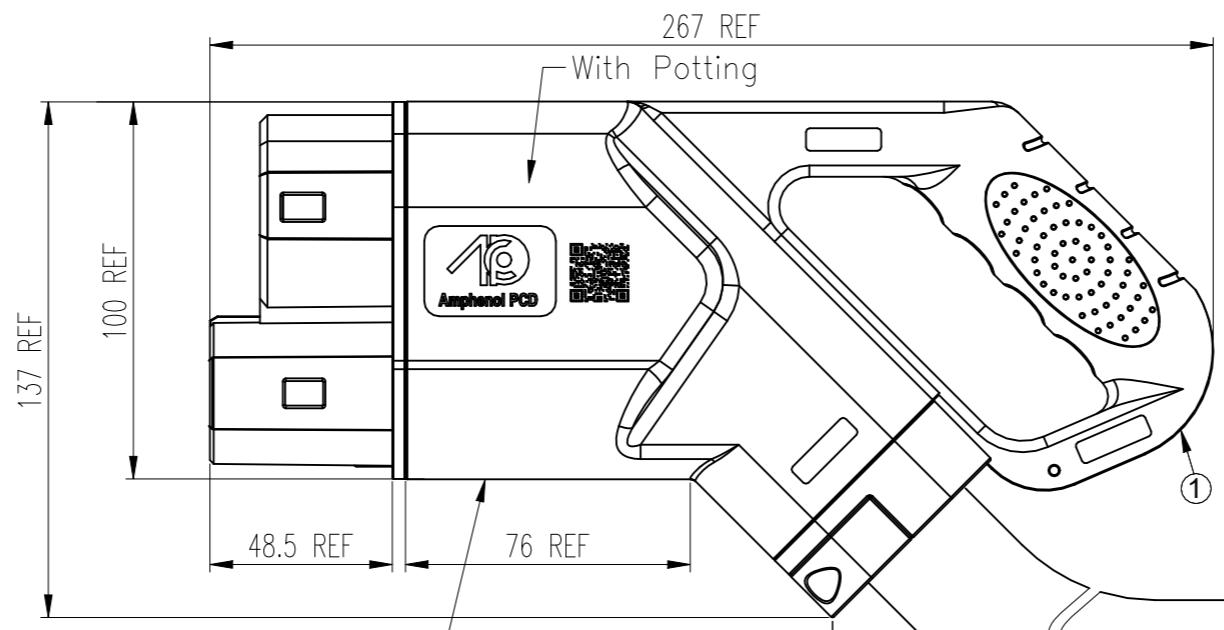
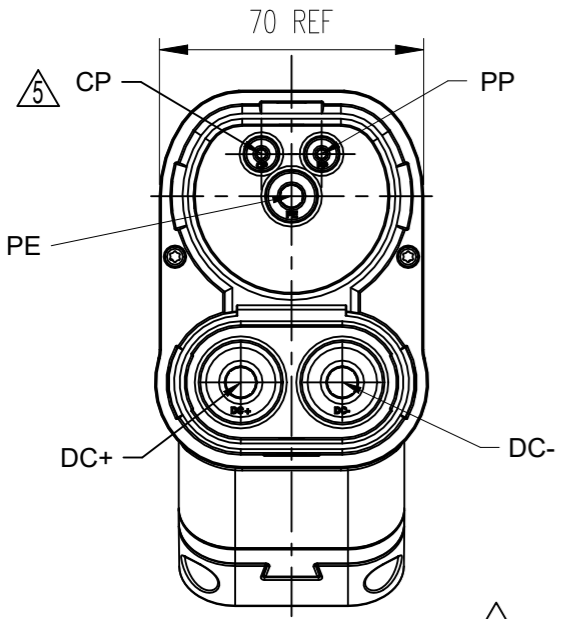


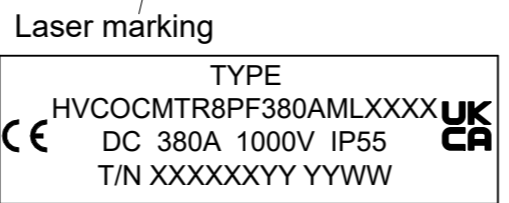
REV	ECN	DESCRIPTION	DATE	MODIFIED
1		RELEASE	Dec-08-2023	Max.Ma
2	R7825N	ADDED 400A CURRENT NOTE	Feb-20-2024	Max.Ma
3	R7957N	UPDATE LABEL TEXT ON METERING WIRES&NOTE	Mar-29-2024	Elanor.Fu
4	C7957N	UPDATED NOTE	Aug-06-2024	Elanor.Fu

Amphenol PCD SZ
ORIGINAL
PDF Format
R&D

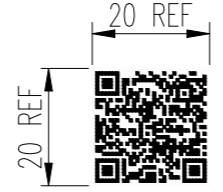


MODE OF CONNECTION:

Label	Wire Size	Color	Function
DC+	2 x 50mm ²	Red	DC+
DC+	0.75mm ²	Brown	HV 1KV Metering+
DC+ Thermistor PT1000	0.75mm ²	White	T1+
DC+	0.75mm ²	Violet	T1-
DC-	2 x 50mm ²	Black	DC-
DC-	0.75mm ²	Blue	HV 1KV Metering-
DC- Thermistor PT1000	0.75mm ²	Orange	T2+
DC-	0.75mm ²	White&Black	T2-
PE I	6mm ²	Yellow&Green*	PE
PP I	No cable		PP
CP I	0.75mm ²	Gray	CP

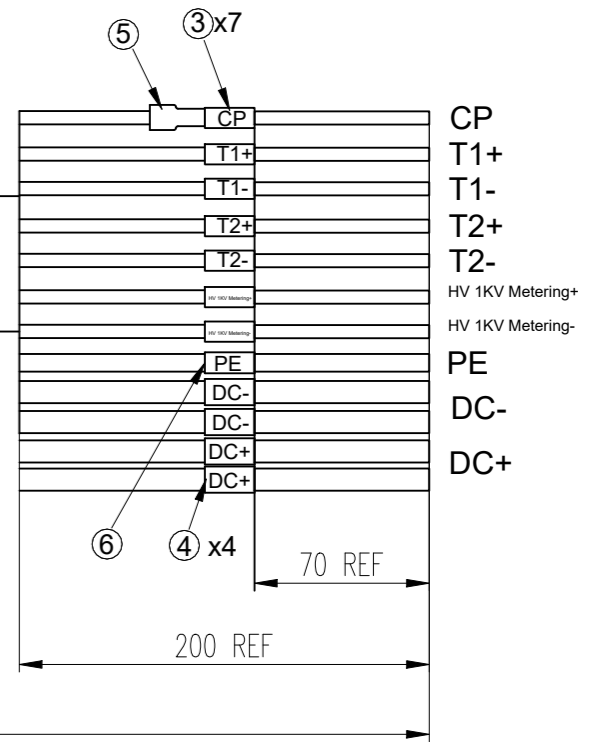


YYWW:Year/Week
XXXXXXYY:Work order number+batch number
LXXXX:XXXX=Cable length



QR code Content including:
Part number
#Work order number
#Serial number ex:0001
(ex:HVCOCMTR8PF380AML5000#XXXXXX#XXXX)

LENGTH	TOLERANCE
1 to 1000mm	±50
1001 to 5000mm	±100
>5000mm	±200



4

- *Notes:
- Cable Assembly Data:
Storage temperature: -40°C to +80°C
Ambient Temperature: -40°C to +50°C, (+55°C max,
Current reduction required, when the working temperature is beyond 90°C)
Rated Voltage: 1000V DC (DC+, DC-); 30V DC (CP, PP);
Rated Current: CP, PP:2A Max;
DC+, DC-: 380A(continuous@RT); 500A(20 minutes max@RT); 600A(10 minutes max@RT);
400A passed internal test in convection cabin
Insulation Resistance: DC 1000V 100MΩ Min (DC+, DC-, PE)
DC 500V 100MΩ Min (CP, Thermistor wires, Metering wires);
Withstand Voltage: 3000V AC (DC+, DC-, PE);
500V AC (CP, Thermistor wires, Metering wires);
IP-Class: IP55(mated); IP67, IP69 (enclosure/initial)
Durability: 20000 cycles
RoHS Compliance

- IEC Plug reference: C-HVCOCMTR8PFXXXAL0000
- Reference For, IEC 62196-3;EN17186
- Cable minimum bending radius: 10 OD
- For HV 1KV Metering wires: Please protect with insulated material at the tail if don't use both wires
- *Ground wire is suitable for isolated DC EV supply equipment as reference earth or function earth.

3

DIMENSIONS	TOLERANCES	PROJECTION
ANSI Y14.5M	.X ± 0.5	
UNITS: MM	.XX ±0.05	
CAD FILE	ANGLES ±2.0°	

ITEM	P/N	DESCRIPTION	QTY	UNIT
⑥	C210000081	SINGLE-WALL H.S.T: Ø5.0 WHITE	0.02	m
⑤	C210006341	DOUBLE-WALL H.S.T: Ø6 BLACK	0.06	m
④	C210006511	SINGLE-WALL H.S.T: Ø12.7 WHITE	0.12	m
③	C210006837	SINGLE-WALL H.S.T: Ø3.2 WHITE	0.14	m
②	Cable	4x50mm ² +6mm ² +8x0.75mm ² OD=35.5±1mm BK	AR	m
①	HVCOCMTR8PF380AML0000	CCS2 380A PLUG BLACK	1	EA

DIMENSIONS		TOLERANCES		PROJECTION		TITLE	
ANSI Y14.5M		.X ± 0.5				Amphenol PCD Shenzhen	
UNITS: MM		.XX ±0.05				ENGR Max. Ma Dec-08-2023	
CAD FILE		ANGLES ±2.0°				CHKD <i>Jouk</i>	
ORIGINAL		THIS DOCUMENT CONTAINS PROPRIETARY INFORMATION WHICH IS THE CONFIDENTIAL PROPERTY OF Amphenol PCD Shenzhen Co. Ltd. Amphenol PCD Shenzhen Co. Ltd RESERVES THE RIGHT TO CLARIFY THIS DRAWING		APPD <i>Ben</i>		SIZE A3	DWG NO. C-HVCOCMTR8PF380AMLXXXX
						SCALE 1:2	SHEET 1 OF 1

C-HVCOCMTR8PF380AMLXXXX