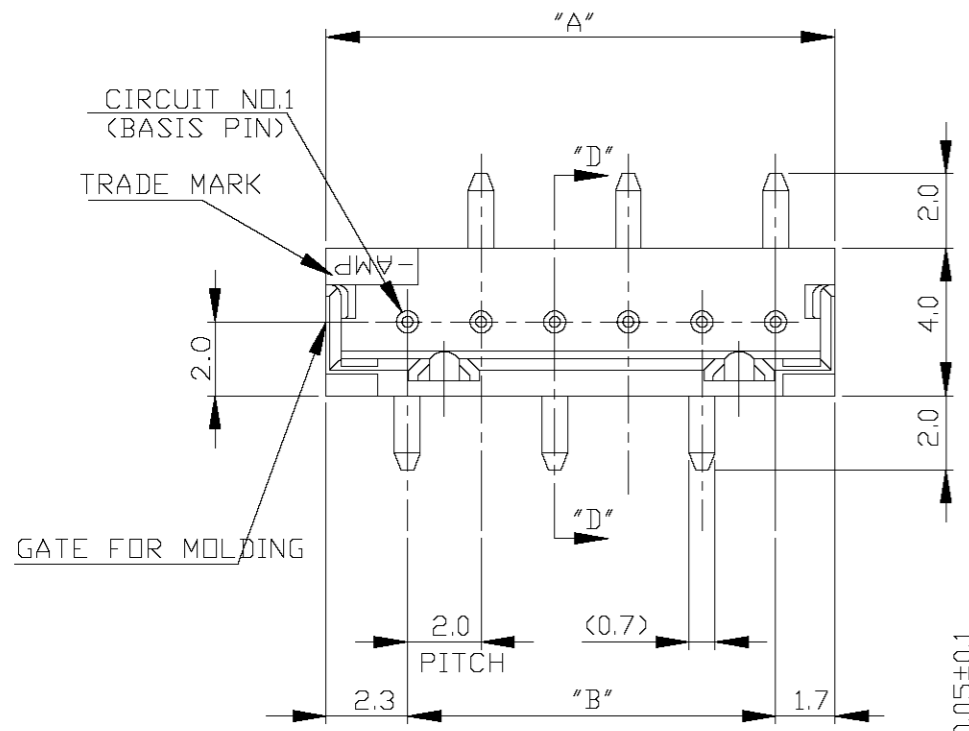
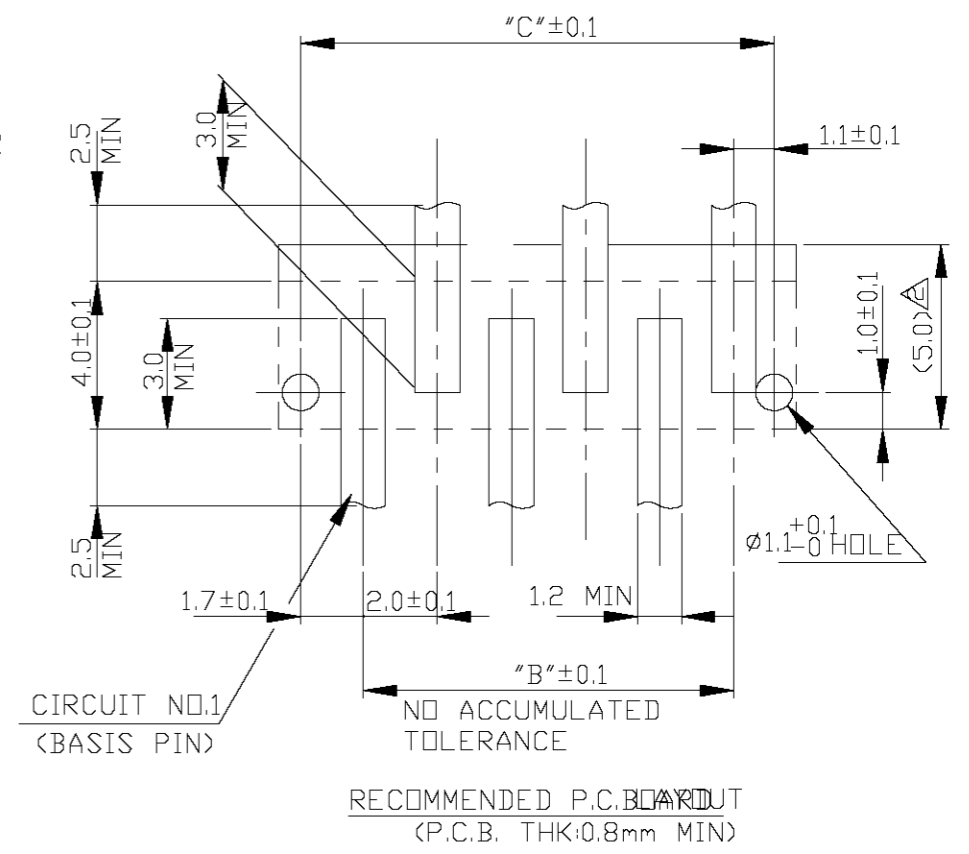
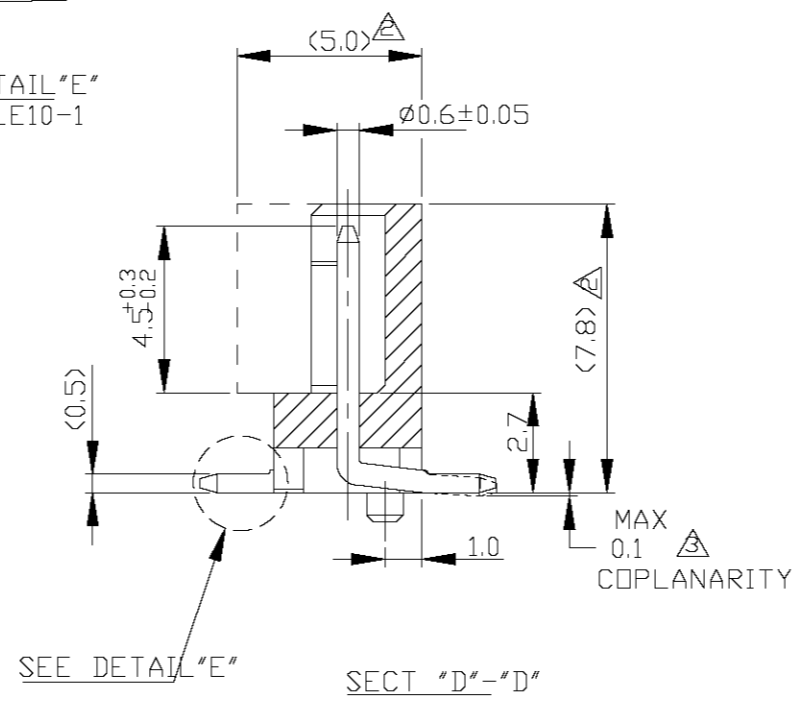
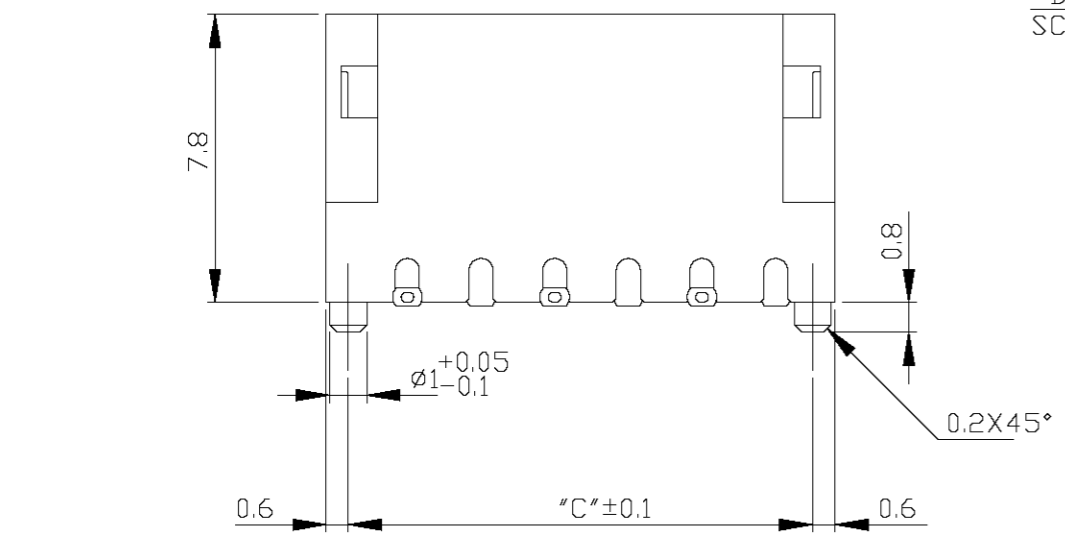
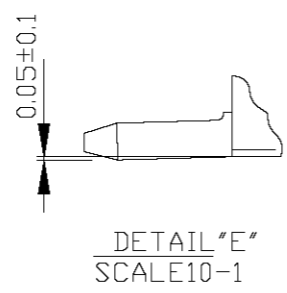


THIS DRAWING IS UNPUBLISHED. RELEASED FOR PUBLICATION  
 © COPYRIGHT BY TYCO ELECTRONICS CORPORATION. ALL RIGHTS RESERVED.

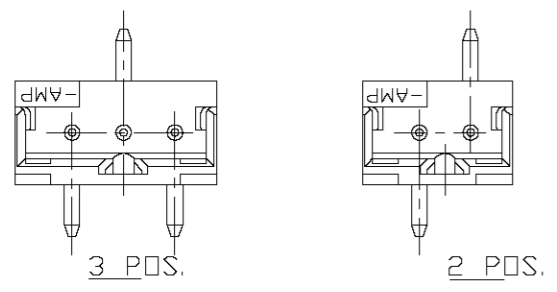
LOC		DIST		REVISIONS					
FB		00		P	LTR	DESCRIPTION	DATE	DWN	APVD
				A	REVISED	ECR-05-000512	19JAN06	C.W	S.Y



- MATERIAL: HOUSING-6T PA G.F.30%(UL94V0)  
 COLOR- BLACK OR NATURAL  
 POST- TIN BRASS
- △ OCCUPANT AREA ON PC BOARD  
 (AFTER CONNECTOR MATING)
- △ TO BE MEASURED WITH CONNECTOR PLCD ON  
 HORIZONTAL DATUM SURFACE, FLOAT OF SOLDER  
 TINE FROM DATUM SURFACE IS 0.1mm MAX.
- TUBE P/N 8-720999-6
- PRODUCT MUST COME OUT SMOOTHLY FROM  
 TUBE AT INCLINING THE TUBE TO 45°



QTY'S/ TUBE	"A"	"B"	"C"	POS.	NATURAL	BLACK
20	20.0	16.0	18.8	9	6-292171-9	292171-9
25	18.0	14.0	16.8	8	6-8	8
30	16.0	12.0	14.8	7	6-7	7
30	14.0	10.0	12.8	6	6-6	6
40	12.0	8.0	10.8	5	6-5	5
45	10.0	6.0	8.8	4	6-4	4
60	8.0	4.0	6.8	3	6-3	3
80	6.0	2.0	4.8	2	6-292171-2	292171-2



TOLERANCES UNLESS OTHERWISE SPECIFIED:

10**	: ±0.2
30**>10	: ±0.25
100**>30	: ±0.3
ANGEL	: ±3°

THIS DRAWING IS A CONTROLLED DOCUMENT.

DIMENSIONS: mm	TOLERANCES UNLESS OTHERWISE SPECIFIED: 0 PLC ± 1 PLC ± 2 PLC ± 3 PLC ± 4 PLC ± ANGLES ±	DWN J.JIANG 23JAN03	<p>Tyco Electronics Corporation Harrisburg, Pa 17105-3608</p>
MATERIAL	FINISH ±	CHK S.YAO 23JAN03	
		APVD T.SASAKI 23JAN03	
		PRODUCT SPEC 108-60016	
		APPLICATION SPEC	NAME
		WEIGHT	TUBE PACKING AMP CT CONN POST HDR ASS'Y (STD-V SMT)
		CUSTOMER DRAWING	SIZE A3 CAGE CODE 00779 DRAWING NO C=292171 RESTRICTED TO
		SCALE 1:1	SHEET 1 OF 1 REV A