

5749085-9 x OBSOLETE

AMPLIMITE | AMPLIMITE 0.50 Series

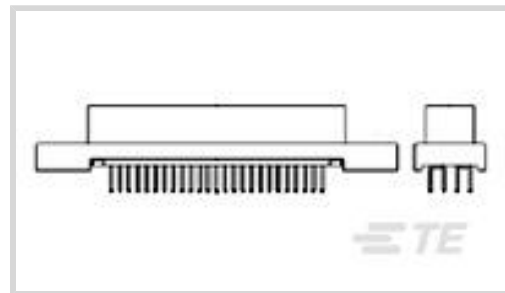
TE Internal #: 5749085-9

TE Internal Description: 100 50SR VRT PLUG ASSY

[View on TE.com >](#)



Connectors > D-Shaped Connectors



Number of Positions: **100**

Connector & Housing Type: **Plug**

Connector System: **Cable-to-Board**

Connector Mounting Type: **Board Mount**

Centerline (Pitch): **1.27 mm [.05 in]**

Features

Product Type Features

Shell Material Configuration	Full Metal Shell
Connector & Housing Type	Plug
Connector System	Cable-to-Board
Connector & Contact Terminates To	Printed Circuit Board

Configuration Features

Number of Positions	100
Number of Rows	4
PCB Mount Orientation	Vertical

Body Features

Shell Plating Material	Tin over Copper
Primary Product Color	Black
Connector Profile	Standard

Contact Features

	30 µin
Contact Underplating Material	Palladium Nickel
Contact Mating Area Plating Material	Gold or Gold Flash
Contact Base Material	Phosphor Bronze
PCB Contact Termination Area Plating Material	Tin
Contact Shape & Form	Round

Contact Current Rating (Max)	.4 A, .5 A
------------------------------	------------

Contact Options	Installed
-----------------	-----------

Termination Features

Termination Method to PCB	Through Hole - Solder
---------------------------	-----------------------

Termination Post & Tail Length	3.18 mm[.125 in]
--------------------------------	------------------

Square Termination Post & Tail Dimension	.38 mm[.015 in]
--	-----------------

Mechanical Attachment

Mounting Feature Plating Material	Nickel over Copper
-----------------------------------	--------------------

Mounting Feature Material	Zinc
---------------------------	------

Mounting Hole Diameter	3.18 mm[.125 in]
------------------------	------------------

Mating Alignment	Without
------------------	---------

PCB Mount Alignment	Without
---------------------	---------

Connector Mounting Type	Board Mount
-------------------------	-------------

PCB Mount Retention	With
---------------------	------

PCB Mount Retention Type	Mounting Hole
--------------------------	---------------

Mating Retention	Without
------------------	---------

Mating Retention Type	Screwlocks
-----------------------	------------

Housing Features

Housing Material	Polyester
------------------	-----------

Shell Material	Steel
----------------	-------

Centerline (Pitch)	1.27 mm[.05 in]
--------------------	-----------------

Dimensions

Row-to-Row Spacing	2.54 mm[.1 in]
--------------------	----------------

Usage Conditions

Operating Temperature Range	-55 – 105 °C[-67 – 221 °F]
-----------------------------	----------------------------

Operation/Application

Shielded	Yes
----------	-----

Circuit Application	Signal
---------------------	--------

Industry Standards

UL Flammability Rating	UL 94V-0
------------------------	----------

Packaging Features

Packaging Quantity	6
--------------------	---

Packaging Method Tube

Product Compliance

[For compliance documentation, visit the product page on TE.com>](#)

EU RoHS Directive 2011/65/EU	Compliant
EU ELV Directive 2000/53/EC	Compliant
China RoHS 2 Directive MIIT Order No 32, 2016	No Restricted Materials Above Threshold
EU REACH Regulation (EC) No. 1907/2006	Current ECHA Candidate List: JAN 2025 (247) Candidate List Declared Against: JAN 2021 (211) Does not contain REACH SVHC
Halogen Content	Not Low Halogen - contains Br or Cl > 900 ppm.
Solder Process Capability	Reflow solder capable to 260°C

Product Compliance Disclaimer

This information is provided based on reasonable inquiry of our suppliers and represents our current actual knowledge based on the information they provided. This information is subject to change. The part numbers that TE has identified as EU RoHS compliant have a maximum concentration of 0.1% by weight in homogenous materials for lead, hexavalent chromium, mercury, PBB, PBDE, DBP, BBP, DEHP, DIBP, and 0.01% for cadmium, or qualify for an exemption to these limits as defined in the Annexes of Directive 2011/65/EU (RoHS2). Finished electrical and electronic equipment products will be CE marked as required by Directive 2011/65/EU. Components may not be CE marked. Additionally, the part numbers that TE has identified as EU ELV compliant have a maximum concentration of 0.1% by weight in homogenous materials for lead, hexavalent chromium, and mercury, and 0.01% for cadmium, or qualify for an exemption to these limits as defined in the Annexes of Directive 2000/53/EC (ELV). Regarding the REACH Regulation, the information TE provides on SVHC in articles for this part number is based on the latest European Chemicals Agency (ECHA) 'Guidance on requirements for substances in articles' posted at this URL: <https://echa.europa.eu/guidance-documents/guidance-on-reach>

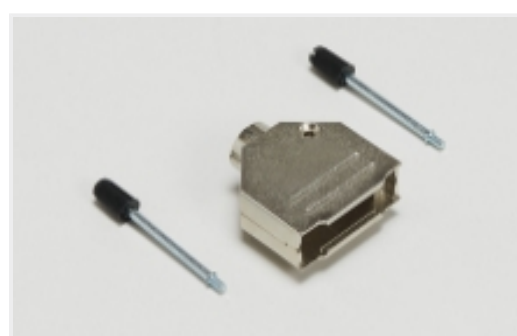
Also in the Series | **AMPLIMITE 0.50 Series**



Connector Hardware(6)



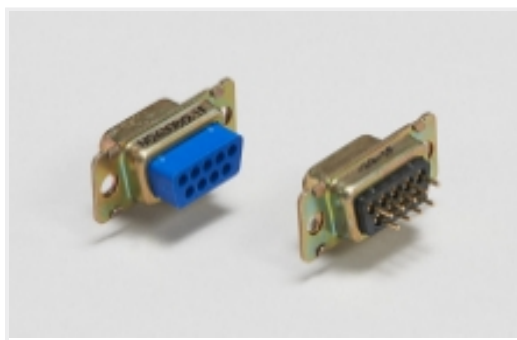
D-Shaped Connectors(234)



D-Sub Backshells & Clamps(20)

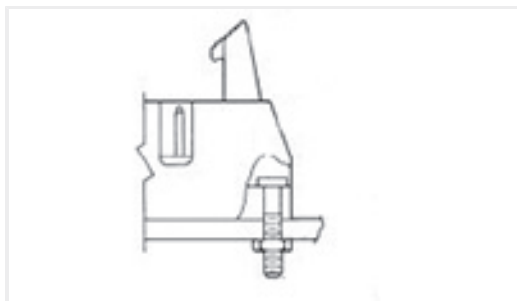


IDC D-Sub Connectors(63)



Panel Mount D-Sub Connectors(27)

Customers Also Bought

TE Part #102198-1
A/L HARDWARE FOR EJECTION KITTE Part #747520-2
HDP-20, OVRMLD PLUG SUBASSY, SIZTE Part #747521-2
HDP-20, OVRMLD RCPT SUBASSY, SIZTE Part #1218125-5
50 POS, ASSY, PLUG, LOW PROF, 109TE Part #5-1676480-7
CRG0402 1% 39KTE Part #1757820-7
AMPLIMITE, ASY, RCPT, STD, 109, ZN, 2, CTTE Part #1757828-5
AMPLIMITE, RCPT ASY, POSTD, 109, ZN, 5TE Part #6-2176093-8
RP 2A 0.25W 52K3 0.1% 25PPM 1K RLTE Part #1-2176364-0
RQ 0402 5K76 0.1% 10PPM 5K RLTE Part #5145154-8
STANDARD EDGE .050 SERIES 60 DUAL ASSY

Documents

CAD Files

[3D PDF](#)

[3D](#)

Customer View Model

[ENG_CVM_CVM_5749085-9_A.2d_dxf.zip](#)

English

Customer View Model

[ENG_CVM_CVM_5749085-9_A.3d_igs.zip](#)



English

Customer View Model

[ENG_CVM_CVM_5749085-9_A.3d_stp.zip](#)

English

By downloading the CAD file I accept and agree to the [Terms and Conditions](#) of use.

Product Specifications

[Application Specification](#)

English

Agency Approvals

[UL](#)

English