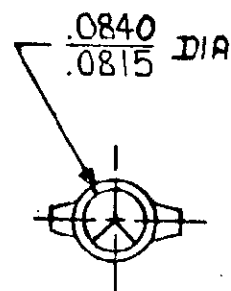
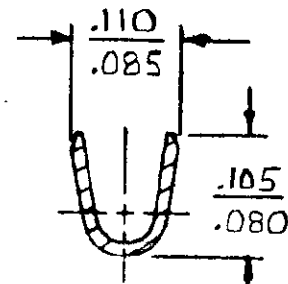
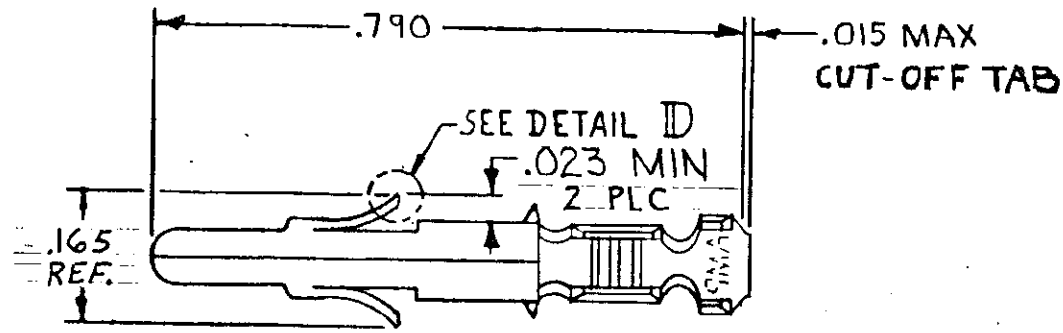
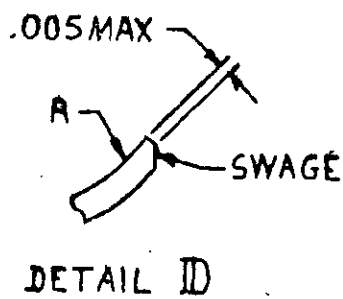
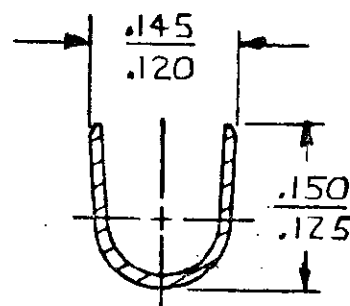
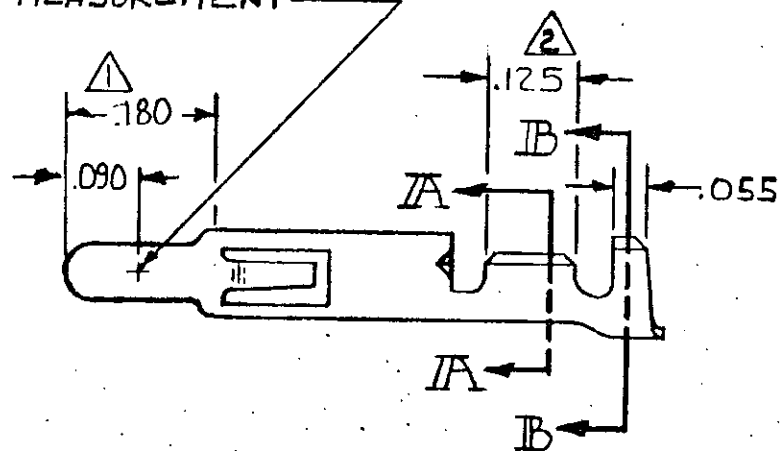


© COPYRIGHT

REVISIONS						
P	F	ZONE	LTR	DESCRIPTION	DATE	APPROVED
			N1	REVISED PER ECO-11-005294	05APR11	HMR



POINT OF MEASUREMENT



① PLATED WITH .000030 GOLD, OVER .000050 NICKEL UNDERPLATE.

② PLATED INTERNALLY WITH .000030 GOLD.

FINISH	MATERIAL	PART NO
GOLD ①	.012 BRASS	350690-7
PRE-TIN	.012 PH. BRZ.	350690-3
GOLD ①/②	.012 BRASS	350690-2
PRE-TIN		350690-1

UNLESS OTHERWISE SPECIFIED DIMENSIONS ARE IN INCHES. TOLERANCES ON: DECIMALS ± .015 ANGLES ±	CONTRACT NO		TE Connectivity
	DR	M. FEHER 5-6-81	
WIRE RANGE 24-18 AWG	CHK	J.S. Heide 6/9/81	NAME PIN, (LOOSE PIECE) UNIVERSAL MATE-N-LOK
	APPD	R. Pollock 6-10-81	
INSULATION RANGE .100 DIA MAX	DSGN APPD		SIZE B
	OTHER APPD		CODE IDENT NO 00779
		SCALE 4-1	DRAWING NO 350690
			SHEET --#

CUSTOMER DRAWING