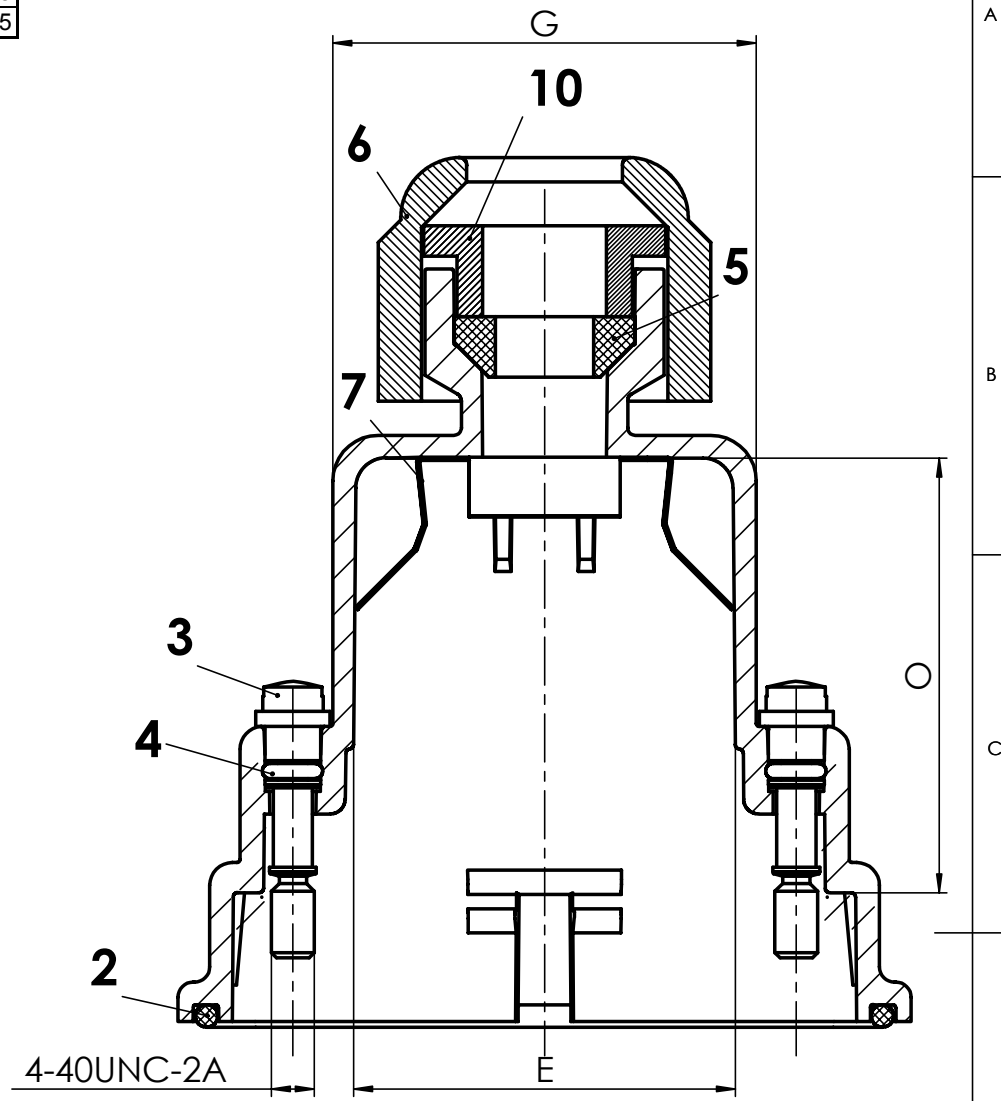
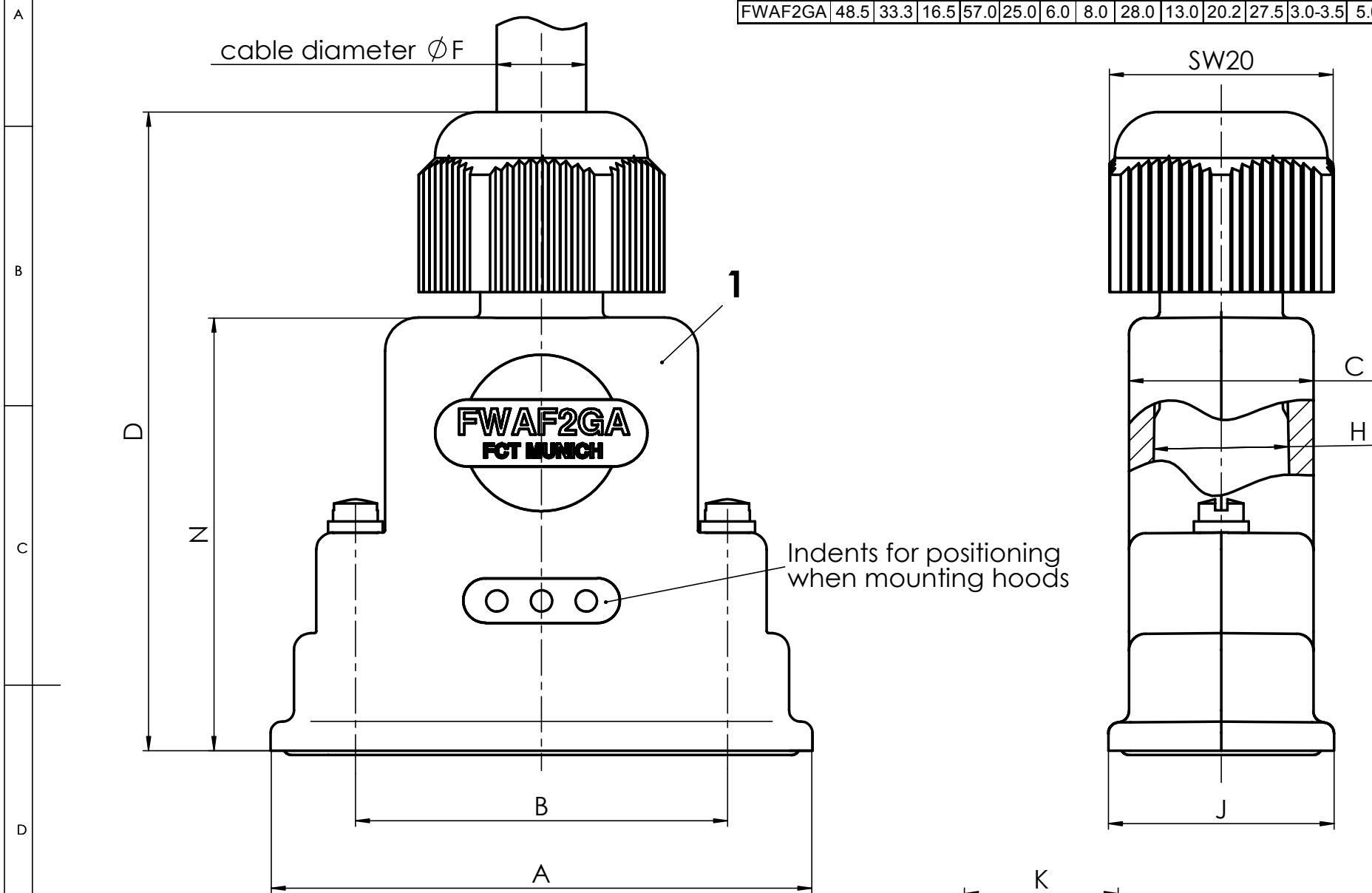


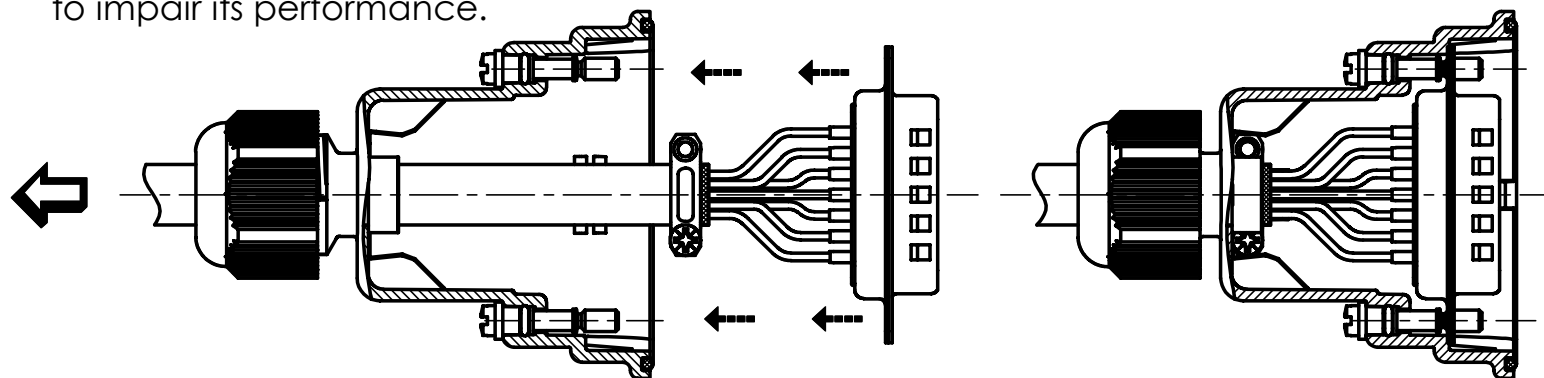
Typ	A	B	C	D	E	∅F	∅F	G	H	J	K	L	M	N	O
	±0.3	±0.1	±0.3	±3.0	±0.3	min.	max.	±0.3	±0.3	±0.3	±0.3	3.0-3.5	±0.3	±0.3	±0.3
FWAF1GA	39.8	25.0	16.5	57.0	17.0	6.0	8.0	20.0	13.0	20.2	27.5	3.0-3.5	5.0	38.75	28.75
FWAF2GA	48.5	33.3	16.5	57.0	25.0	6.0	8.0	28.0	13.0	20.2	27.5	3.0-3.5	5.0	38.75	28.75

FOR FRONT MOUNTED CONNECTORS



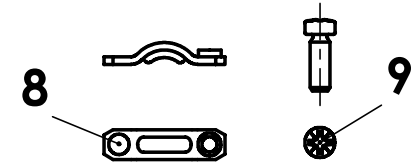
Mounting instructions

Insert cable into hood before stripping, cable clamp assembling and connector mounting. The peeled back cable braiding must not extend over the cable clamp, in order not to damage the gasket or to impair its performance.



Pull back cable until cable clamp snaps into shielding plate. Snap connector into hood.

Parts 8 and 9 not mounted!



No.	St.	Part	Type Description/Material	Surface plating/Colour/Class
10	1	Washer	Aluminium	nickel plated
9	2	Cable clamp screw	Steel	zinc plated
8	2	Cable clamp	Steel	zinc plated
7	1	Shielding plate	Bz4	tin plated
6	1	Nut	ABS	nickel plated
5	1	Rubber gasket	Nitril	black
4	2	O-Ring seal	Silicone	red
3	2	Slotted head screw	Brass	nickel plated
2	1	O-Ring seal	Silicone	red
1	1	Hood	ABS	nickel plated

COMMENT: ALL RIGHTS ARE RESERVED BY US FOR THIS DRAWING. WITHOUT OUR PRIOR CONSENT, IT MAY NEITHER BE DUBLICATED NOR MADE AVAILABLE TO A THIRD PARTY, AND IT ALSO MAY NOT BE IMPROPERLY USED BY TE RECEIVER, OR A THIRD PARTY.

		Measurement without tolerance occ. to ISO 2768-m		SCALE	TITLE
		DATE		2:1	
		DRAWN 19-05-2003		NAME	
		CHECKED 16-09-2003		cpasch	Plastic hood metalized waterproof
				okappla	
				DWG.NO. FWAF1GA-2GA	
				REV. 1	
1		21312	FCT electronic gmbh München		PAGES 1
REV.	DATE	CH.-NO.	ORIGINAL: DIN A3-DRAWING AS A FILE		REPLACEMENT FOR: