

Plastic Boxes
UL/NEMA/IEC NBA Series



[Click on Image for Larger View](#)

These gasketed enclosure meet NEMA 4X, IEC529, IP65, and UL-508-4X specifications which allows them to be used in many wet, dirty and/or corrosive environments.

Design Features

Indoor Versions:


*ABS/PC blended plastic with UL94-5VB flammability rating. Suggested service temperature range -40C to +70C.

*Clear doors are polycarbonate with UL94-5VA flammability rating.

Outdoor Versions:

*PC/PBT blended plastic with UL94-5VA flammability rating and UV stabilized

Catalog Number				NBA Series											
Solid Door	Clear Door	Solid Door	Clear Door	Drawings	A	B	C	A	B	C	D	E	F	G	Wgt. Lbs.
NBA-10142	NBA-10162	Contact BUD		PDF DXF	300mm	200mm	150mm	11.80"	7.85"	5.97"	4.80"	11.00"	7.02"	5.69"	2.2
NBA-10144	NBA-10164			PDF DXF	300mm	200mm	180mm	11.80"	7.85"	7.09"	5.90"	11.00"	7.02"	6.80"	2.5

NBA-10148	NBA-10168	Factory		400mm	300mm	180mm	15.75"	11.80"	7.09"	5.90"	14.93"	10.94"	6.80"	4.7
NBA-10152	NBA-10172			500mm	400mm	200mm	19.68"	15.75"	7.87"	6.69"	18.85"	14.90"	7.60"	7.4
NBA-10156	NBA-10176			600mm	400mm	230mm	23.61"	15.75"	9.06"	7.87"	22.78"	14.90"	8.80"	9.5

 [Autocad DXF Specifications File](#)
 (Requires CAD software such as AutoCAD)

 [Adobe PDF Specifications File](#)



[Download PDF Viewer](#)

[Home](#) | [Company Info](#) | [Online Catalog](#) | [Check Stock](#) | [Distributor/Price](#)

[Reps](#) | [New](#) | [Search](#) | [Contact](#) | [Privacy Policy](#)

BUD INDUSTRIES INC.

P.O. Box 998

Willoughby, Ohio 44094

Phone: 440-946-3200 Fax: 440-951-4015

E-Mail: saleseast@budind.com

PART NAME	LARGE NON-METALLIC ENCLOSURE (STYLE A)	PART No.	NBA-10152 & NBA-10172
-----------	--	----------	-----------------------

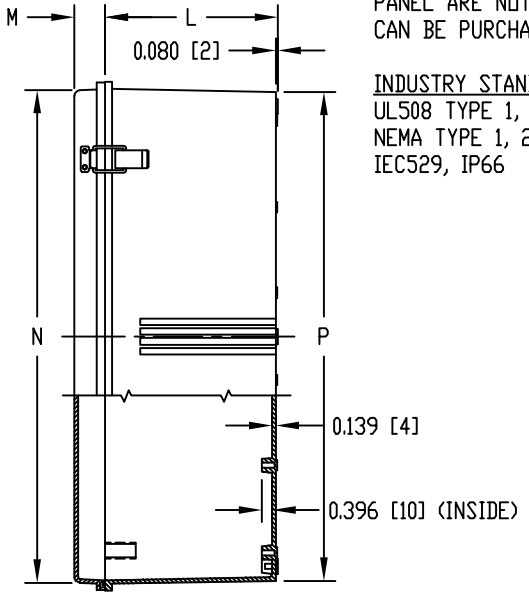
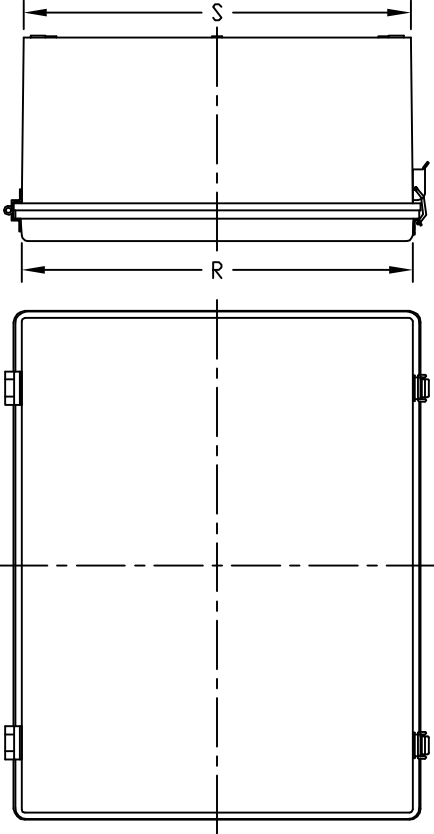
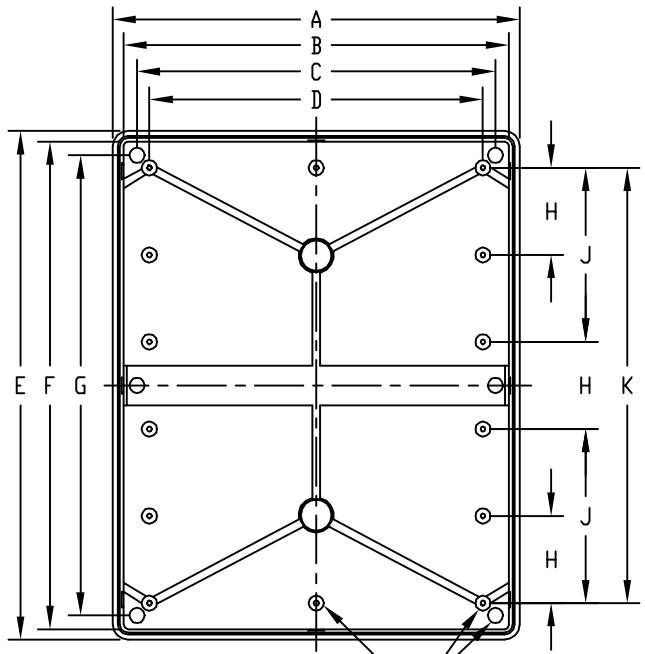
MATERIAL:
 SOLID BODY & COVER — ABS/PC BLENDED PLASTIC
 UL94-5VB FLAMMABILITY RATING
 -40°C TO +70°C TEMPERATURE RANGE
 CLEAR COVER — POLYCARBONATE PLASTIC
 UL94-V0 FLAMMABILITY RATING
 -40°C TO +70°C TEMPERATURE RANGE
 UV STABILIZED
 LATCHES, HINGES &
 WALL MOUNTING BRACKETS — STAINLESS STEEL

FINISH:
 BODY — LIGHT GRAY
 COVER — LIGHT GRAY OR CLEAR

COVER IS GASKETED.
NOTE: UNIT COMES COMPLETE WITH FOUR (4) STAINLESS STEEL WALL MOUNTING BRACKETS. (NOT SHOWN)

INTERNAL HINGED PANEL MOUNTING BRACKETS, AIR & MOISTURE VENTS, STAINLESS STEEL LOCKING HASP AND GALVANIZED STEEL INTERNAL PANEL ARE NOT INCLUDED, BUT CAN BE PURCHASED SEPARATELY.

INDUSTRY STANDARDS:
 UL508 TYPE 1, 2, 4, 4X INDOOR, 12 & 13
 NEMA TYPE 1, 2, 4, 4X, 12 & 13
 IEC529, IP66



0.590 [15] DIA. BOSS WITH 0.197 [5] DIA. HOLES x 0.425 [11] DEEP (10) PLACES
 0.590 [15] DIA. BOSS WITH M5 x 0.8mm THREADED BRASS INSERT (4) PL'S INSIDE AS SHOWN - AND - (6) PL'S OUTSIDE (REFERENCE LOCATION DIMENSIONS 'C' AND 'G')

VIEW LESS COVER

DIMENSIONS = INCHES
 [MILLIMETERS]

NOTE: ALL DIMENSIONS HAVE ±0.039 [±1] TOLERANCE UNLESS OTHERWISE SPECIFIED

PART NO.		DIMENSIONS															
GRAY COVER	CLEAR COVER	A	B	C	D	E	F	G	H	J	K	L	M	N	P	R	S
NBA-10152	NBA-10172	15.742	14.905	13.859	12.900	19.682	18.852	17.796	3.375	6.734	16.843	6.688	1.185	19.065	18.905	15.120	14.965
		[400]	[379]	[352]	[328]	[500]	[479]	[452]	[86]	[171]	[428]	[170]	[30]	[484]	[480]	[384]	[380]