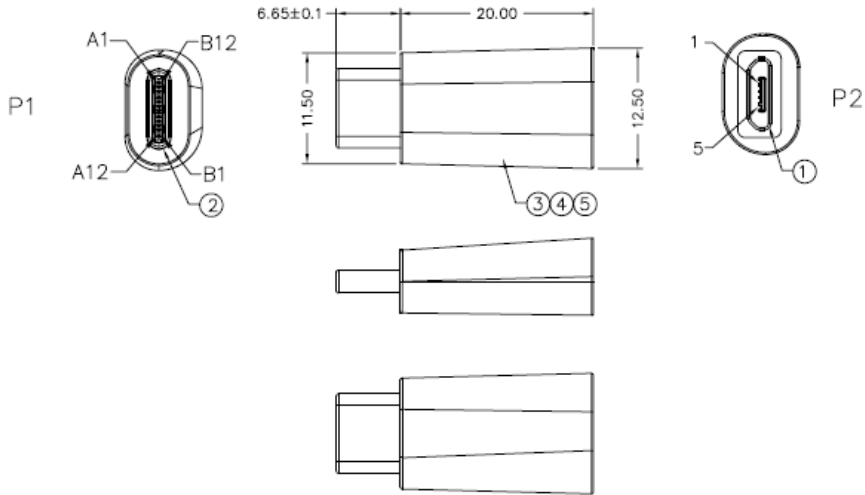


Datasheet

Micro B Female to C Male Adapter

RS Stock number 895-0524
 Unit: mm



5	OVER MOLD	PVC 70Pa BLACK	
4	INNER MOLD	LD-PE	
3	PCB	USB C MALE TO MICRO B/F PCBA	
2	CONNECTOR 2	USB3.1 C TYPE MALE PIN G/F,SHELL PLATED NICKEL	
1	CONNECTOR 1	USB2.0 MICRO B TYPE FEMALE PIN G/F,SHELL PLATED NICKEL	
NO.	PART NAME	SPEC DESCRIPTION	REMAKE

- ELECTRICAL CHARACTER:
- 1.100% OPEN&SHORT TEST
 - 2.HI-POT:DC300V 10ms
 - 3.Insulation Resistance:5M OHM MIN
 - 4.Contact Resistance: 2.0 OHM MAX

PIN ASSIGNMENT

SIGNAL	P1	COLOR	Conn.2	SIGNAL
VBUS	A4,B4,A9,B9	RED	1	VBUS
DN1	A7	WHITE	2	D-
DP1	A6	GREEN	3	D+
GND	A1,B1,A12,B12	BLACK	5	GND
CC	A5			
SHIELD	SHELL	SHIELD	SHELL	SHELL