



# Datasheet

## RS PRO Two-Part Enclosures

Stock number: 1920714

EN



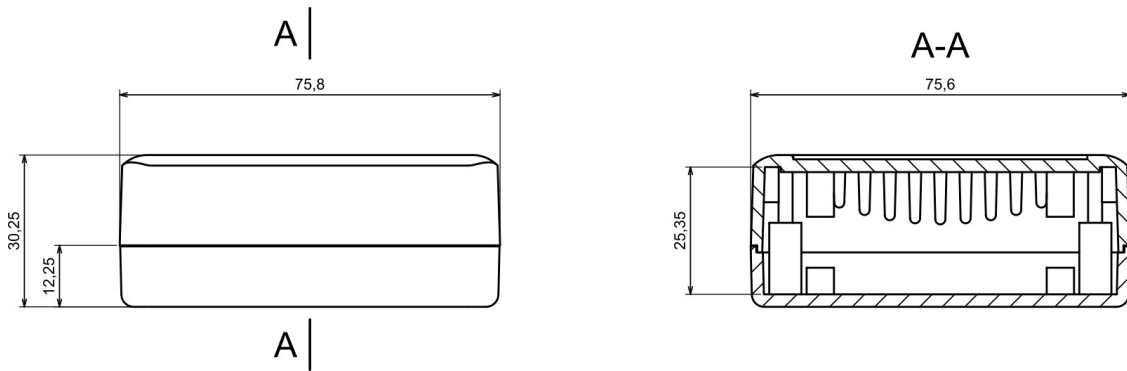
## Product Details

Two-part enclosure is made of black ABS. The enclosure is ventilated and it provides IP20 and IK06 rating it is ideal for applications that doesn't require hermetic seal.

## Features and Benefits

- Made of ABS
- Available in black color
- Protection against liquids and solid objects: IP20 rating
- Shock protection level: IK06 rating
- Assembly without screws

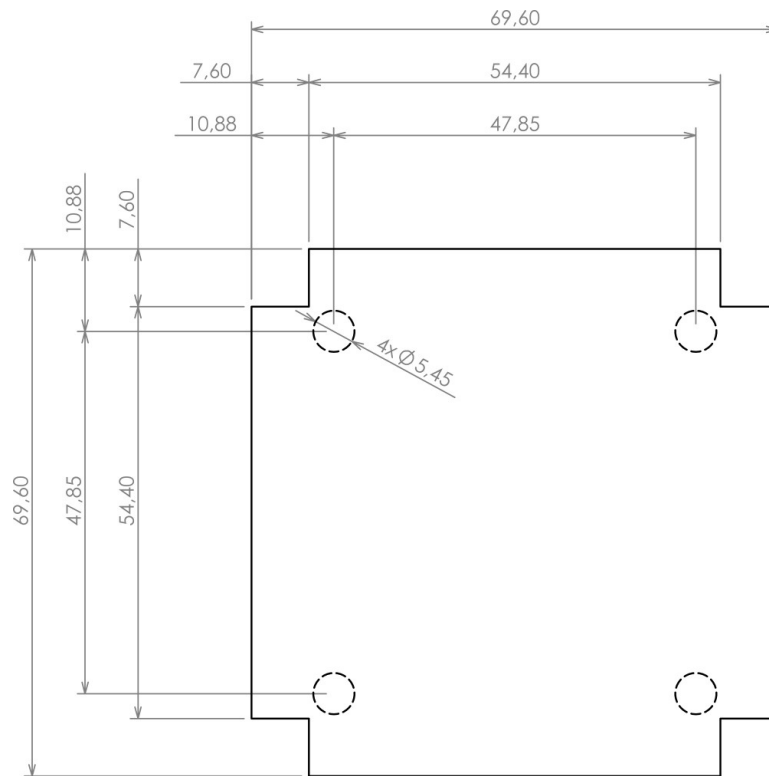
[rspro.com](http://rspro.com)



Category	Two-part Enclosures
Type	Ventilated ( <b>W</b> )
Material	ABS
Variant	Without gasket
Height	30.2 mm
Width	75.8 mm
Length	75.8 mm
Color	Black
Protection level	IP20
Shock protection level	IK06
Standards Met	RoHS Compliant
Certificate number	CE/031/18



## Max PCB size



Dashed line shows outline of the mounting boss under PCB board  
Recommended mounting holes diameter  $\varnothing 3,5\text{mm}$   
All dimensions are given within  $\pm 0,5\text{mm}$  tolerance