

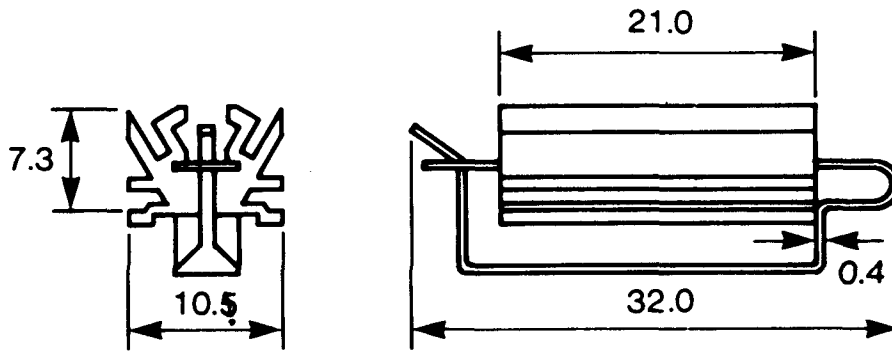


# DIP Series Heatsink Details

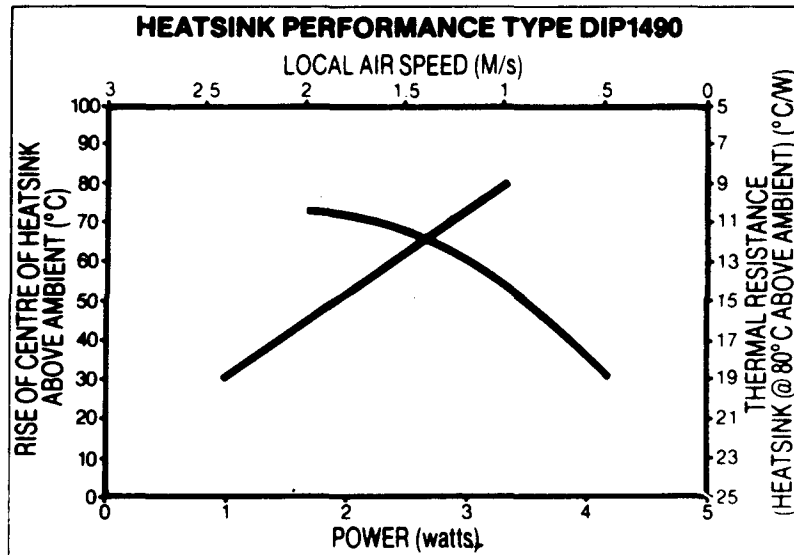
## Technical Library

RS Stock No  
402-513

Man Part No  
DIP1490



DIP 1490  $\theta = 24^{\circ} \text{C/W}$



RS Components shall not be liable for any liability or loss of any nature (howsoever caused and whether or not due to RS components' negligence) which may result from the use of any information provided in RS literature.

RS Components Ltd. PO Box 99, Corby, Northants, NN17 9RS

An Electrocomponents Company

Telephone: 01536 201234  
© RS Components Ltd. 1999