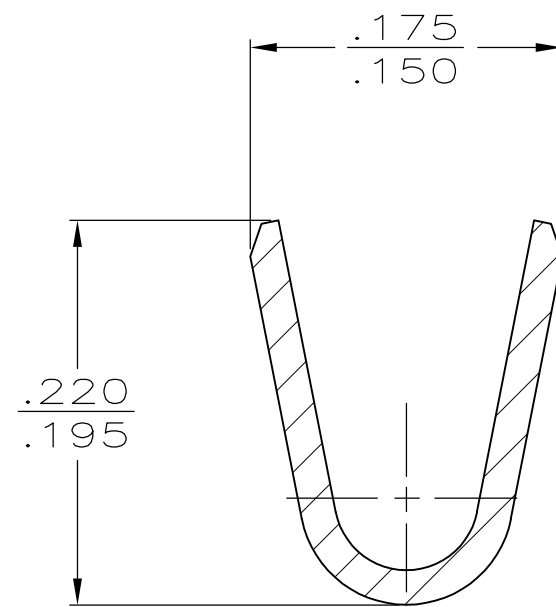
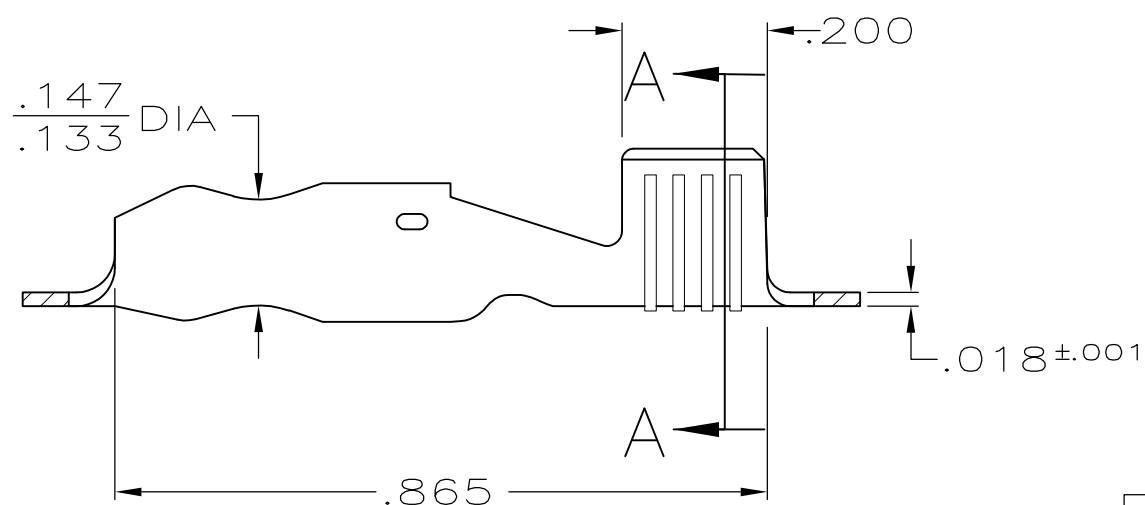
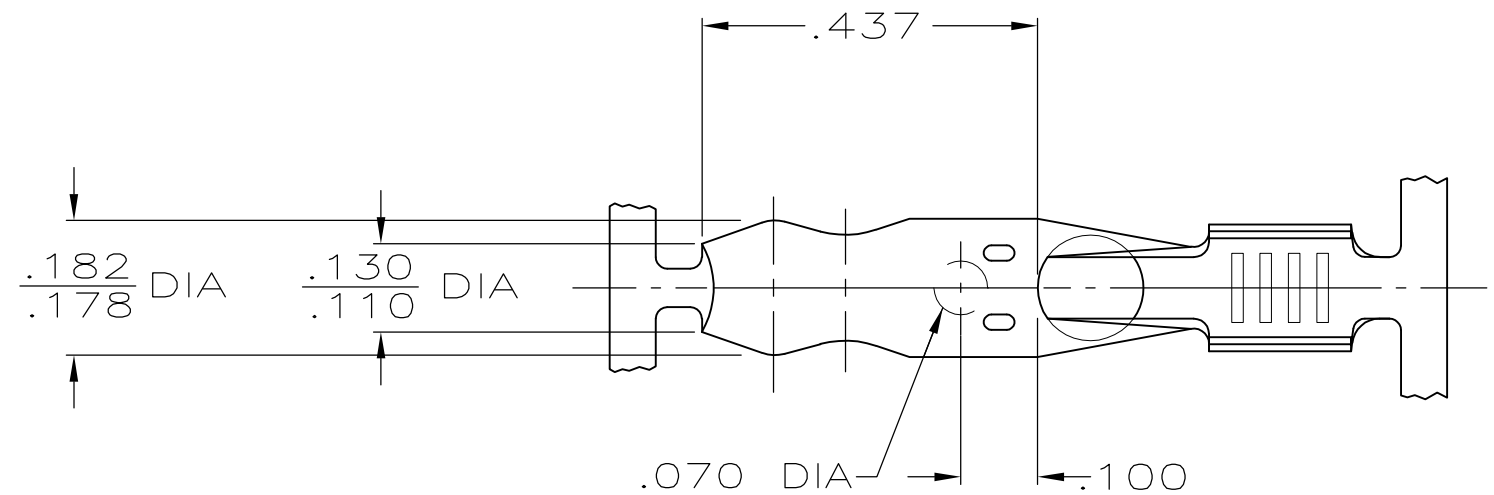


THIS DRAWING IS UNPUBLISHED. RELEASED FOR PUBLICATION
 © COPYRIGHT BY TYCO ELECTRONICS CORPORATION. ALL INTERNATIONAL RIGHTS RESERVED.

LOC	DIST	REVISIONS			
P	LTR	DESCRIPTION	DATE	DWN	APVD
AF	50	L1	REVISED PER ECR-08-032291	22DEC08	HMR DD

- 1 REVERSE REELED 42865-3 ONLY
- △ .000080 MIN TIN PLATE PER ASTM-B545 OVER
.000050 MIN NICKEL UNDERPLATE PER QQ-N-290.
- 3 WIRE SIZE IS #14-#10 AWG, 9600 CMA MAX.



FINISH	MATERIAL	PART NO.
△ TIN PL .000080 MIN THK ASTM-B545	1/4 HARD BRASS	42865-5
	1/4 HARD BRASS	42865-3
	1/4 HARD BRASS	42865-2
NONE	1/4 HARD BRASS	42865-1

OBSOLETE

THIS DRAWING IS A CONTROLLED DOCUMENT.		DWN DK SCHRUM 3/27/89	Tyco Electronics Corporation Harrisburg, PA 17105-3608	
DIMENSIONS: INCHES	TOLERANCES UNLESS OTHERWISE SPECIFIED:	CHK PM FORTNEY 3/27/89	NAME	
	0 PLC ± -	APVD G YETTER 3/27/89	SHUR PLUG, .180 DIA	
	1 PLC ± -	PRODUCT SPEC	SIZE	CAGE CODE
	2 PLC ± -	APPLICATION SPEC	A3	00779
	3 PLC ± .015	WEIGHT	DRAWING NO	
	4 PLC ± -		C-42865	
	ANGLES ± -		RESTRICTED TO	
MATERIAL SEE TABLE	FINISH SEE TABLE	CUSTOMER DRAWING		SCALE 4:1
		SHEET 1 OF 1		REV L1