



ENGLISH

Datasheet

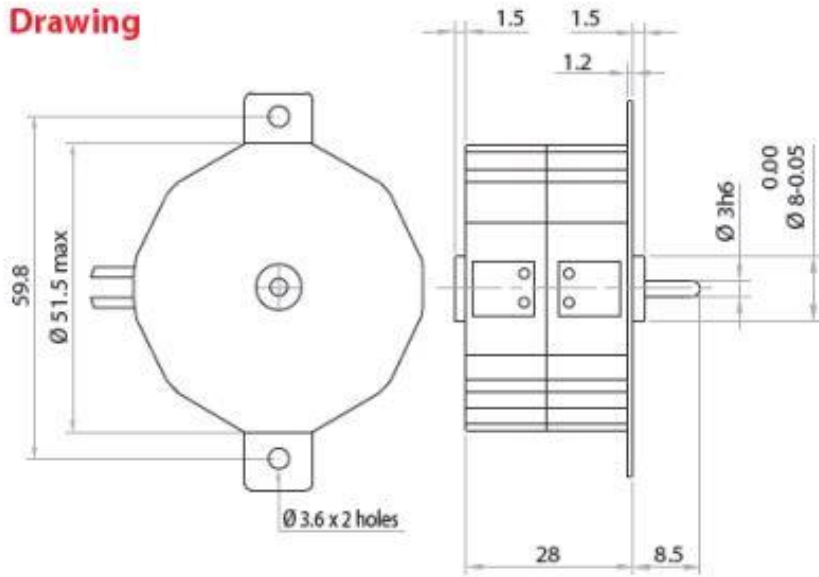
RS Pro Unipolar Permanent Magnet Stepper Motor 7.5°, 3.6Ncm, 12 V, 2 Wires

RS Stock No: 918-0837

Step Angle	7.5°
Holding Torque	3.6Ncm
Number Of Wires	2
Voltage Rating	12 V
Frame Size	59.8 mm
Stepper Motor Type	Permanent Magnet
Shaft Diameter	3 mm
Winding Arrangement	Unipolar
Shaft Length	7 mm
Depth	31 mm
Resistance Per Phase	251 Ω
Series	MTS4a
Standards Met	RoHS Compliant



Drawing



Torque Graphs

