

M16 Female Connector, Rear Mount



Features

- High level of ingress protection, meaning it is suitable for use in dusty or damp environments
- Robust nickel plated housing
- High endurance
- Designed to provide a convenient and reliable connection system suited to a wide range of industrial applications



Specification

| Art Nr. | Contacts | Rated Current | Rated Voltage | Rated Pulse Voltage | Insulation Resistance | Contact Resistance |
|---------------|----------|---------------|---------------|---------------------|-----------------------|--------------------|
| RND 205-01427 | 12 | 3 A | 60 V | 500 V | 100 mOhm | 3 MOhm |
| RND 205-01428 | 3 | 7 A | 250 V | 1.5 kV | 100 mOhm | 5 MOhm |
| RND 205-01429 | 4 | 6 A | 250 V | 1.5 kV | 100 mOhm | 5 MOhm |
| RND 205-01430 | 6 | 5 A | 250 V | 1.5 kV | 100 mOhm | 5 MOhm |
| RND 205-01431 | 2 | 7 A | 250 V | 1.5 kV | 100 mOhm | 5 MOhm |
| RND 205-01432 | 7 | 5 A | 125 V | 800 V | 100 mOhm | 5 MOhm |
| RND 205-01433 | 8 | 5 A | 125 V | 800 V | 100 mOhm | 5 MOhm |

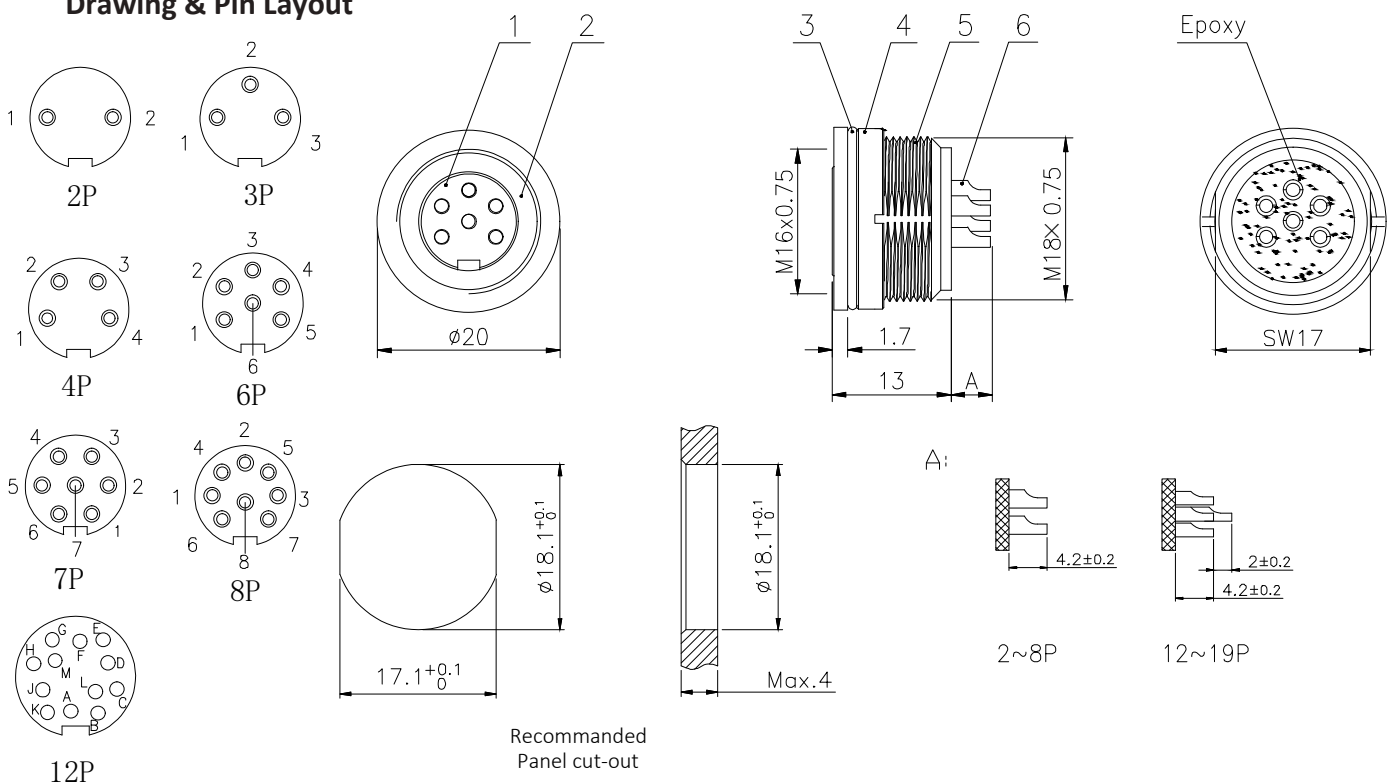
General Specification

| | |
|----------------------|---------------|
| Connector Locking | Screw |
| Termination | Solder |
| Temperature Range | -20 ... 80 °C |
| Mating Cycles | > 500 |
| Degree of Protection | IP67 |

Material Specification

| | |
|---------------------|----------------------|
| 1 - M16 Insert | PA, Black |
| 2 - O-Ring | Rubber, Black |
| 3 - O-Ring | Rubber, Black |
| 4 - Screw Nut | Brass, Nickel Plated |
| 5 - M16 Female Body | Nickel Plated |
| 6 - Pin | Brass, Gold Plated |

Drawing & Pin Layout



M16 Female Connector, Front Mount



Accessories

RND 205-01434
M16 Protection Cap for Female connector

