

Double Box with TwinCONTACT - Part no. 1649


- screwless spring terminals
- CEE and sockets SCHUKO® in one enclosure
- Also available with shock-proof sockets to comply with French/Belgian, Danish and Swiss standards

Protection type IP 44

Fitted with 1 CEE 16A, 5p, 400V

1 SCHUKO® 16A, 230V

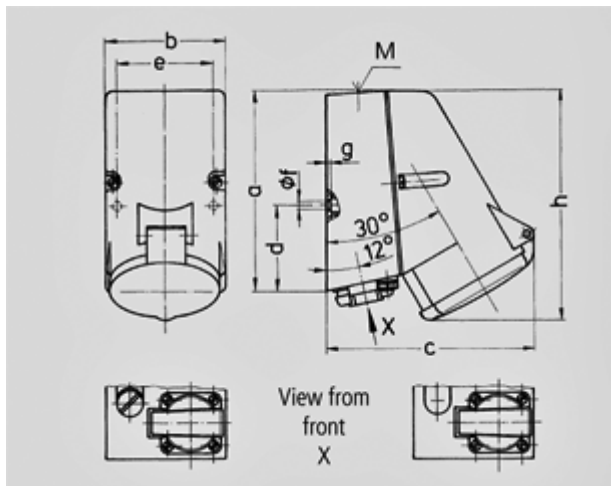
Ampere 16 A

Poles 5p

Voltage 400

Hertz 50-60Hz

Std. Pack. 5 Qty.



Drawing	Amp.	16		32
		Poles		
1 MB 354		4	5	5
Dim. in mm	a	141	141	141
	b	85	85	85
	c	139	139	153
	d	61	61	61
	e	68	68	68
	f	5,3	5,3	5,3
	g	4	4	4
	h	145	145	162
	M	25	25	32
Max. cable diam. (mm)		18	18	25
Terminal for cond. cross section (mm ²) min.-max.		1.5	1.5	2.5
		—4	—4	—10