

Lobe knobs



Material

High-resilience polypropylene based (PP) technopolymer, coated with thermoplastic elastomer (TPE) "soft-touch" chemically bonded, hardness 70 Shore A. Resistant to solvents, oils, greases and other chemical agents. The coating material is certified according to FDA (U.S. Food and Drug administration).

Colour

Black, matte finish.

Centre closing cap

Polypropylene based (PP) technopolymer, in the six standard colours, matte finish.

On request and for sufficient quantities, it can be supplied in other colours or with customised graphic symbols, marks or writings.

Standard executions

- **VCT-B-SOFT**: brass boss, threaded blind hole.
- **VCT-p-SOFT**: zinc-plated steel threaded stud with chamfered flat end as in UNI 947 : ISO 4753 (see Technical data).

Features and applications

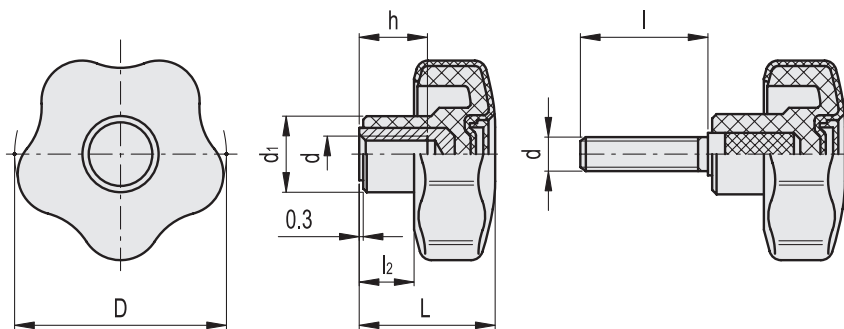
The surface, coated with "soft-touch" elastomer, improves the grip even in the presence of oils, greases and sweat from the hand.

For this reason it is suitable for fitness machines, tools and machines for gardening and goods transport, high-precision instruments and disability aids.



VCT-B-SOFT

VCT-p-SOFT



* Complete with colour index, example: 169894-C2 VCT.43 B-M8-SOFT-C2.

C9
 C2
 C3
 C4
 C5
 C6
 RAL9005 RAL2004 RAL7035 RAL1021 RAL5024 RAL3000

VCT-B-SOFT

Code	Description	D	d _{6h}	L	d ₁	l ₂	h	C# [Nm]	⚖
169894-*	VCT.43 B-M8-SOFT-*	43	M8	29	17	11	13	18	20
169952-*	VCT.53 B-M8-SOFT-*	53	M8	34	19	13	15	25	33
169954-*	VCT.53 B-M10-SOFT-*	53	M10	34	19	13	17	27	36
170013-*	VCT.66 B-M10-SOFT-*	66	M10	38.5	21.5	15.5	17	50	44
170062-*	VCT.77 B-M12-SOFT-*	77	M12	46	26	21	20	60	51

VCT-p-SOFT

Code	Description	D	d _{6g}	L	d ₁	l	l ₂	C# [Nm]	⚖
169903-*	VCT.43 p-M6x25-SOFT-*	43	M6	29	17	25	11	13	20
169905-*	VCT.43 p-M6x30-SOFT-*	43	M6	29	17	30	11	13	21
169911-*	VCT.43 p-M8x16-SOFT-*	43	M8	29	17	16	11	16	19
169912-*	VCT.43 p-M8x20-SOFT-*	43	M8	29	17	20	11	16	20
169913-*	VCT.43 p-M8x25-SOFT-*	43	M8	29	17	25	11	16	22
169971-*	VCT.53 p-M10x20-SOFT-*	53	M10	34	19	20	13	23	36
169973-*	VCT.53 p-M10x30-SOFT-*	53	M10	34	19	30	13	23	40
170021-*	VCT.66 p-M10x20-SOFT-*	66	M10	38.5	21.5	20	15.5	37	46
170083-*	VCT.77 p-M12x30-SOFT-*	77	M12	46	26	30	21	68	53

"Max limit Tightening torque" means the max torque value at which the metal insert, in normal conditions of use, is perfectly and strongly anchored to the plastic material.