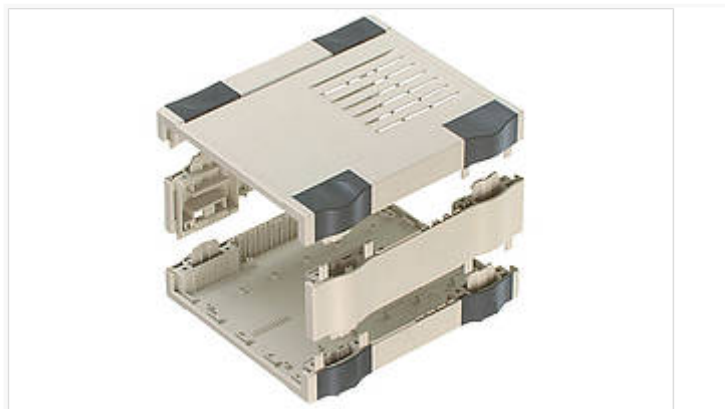


Botego

Extension sets, 9 HP, plain and with air vents (L)



BO AB 02609 L-7035

Order no.: 68260911

For BO 626..(L)

* = Available on request.

Characteristics

Colour of enclosure group

Light grey, similar to RAL 7035

Colour of enclosure group

Light grey

Enclosure Material

ABS; for details see Technical Information

Scope of delivery

2 extension parts

Note

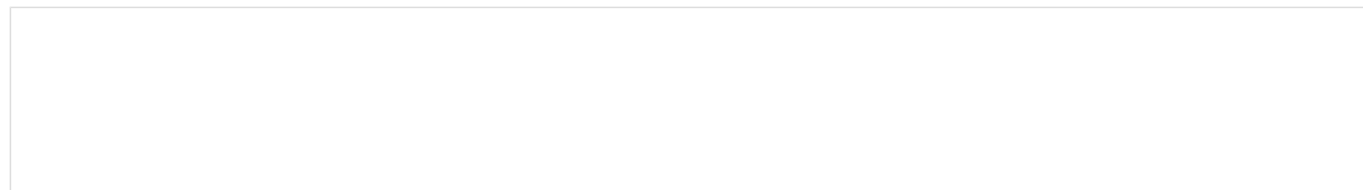
L = With injection-moulded air vents

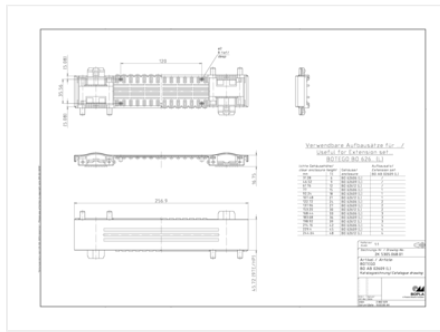
Dimensions

HP

9

Product drawing





Important!

To compensate for pressure when temperatures change and cause moisture in the enclosure, we recommend that you use a pressure compensation element.

» [Additional information](#)

Technical documentation / Downloads

Technical drawings

3D product data in STEP format: Registration necessary
Product drawing in PDF format: 68260911 BO-AB-02609-L-7035.pdf (72.3 KB)
Product drawing in DXF format: 68260911 BO-AB-02609-L-7035.dxf (694.9 KB)

Product information

[Botego GB.pdf](#) (592.7 KB)

Works Test Certificates

[700 WPZ-Botego DE.pdf](#) (174.5 KB)
[700 WPZ-Botego EN.pdf](#) (169.3 KB)