



115.111.129.98KWVE..-BFührungswagen

Carriages KWVE20-B (Series KWVE..-B)

standard carriage, four-row, full complement ball set

The datasheet is only an overview of dimensions and basic load ratings of the selected product. Please always observe all the guidelines in these overview pages. Further information is given on many products under the menu item "Description". You can also order comprehensive information via the Catalogue ordering system

(https://www.schaeffler.de/content.schaeffler.de/en/news_media/index.jsp) or by telephone on +49 (91 32) 82 - 28 97.

H	30 mm
B	63 mm
L	71,4 mm
1)	Locating face
2)	Marking
3)	Lubrication nipple with tapered head to DIN 71 412-B M5 is supplied loose
A1	21,5 mm
A2	5 mm
A3	7,7 mm
A4	4,6 mm
aL max	53 mm a L and a R are dependent on the length l max of the guideway
aL min	20 mm a L and a R are dependent on the length l max of the guideway
aR max	53 mm a L and a R are dependent on the length l max of the guideway
aR min	20 mm a L and a R are dependent on the length l max of the guideway
b	20 mm Tolerance: -0,005/-0,03
G2	M6 For screws to DIN ISO 4762-12.9 Max. tightening torque in Nm: M5 = 5,8 M6 = 10 M8 = 24 M10 = 41 M12 = 83 M14 = 140

If there is a possibility of settling, the fixing screws should be secured against rotation.

h	17 mm
H1	4,5 mm
h1	9,1 mm
H4	11 mm
H5	5,25 mm
JB	53 mm
JL	40 mm
jL	60 mm
JL6	9,4 mm
JLZ	35 mm

K1	M5	For screws to DIN ISO 4762-12.9
		Max. tightening torque in Nm:
		M3 = 2,5
		M4 = 5
		M5 = 10
		M6 = 17
		M8 = 41
		M10 = 83
		M12 = 140
		M14 = 220
		M16 = 340

If there is a possibility of settling, the fixing screws should be secured against rotation

K3	M5	For screws to DIN ISO 4762-12.9
		Max. tightening torque in Nm:
		M3 = 2,5
		M4 = 5
		M5 = 10
		M6 = 17
		M8 = 41
		M10 = 83
		M12 = 140
		M14 = 220
		M16 = 340

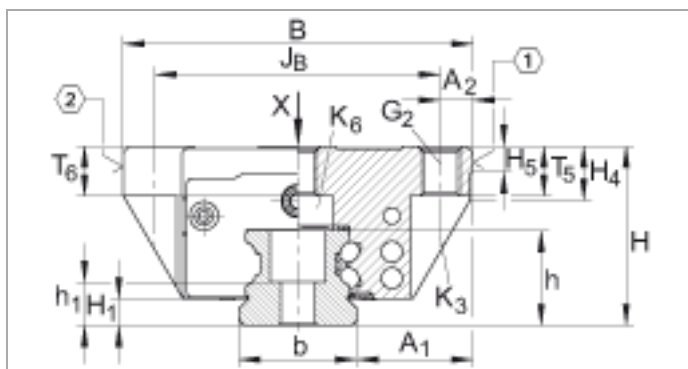
If there is a possibility of settling, the fixing screws should be secured against rotation

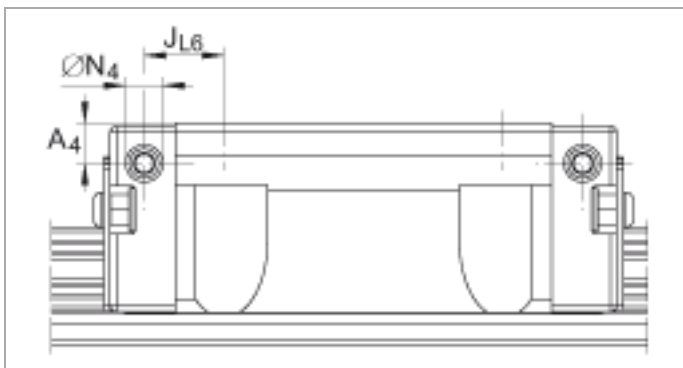
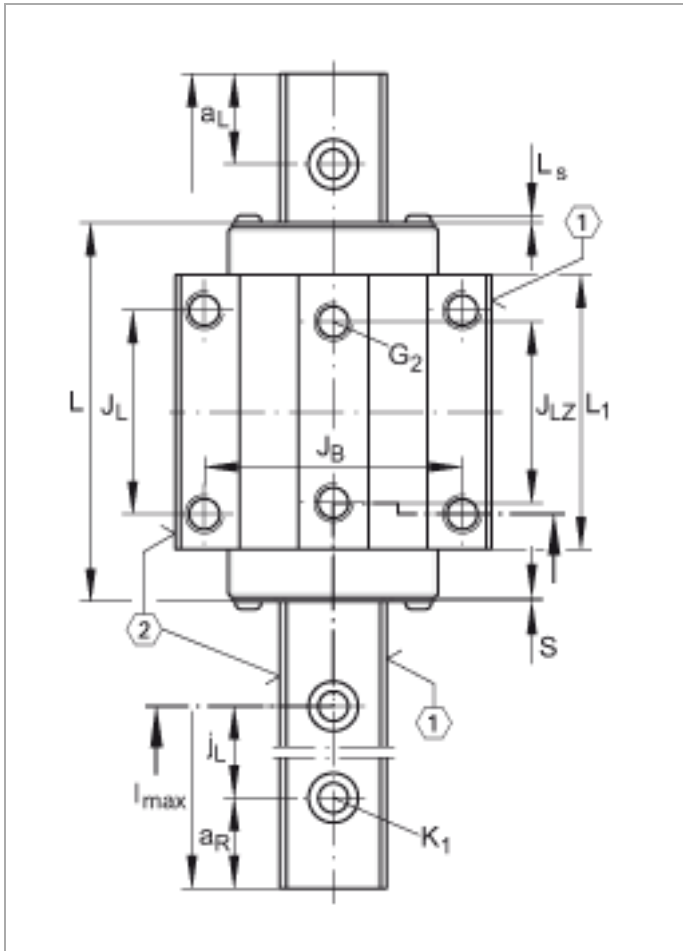
K6	M5	For screws to DIN ISO 4762-12.9
		Max. tightening torque in Nm:
		M3 = 2,5
		M4 = 5
		M5 = 10
		M6 = 17
		M8 = 41
		M10 = 83
		M12 = 140
		M14 = 220

M16 = 340

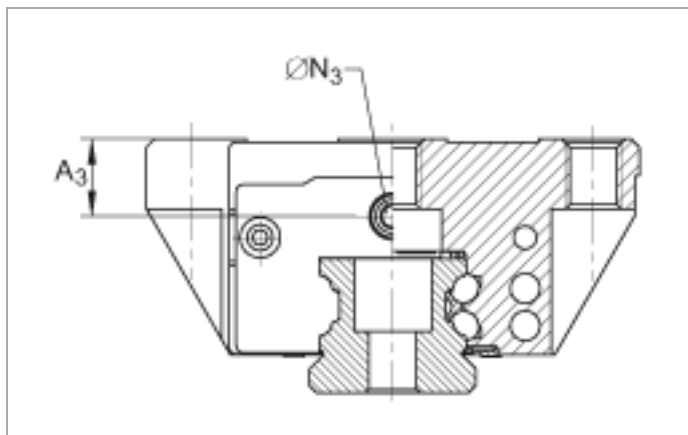
If there is a possibility of settling, the fixing screws should be secured against rotation

L1	50,4 mm	
l _{max}	2960 mm	Maximum length of single-piece guideways; longer guideways are supplied in several sections and are marked accordingly. Maximum single-piece guideway length of 6 m by agreement.
Ls	1,3 mm	
N3	4,5 mm	Maximum permissible screw depth for lubrication connector: 7 mm
N4	4,5 mm	Maximum permissible screw depth for lubrication connector: 5,5 mm
S	0,8 mm	
T5	10 mm	
T6	7,5 mm	
W6	6 mm	Width across flats
mw	0,44 kg	Mass of carriage
ms	2,2 kg/m	Mass of guideway
		Calculation of basic load rating according to DIN 636, increased basic dynamic load rating possible on the basis of practical experience.
C	13100 N	Basic dynamic load rating
C ₀	27000 N	Basic static load rating
M _{0x}	332 Nm	Static moment rating about X axis
M _{0y}	240 Nm	Static moment rating about Y axis
M _{0z}	240 Nm	Static moment rating about Z axis

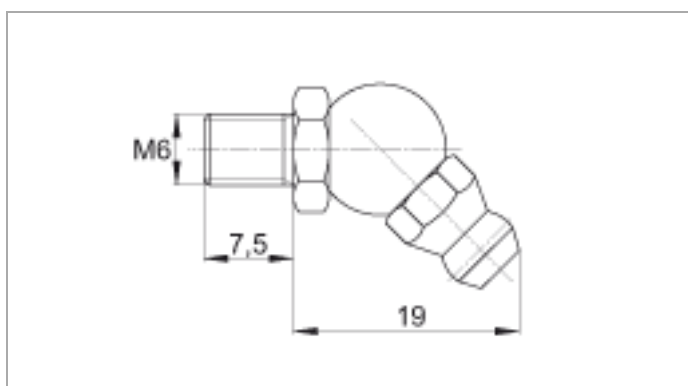




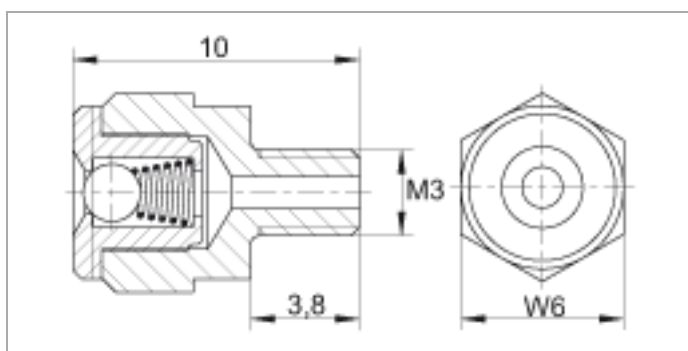
Lubrication connector on lateral face



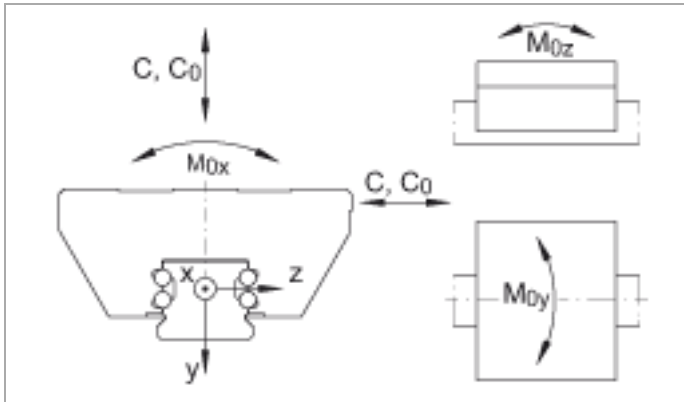
Lubrication connector on end face



Lubrication nipple 3)



Lubrication nipple 3)



Load directions