

RS Pro Anti-Vibration Pedestal Mount

Product Details -



The KPR is a captive flanged mount with a rubber element designed to take vertical load applied in both shear and compression to give maximum isolation from vibrating equipment

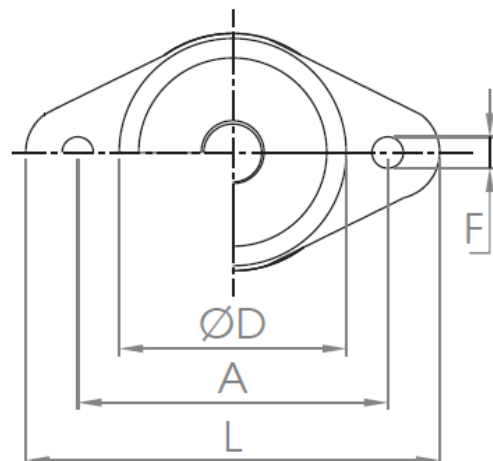
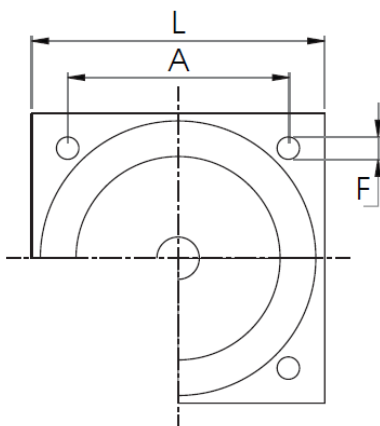
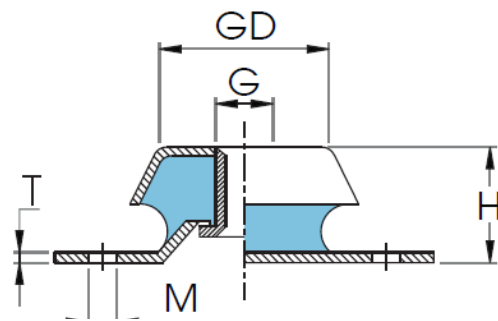
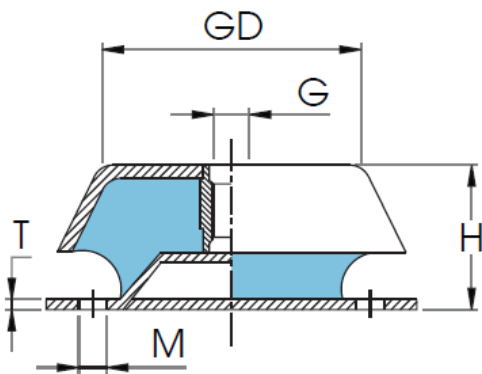
Features:

- Compact design with inbuilt bump and rebound control feature to control movement of equipment in transit
- Dome shaped metal cap protects the elastomer against splashes of oil and fuel contamination
- Compression design and metal cap effectively eliminate airborne noise when compared to spring mountings
- Thick base flange metal to give added strength
- Low height captive mounting capable of taking loads of 40kg to 5000kg

Applications:

- Static and mobile generators sets
- Pumps, compressors, centrifugal fans and blowers
- Railway equipment compartments
- Marine engines (no thrust) and gearboxes
- Electronic control panels

Line Drawing -





Dimensions in Millimeters (mm)

RS Stock number	Description	L	H	A	F(m)	D	GD	S	G
1263890	Failsafe Mount 110x35 M12 60 ShA NR	110	35	73-90	8.3*16	65	50	3	M12
1263889	Failsafe Mount 110x35 M12 60 ShA NR Stainless Steel 316	110	35	73-90	8.3*16	65	50	3	M12
1263888	Failsafe Mount 120x35 M10 60 ShA NR	120	35	100	11	63.5	47	2	M10
1263887	Failsafe Mount 120x35 M12 60 ShA NR	120	35	100	11	63.5	47	2	M12
1263886	Failsafe Mount 120x35 M12 60 ShA NR Stainless Steel 316	120	35	100	11	63.5	47	2	M12
1263885	Failsafe Mount 128x30 M10 60 ShA NR	128	30	110	9	77	59	2	M10
1263884	Failsafe Mount 128x45 M12 60 ShA NR	128	45	110	10.5	92	73.5	3	M12
1263883	Failsafe Mount 144x36 M10 60 ShA NR	144	36	124	10	93	70	2.5	M10
1263882	Failsafe Mount 144x36 M10 60 ShA NR Stainless Steel 316	144	36	124	10	93	70	2.5	M10
1263881	Failsafe Mount 144x36 M12 60 ShA NR	144	36	124	10	93	70	2.5	M12
1263880	Failsafe Mount 144x36 M12 60 ShA NR Stainless Steel 316	144	36	124	10	93	70	2.5	M12
1263879	Failsafe Mount 169x40 M16 60 ShA NR	169	40	140	14*19	105	77	3	M16
1263878	Failsafe Mount 169x40 M16 60 ShA NR Stainless Steel 316	169	40	140	14*19	105	77	3	M16
1263877	Failsafe Mount 172x38 M16 60 ShA NR	172	38	138-46	14*18	106	81	3	M16
1263876	Failsafe Mount 172x38 M16 60 ShA NR Stainless Steel 316	172	38	138-46	14*18	106	81	3	M16
1263875	Failsafe Mount 190x50 M16 60 ShA NR	190	50	160	16.5	108	83	5	M16
1263874	Failsafe Mount 190x50 M16 60 ShA NR Stainless Steel 316	190	50	160	16.5	108	83	5	M16
1263873	Failsafe Mount 190x66 M20 60 ShA NR	190*190	66	160	14	181	140	4	M20
1263872	Failsafe Mount 190x66 M20 60 ShA NR	190*190	66	160	14	181	140	4	M20



Dimensions in Millimeters (mm)

RS Stock number	Description	L	H	A	F(m)	D	GD	S	G
1263871	Failsafe Mount 192x41 M16 60 ShA NR	192	40.5	158	14	115	90	3	M16
1263869	Failsafe Mount 216x48 M16 60 ShA NR	216	48	182	14*19	145	118	4	M16
1263868	Failsafe Mount 216x52 M16 60 ShA High Deflection NR Stainless Steel 316	216	52	182	14*19	155	134	4	M16
1263867	Cyl Mnt 15mmOD x 15mm high x 6.5mm ID No metal plate 55 shA	-	15	-	-	15	-	-	6.5 mm
1263866	Cyl Mnt 20mmOD x 15mm high x 8.5mm ID No metal plate 55 shA	-	15	-	-	20	-	-	8.5 mm
1263865	Cyl Mnt 20mmOD x 20mm high x 8.5mm ID No metal plate 55 shA	-	20	-	-	20	-	-	8.5 mm
1263863	Cyl Mnt 20mmOD x 25mm high x 8.5mm ID No metal plate 55 shA	-	25	-	-	20	-	-	8.5 mm
1263862	Cyl Mnt 20mmOD x 30mm high x 8.5mm ID No metal plate 55 shA	-	30	-	-	20	-	-	8.5 mm
1263861	Cyl Mount 25mmOD x 10.5mmID x 15mm HT 50 shA	-	15	-	-	25	-	-	8.5 mm
1263860	Cyl Mount 25mmOD x 10.5mmID x 20mm HT 50 shA	-	20	-	-	25	-	-	10.5 mm
1263859	Cyl Mount 25mm OD x 10.5mm ID x 25mm HT 50 shA	-	25	-	-	25	-	-	10.5 mm
1263857	Cyl. Mtg 30mm OD x 30mm ID x 13.5mm high rubber only 50shA	-	30	-	-	30	-	-	13.5 mm
1263856	Cyl. Mtg 40mm OD x 30mm ID x 13.5mm high rubber only 50shA	-	30	-	-	40	-	-	13.5 mm
1263855	Cyl. Mtg 50mm OD x 30mm ID x 13.5mm high rubber only 50shA	-	30	-	-	50	-	-	17 mm