

NH fuse-links aM 690VAC

double indicator/live tags size 000, 00, 0, 1, 2, 3

LOW VOLTAGE IEC FUSES

IEC NH FUSE-LINKS



The NH system is classified among plug-in fuse systems and is composed of:

- fuse-base (possibly including terminal covers and phase barriers)
- fuse-link with blade contact
- fuse-link replacement device (LV HRC fuse puller)

Since the design of this system cannot guarantee non-interchangeability of rated current it must be handled by a qualified professional.

Type “aM” NH fuse-links are partial-range breaking capacity fuse-links, used to protect motor circuits as they are strongly current-limiting and have low power losses. They interrupt currents from 6.3 times I_n up to their maximum breaking capacity and are therefore suited for short-circuit protection only. They must be associated with other switchgear for protection against overloads. These fuse-links can have a rated current equal to the motor’s nominal current.

TECHNICAL DATA OVERVIEW

| | |
|----------------------|-----------------------|
| Voltage AC | 690 VAC |
| Ampere Range (A) | 2 ... 500 A |
| Size per Standard | 000, 00, 0, 1, 2, 3 |
| Speed/Characteristic | aM |
| I.R. AC | 80 kA |
| Body Material | ceramic |
| Contact Materials | copper, silver-plated |

FEATURES & BENEFITS

- Dimensions according to DIN 43 620 parts 1 to 4
- Non-isolated gripping lugs
- Double indicator
- Lead free contact blades
- 0% cadmium

APPLICATIONS

- aM: Partial purpose, motor circuit protection

STANDARDS

- VDE 0636 Part 201
- IEC 60269-1 and -2



NH fuse-links aM 690VAC

double indicator/live tags size 000, 00, 0, 1, 2, 3

PRODUCT RANGE



NH000AM69V10

Size 000

| Catalog number | Reference number | Rated voltage AC (IEC) | Rated current I _n | Power dissipation at I _n | Weight | Package |
|----------------|------------------|------------------------|------------------------------|-------------------------------------|----------|---------|
| NH000AM69V2 | P227851 | 690 V | 2 A | 0.1 W | 0.133 kg | 3 |
| NH000AM69V4 | Q227852 | 690 V | 4 A | 0.2 W | 0.133 kg | 3 |
| NH000AM69V6 | R227853 | 690 V | 6 A | 0.3 W | 0.133 kg | 3 |
| NH000AM69V10 | S227854 | 690 V | 10 A | 0.5 W | 0.133 kg | 3 |
| NH000AM69V16 | T227855 | 690 V | 16 A | 0.7 W | 0.133 kg | 3 |
| NH000AM69V20 | V227856 | 690 V | 20 A | 0.9 W | 0.133 kg | 3 |
| NH000AM69V25 | W227857 | 690 V | 25 A | 1.2 W | 0.133 kg | 3 |
| NH000AM69V32 | X227858 | 690 V | 32 A | 1.5 W | 0.133 kg | 3 |
| NH000AM69V35 | Y227859 | 690 V | 35 A | 1.6 W | 0.133 kg | 3 |
| NH000AM69V40 | Z227860 | 690 V | 40 A | 1.8 W | 0.133 kg | 3 |
| NH000AM69V50 | A227861 | 690 V | 50 A | 2.3 W | 0.133 kg | 3 |
| NH000AM69V63 | B227862 | 690 V | 63 A | 2.9 W | 0.133 kg | 3 |



NH00AM69V125

Size 00

| Catalog number | Reference number | Rated voltage AC (IEC) | Rated current I _n | Power dissipation at I _n | Weight | Package |
|----------------|------------------|------------------------|------------------------------|-------------------------------------|--------|---------|
| NH00AM69V50 | D227864 | 690 V | 50 A | 2.3 W | 0.2 kg | 3 |
| NH00AM69V63 | E227865 | 690 V | 63 A | 2.9 W | 0.2 kg | 3 |
| NH00AM69V80 | F227866 | 690 V | 80 A | 3.6 W | 0.2 kg | 3 |
| NH00AM69V100 | G227867 | 690 V | 100 A | 5.2 W | 0.2 kg | 3 |
| NH00AM69V125 | H227868 | 690 V | 125 A | 6.4 W | 0.2 kg | 3 |



NH0AM69V160

Size 0

| Catalog number | Reference number | Rated voltage AC (IEC) | Rated current I _n | Power dissipation at I _n | Weight | Package |
|----------------|------------------|------------------------|------------------------------|-------------------------------------|---------|---------|
| NH0AM69V6 | K227870 | 690 V | 6 A | 0.3 W | 0.26 kg | 3 |
| NH0AM69V10 | L227871 | 690 V | 10 A | 0.5 W | 0.26 kg | 3 |
| NH0AM69V16 | M227872 | 690 V | 16 A | 0.8 W | 0.26 kg | 3 |
| NH0AM69V20 | N227873 | 690 V | 20 A | 1 W | 0.26 kg | 3 |
| NH0AM69V25 | P227874 | 690 V | 25 A | 1.3 W | 0.26 kg | 3 |
| NH0AM69V32 | Q227875 | 690 V | 32 A | 1.6 W | 0.26 kg | 3 |
| NH0AM69V35 | R227876 | 690 V | 35 A | 1.7 W | 0.26 kg | 3 |
| NH0AM69V40 | S227877 | 690 V | 40 A | 2 W | 0.26 kg | 3 |
| NH0AM69V50 | T227878 | 690 V | 50 A | 2.8 W | 0.26 kg | 3 |
| NH0AM69V63 | V227879 | 690 V | 63 A | 3.4 W | 0.26 kg | 3 |
| NH0AM69V80 | W227880 | 690 V | 80 A | 4.9 W | 0.26 kg | 3 |
| NH0AM69V100 | X227881 | 690 V | 100 A | 6 W | 0.26 kg | 3 |
| NH0AM69V125 | Y227882 | 690 V | 125 A | 7.9 W | 0.26 kg | 3 |
| NH0AM69V160 | Z227883 | 690 V | 160 A | 10.5 W | 0.26 kg | 3 |

MERSEN reserves the right to change, update or correct, without notice, any information contained in this datasheet.

NH fuse-links aM 690VAC

double indicator/live tags size 000, 00, 0, 1, 2, 3

PRODUCT RANGE



NH1AM69V250

Size 1

| Catalog number | Reference number | Rated voltage AC (IEC) | Rated current I _n | Power dissipation at I _n | Weight | Package |
|----------------|------------------|------------------------|------------------------------|-------------------------------------|---------|---------|
| NH1AM69V16 | B227885 | 690 V | 16 A | 1 W | 0.43 kg | 3 |
| NH1AM69V20 | C227886 | 690 V | 20 A | 1.2 W | 0.43 kg | 3 |
| NH1AM69V25 | D227887 | 690 V | 25 A | 1.4 W | 0.43 kg | 3 |
| NH1AM69V32 | E227888 | 690 V | 32 A | 1.9 W | 0.43 kg | 3 |
| NH1AM69V35 | F227889 | 690 V | 35 A | 2 W | 0.43 kg | 3 |
| NH1AM69V40 | G227890 | 690 V | 40 A | 2.3 W | 0.43 kg | 3 |
| NH1AM69V50 | H227891 | 690 V | 50 A | 2.9 W | 0.43 kg | 3 |
| NH1AM69V63 | J227892 | 690 V | 63 A | 3.6 W | 0.43 kg | 3 |
| NH1AM69V80 | K227893 | 690 V | 80 A | 4.6 W | 0.43 kg | 3 |
| NH1AM69V100 | L227894 | 690 V | 100 A | 5.8 W | 0.43 kg | 3 |
| NH1AM69V125 | M227895 | 690 V | 125 A | 7.5 W | 0.43 kg | 3 |
| NH1AM69V160 | N227896 | 690 V | 160 A | 10.4 W | 0.43 kg | 3 |
| NH1AM69V200 | P227897 | 690 V | 200 A | 14.2 W | 0.43 kg | 3 |
| NH1AM69V224 | Q227898 | 690 V | 224 A | 15.8 W | 0.43 kg | 3 |
| NH1AM69V250 | R227899 | 690 V | 250 A | 17.5 W | 0.43 kg | 3 |



NH2AM69V400

Size 2

| Catalog number | Reference number | Rated voltage AC (IEC) | Rated current I _n | Power dissipation at I _n | Weight | Package |
|----------------|------------------|------------------------|------------------------------|-------------------------------------|---------|---------|
| NH2AM69V35 | L227963 | 690 V | 35 A | 1.8 W | 0.64 kg | 3 |
| NH2AM69V40 | M227964 | 690 V | 40 A | 2.1 W | 0.64 kg | 3 |
| NH2AM69V50 | N227965 | 690 V | 50 A | 2.7 W | 0.64 kg | 3 |
| NH2AM69V63 | P227966 | 690 V | 63 A | 3.4 W | 0.64 kg | 3 |
| NH2AM69V80 | Q227967 | 690 V | 80 A | 4.4 W | 0.64 kg | 3 |
| NH2AM69V100 | R227968 | 690 V | 100 A | 5.5 W | 0.64 kg | 3 |
| NH2AM69V125 | S227969 | 690 V | 125 A | 6.4 W | 0.64 kg | 3 |
| NH2AM69V160 | T227970 | 690 V | 160 A | 9.3 W | 0.64 kg | 3 |
| NH2AM69V200 | V227971 | 690 V | 200 A | 11.3 W | 0.64 kg | 3 |
| NH2AM69V224 | W227972 | 690 V | 224 A | 12.2 W | 0.64 kg | 3 |
| NH2AM69V250 | X227973 | 690 V | 250 A | 16.8 W | 0.64 kg | 3 |
| NH2AM69V300 | Y227974 | 690 V | 300 A | 21 W | 0.64 kg | 3 |
| NH2AM69V315 | Z227975 | 690 V | 315 A | 23.1 W | 0.64 kg | 3 |
| NH2AM69V355 | A227976 | 690 V | 355 A | 26.4 W | 0.64 kg | 3 |
| NH2AM69V400 | B227977 | 690 V | 400 A | 29.7 W | 0.64 kg | 3 |



NH3AM69V500

Size 3

| Catalog number | Reference number | Rated voltage AC (IEC) | Rated current I _n | Power dissipation at I _n | Weight | Package |
|----------------|------------------|------------------------|------------------------------|-------------------------------------|---------|---------|
| NH3AM69V250 | D227979 | 690 V | 250 A | 14.6 W | 1.05 kg | 1 |
| NH3AM69V300 | E227980 | 690 V | 300 A | 21 W | 1.05 kg | 1 |
| NH3AM69V315 | F227981 | 690 V | 315 A | 21 W | 1.05 kg | 1 |
| NH3AM69V355 | G227982 | 690 V | 355 A | 23.3 W | 1.05 kg | 1 |
| NH3AM69V400 | H227983 | 690 V | 400 A | 29.1 W | 1.05 kg | 1 |
| NH3AM69V425 | J227984 | 690 V | 425 A | 29.1 W | 1.05 kg | 1 |
| NH3AM69V450 | K227985 | 690 V | 450 A | 34 W | 1.05 kg | 1 |
| NH3AM69V500 | L227986 | 690 V | 500 A | 42 W | 1.05 kg | 1 |

NH fuse-links aM 690VAC

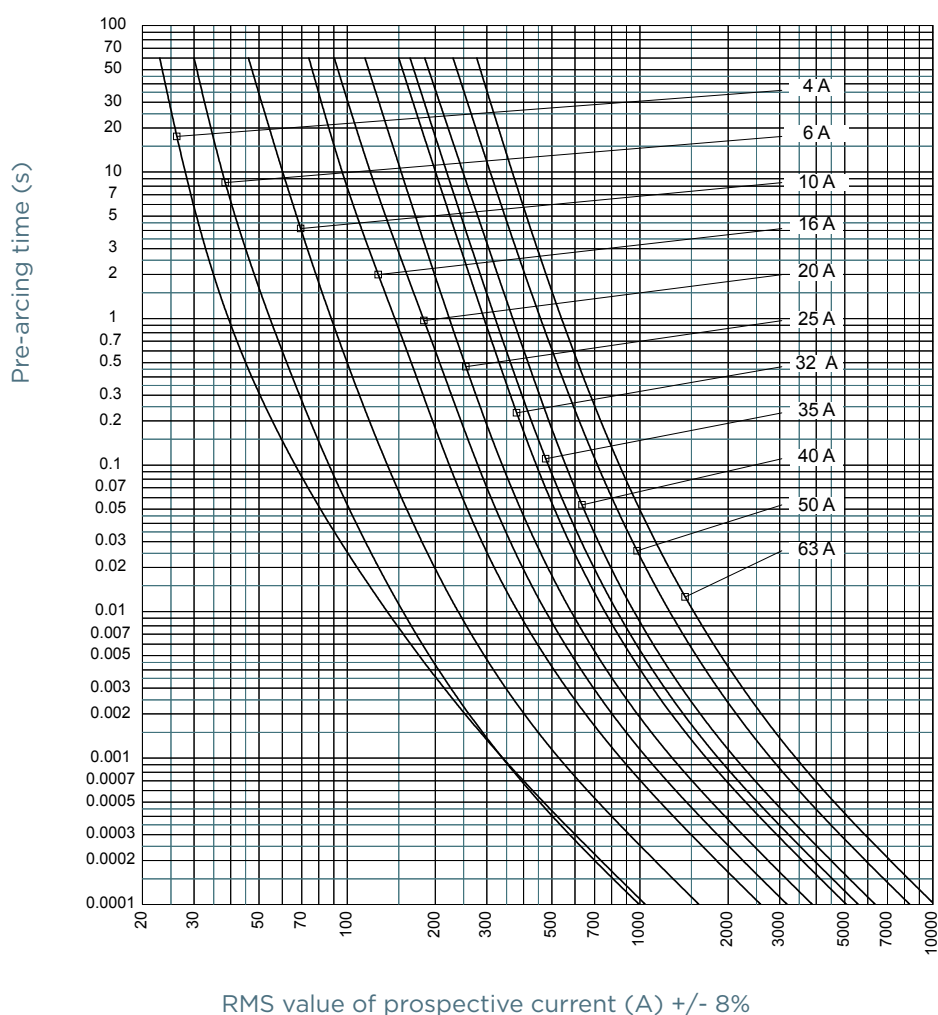
double indicator/live tags size 000, 00, 0, 1, 2, 3

TECHNICAL DATA

| | Size 000 | Size 00 | Size 0 | Size 1 | Size 2 | Size 3 |
|----------------------------|------------------|------------------|------------------|------------------|------------------|------------------|
| Rated current | 2 ... 63 A | 50 ... 125 A | 6 ... 160 A | 16 ... 250 A | 35 ... 400 A | 250 ... 500 A |
| Rated breaking capacity AC | 80 kA | 80 kA | 80 kA | 80 kA | 80 kA | 80 kA |
| Rated voltage AC | 690 V | 690 V | 690 V | 690 V | 690 V | 690 V |
| Indication System | double indicator | double indicator | double indicator | double indicator | double indicator | double indicator |
| Width | 21 mm | 30 mm | 30 mm | 40 mm | 52 mm | 72 mm |

TIME CURRENT CHARACTERISTIC CURVES

Size 000



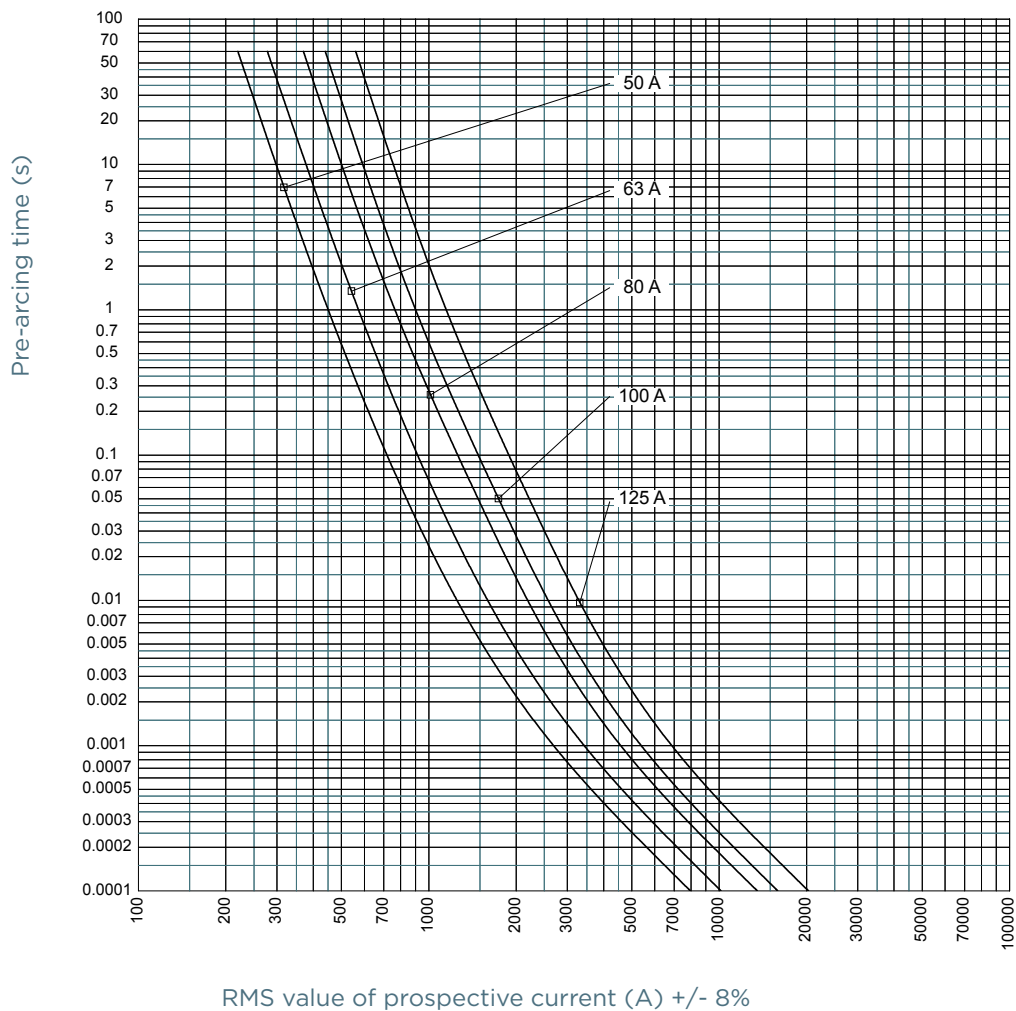
MERSEN reserves the right to change, update or correct, without notice, any information contained in this datasheet.

NH fuse-links aM 690VAC

double indicator/live tags size 000, 00, 0, 1, 2, 3

TIME CURRENT CHARACTERISTIC CURVES

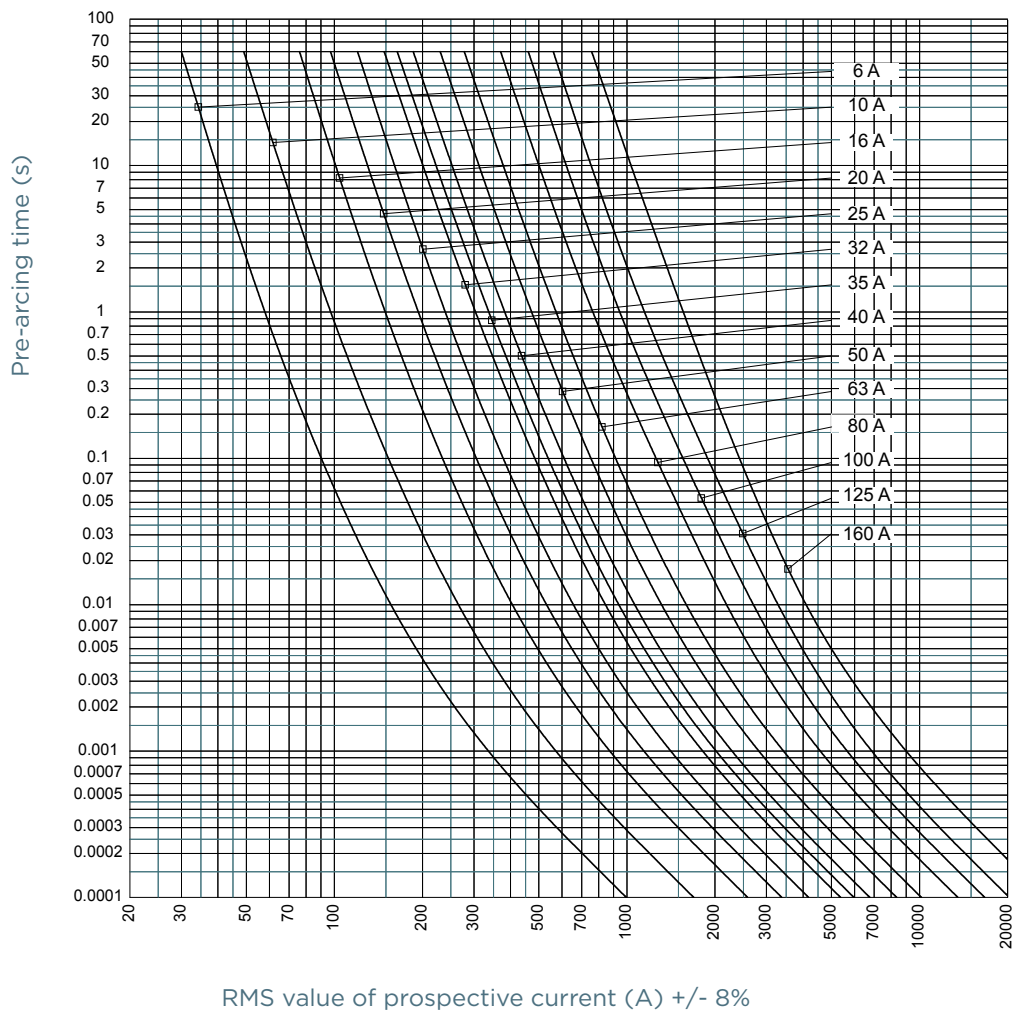
Size 00



MERSEN reserves the right to change, update or correct, without notice, any information contained in this datasheet.

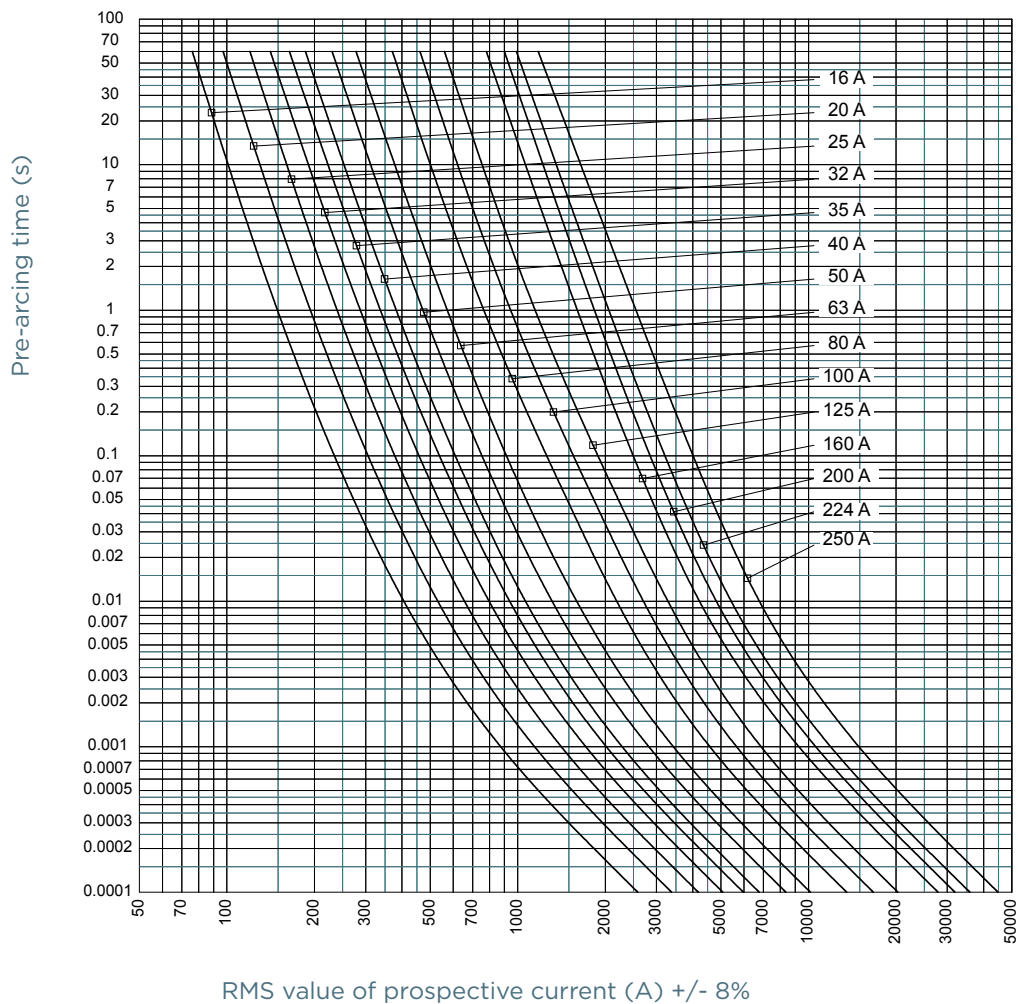
TIME CURRENT CHARACTERISTIC CURVES

Size 0



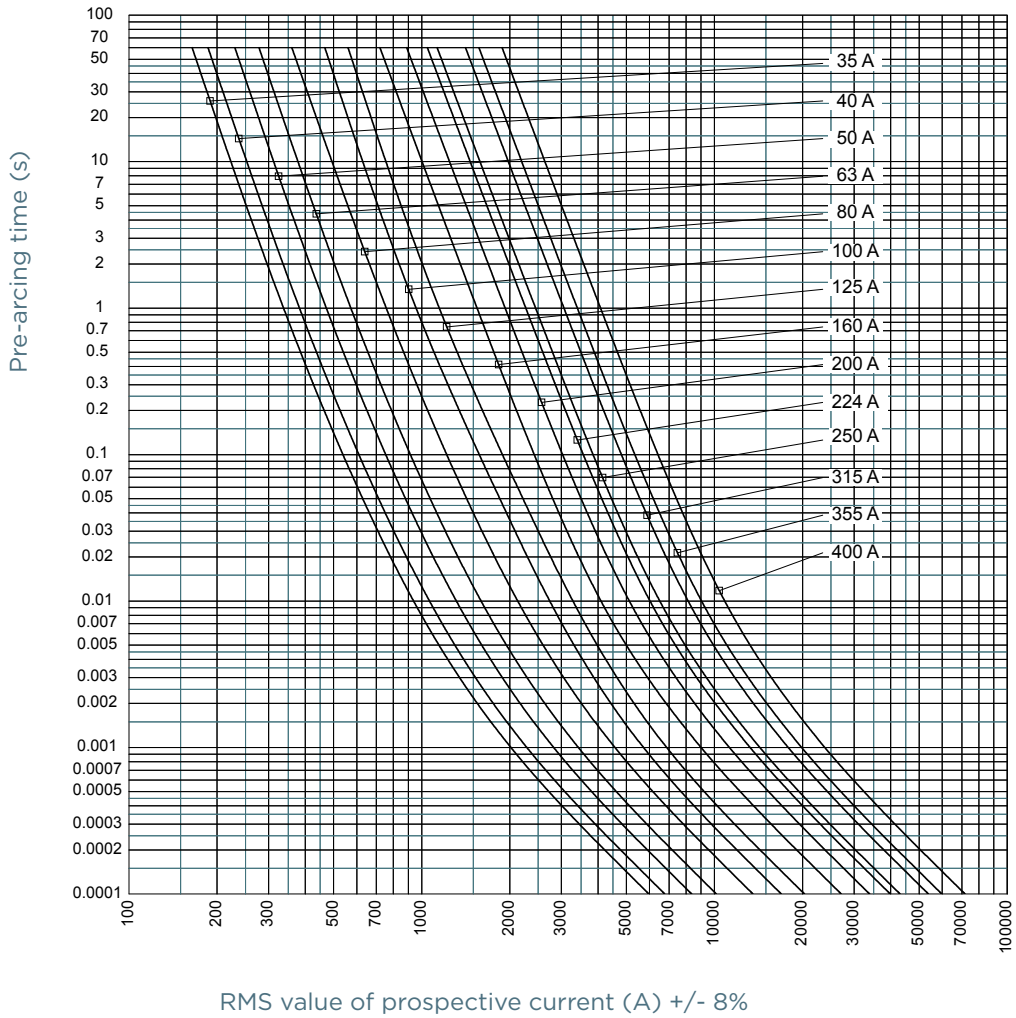
TIME CURRENT CHARACTERISTIC CURVES

Size 1



TIME CURRENT CHARACTERISTIC CURVES

Size 2



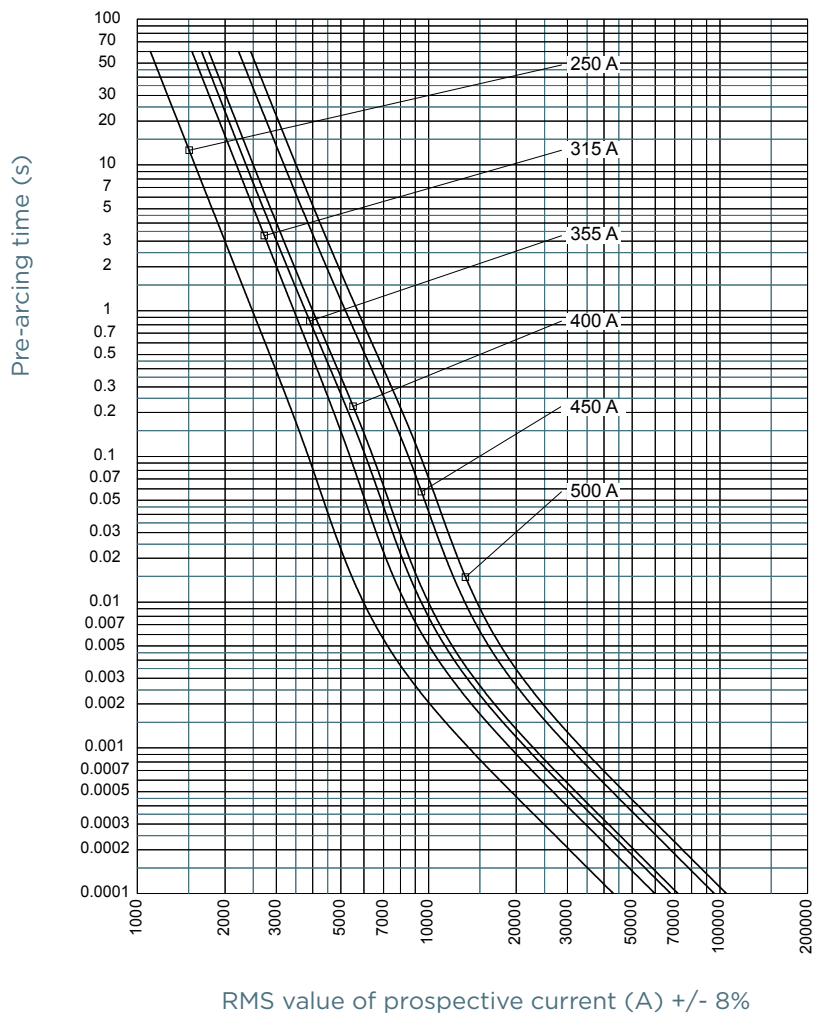
MERSEN reserves the right to change, update or correct, without notice, any information contained in this datasheet.

NH fuse-links aM 690VAC

double indicator/live tags size 000, 00, 0, 1, 2, 3

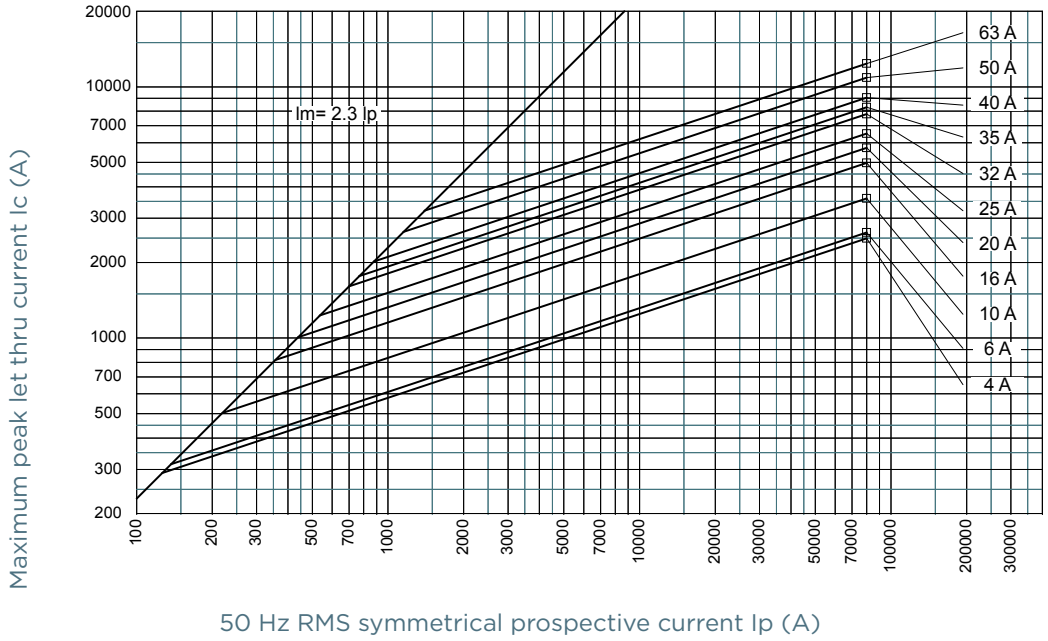
TIME CURRENT CHARACTERISTIC CURVES

Size 3

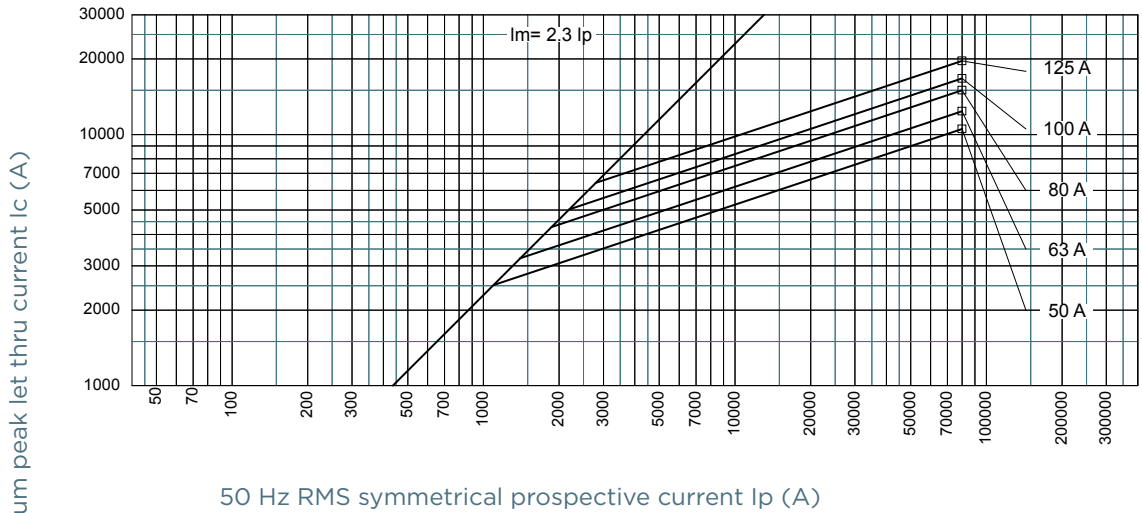


CUT-OFF CURRENT CHARACTERISTIC

Size 000



Size 00

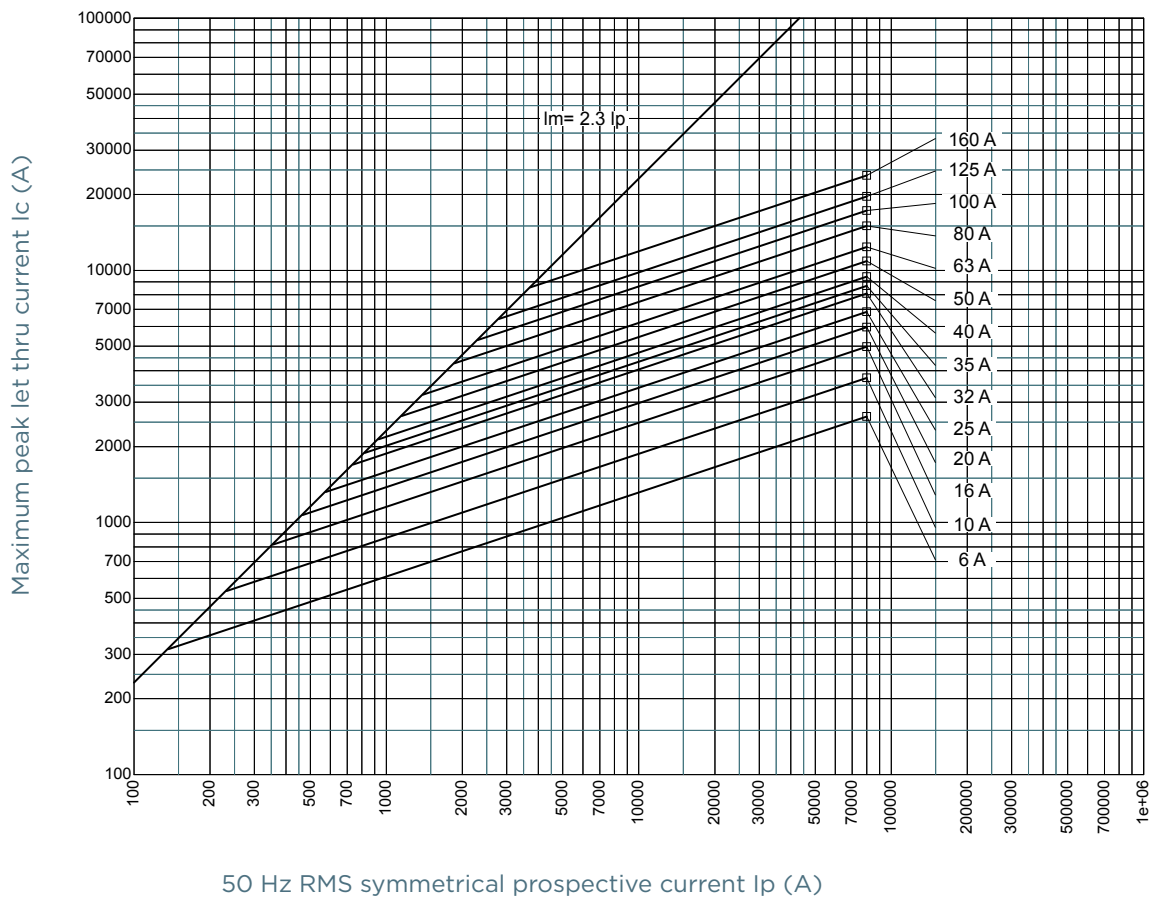


NH fuse-links aM 690VAC

double indicator/live tags size 000, 00, 0, 1, 2, 3

CUT-OFF CURRENT CHARACTERISTIC

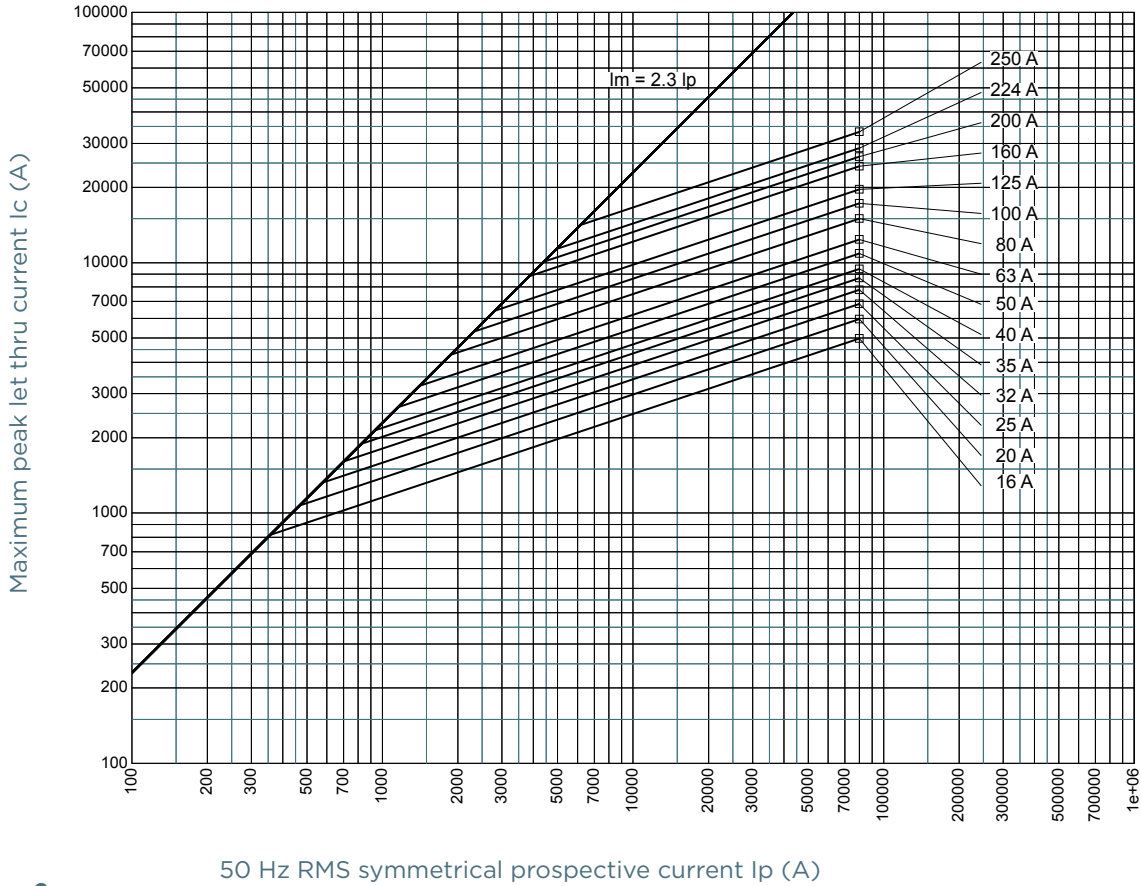
Size 0



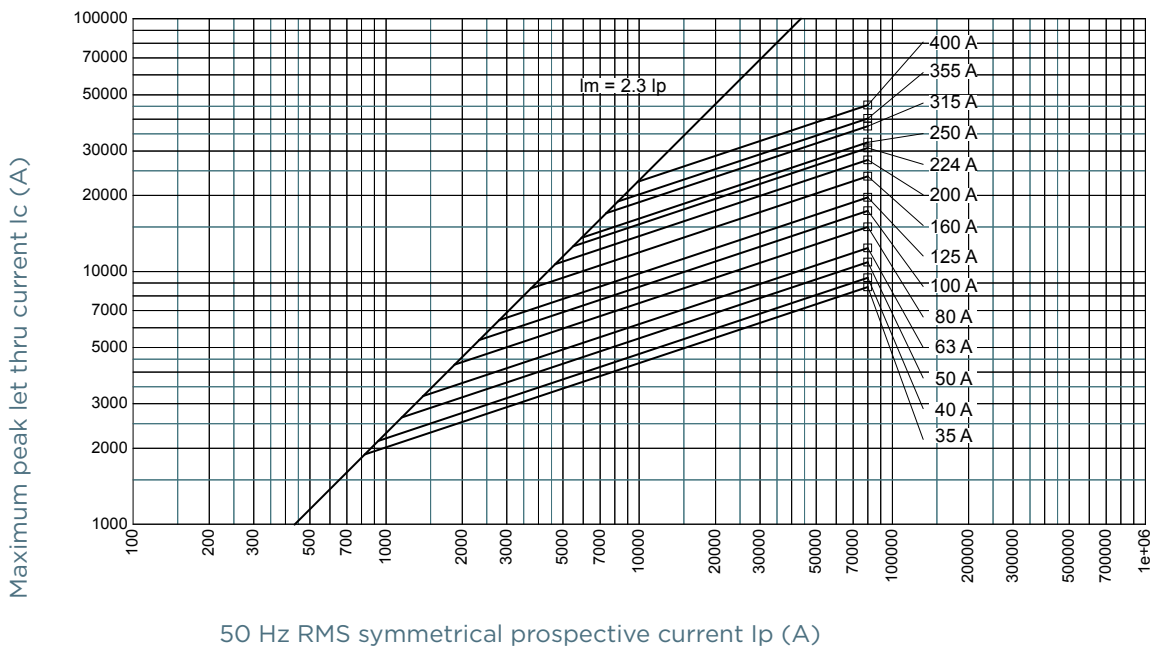
MERSEN reserves the right to change, update or correct, without notice, any information contained in this datasheet.

CUT-OFF CURRENT CHARACTERISTIC

Size 1

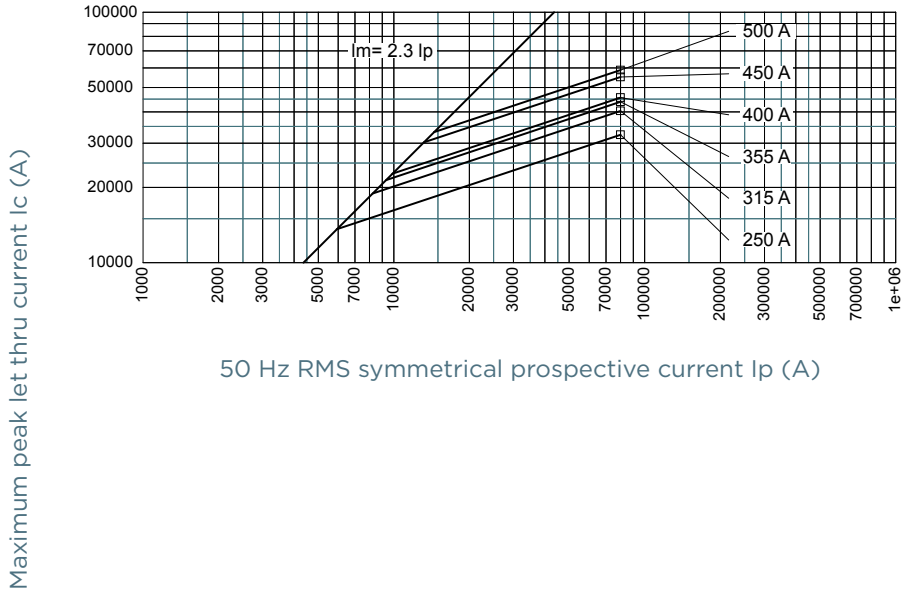


Size 2



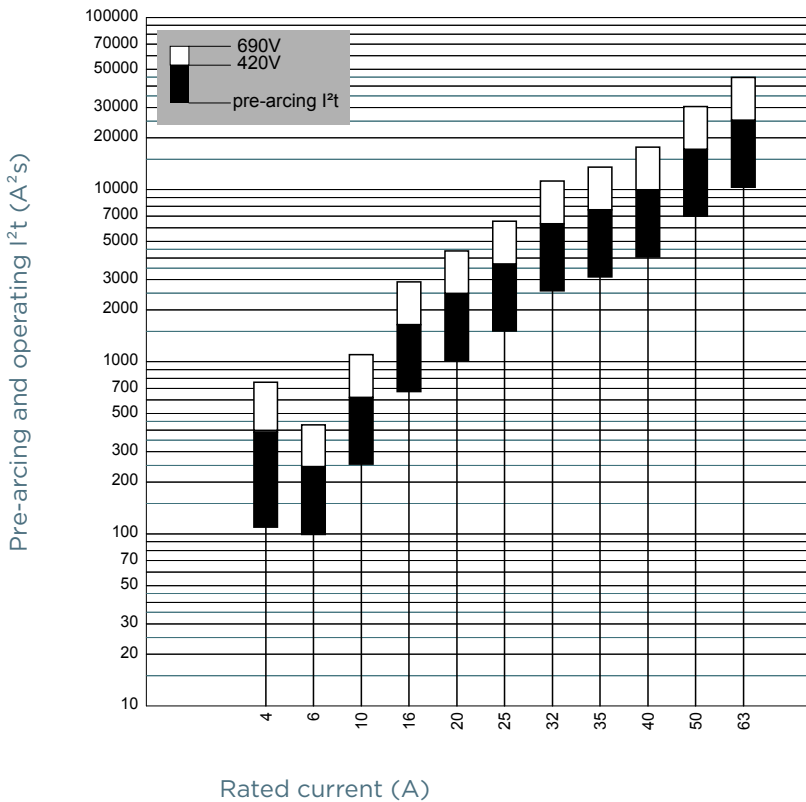
CUT-OFF CURRENT CHARACTERISTIC

Size 3



PRE-ARCING AND OPERATING I^2t CHARACTERISTICS

Size 000

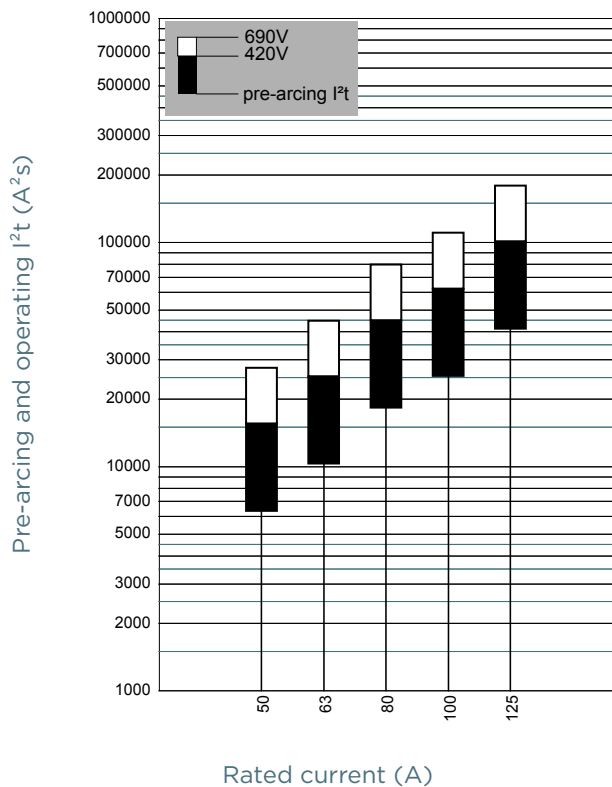


NH fuse-links aM 690VAC

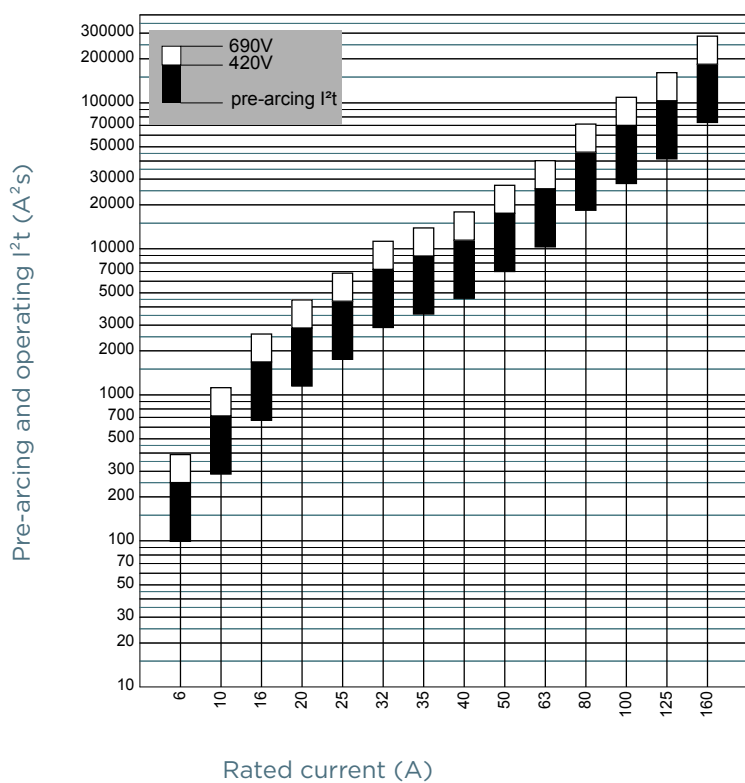
double indicator/live tags size 000, 00, 0, 1, 2, 3

PRE-ARCING AND OPERATING I²t CHARACTERISTICS

Size 00



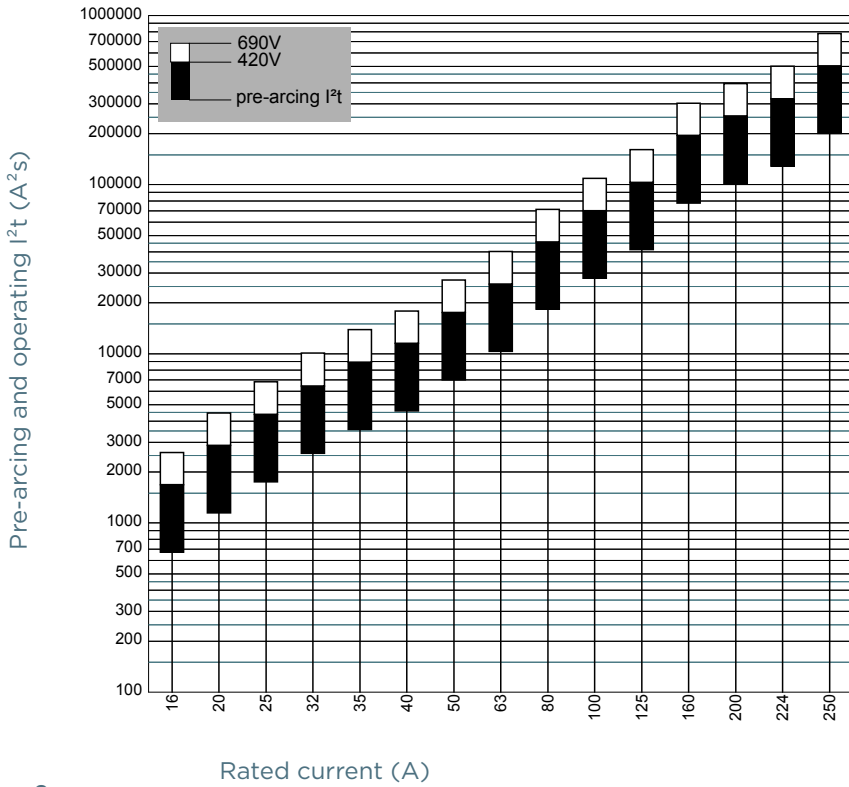
Size 0



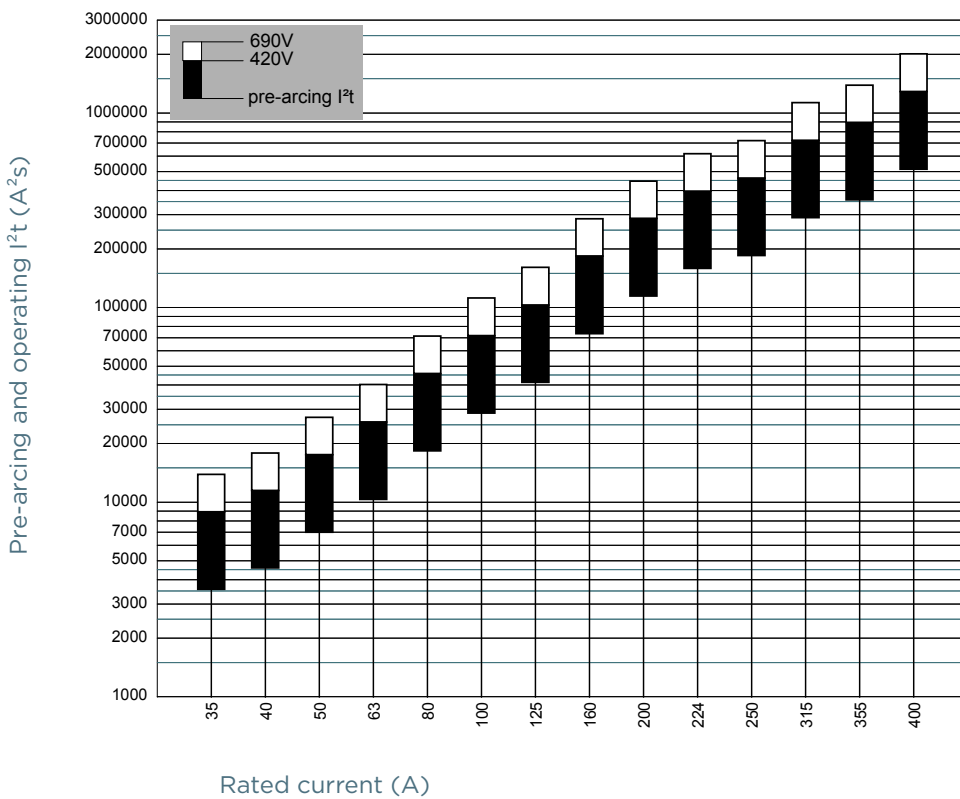
MERSEN reserves the right to change, update or correct, without notice, any information contained in this datasheet.

PRE-ARCING AND OPERATING I²t CHARACTERISTICS

Size 1

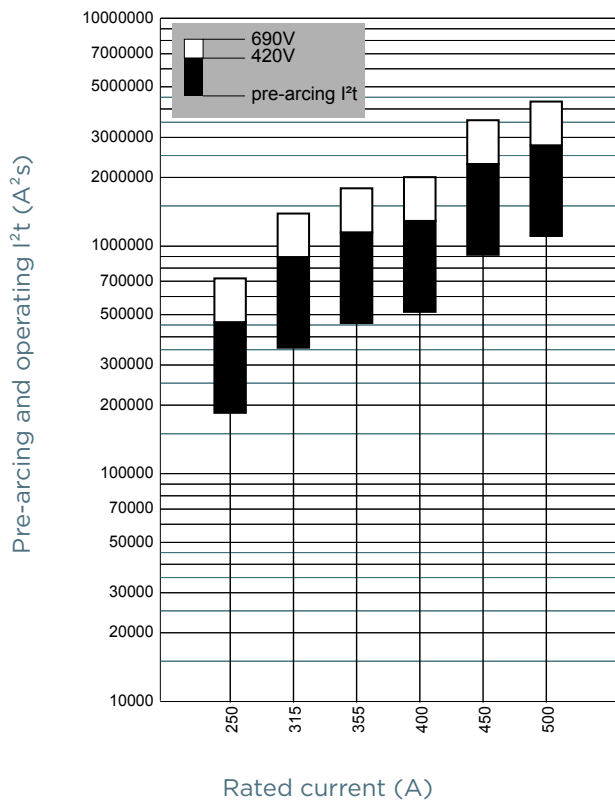


Size 2



PRE-ARCING AND OPERATING I²t CHARACTERISTICS

Size 3

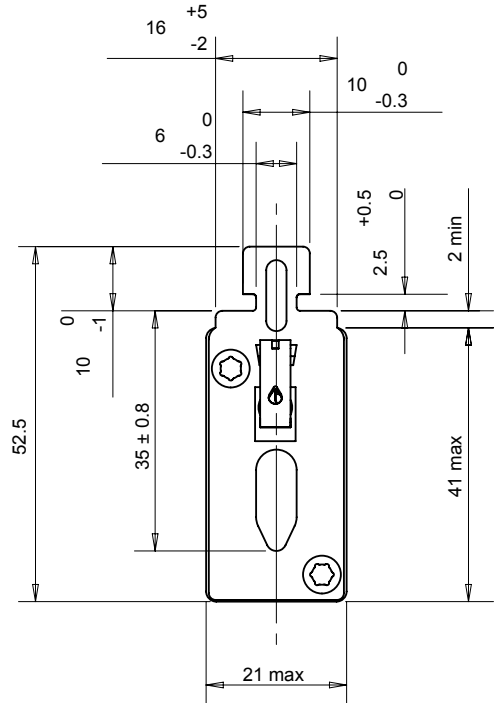
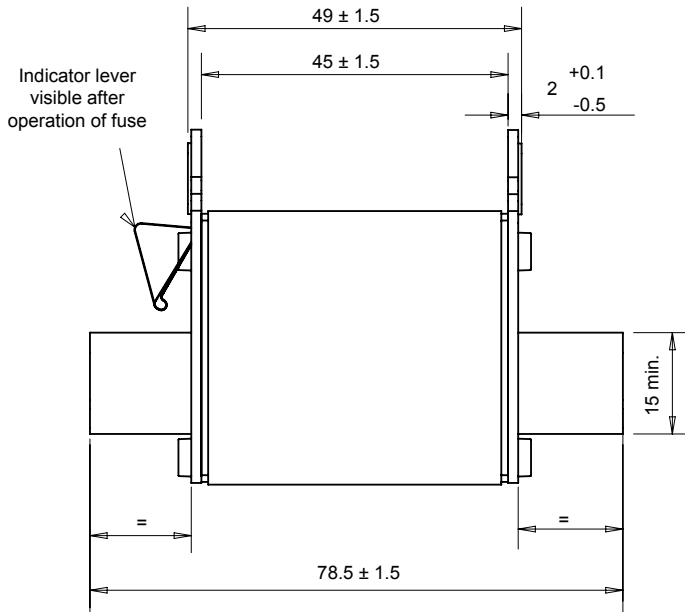


NH fuse-links aM 690VAC

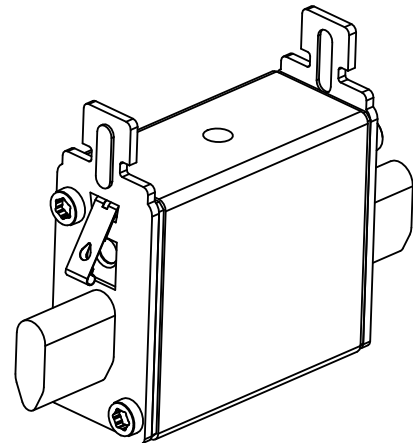
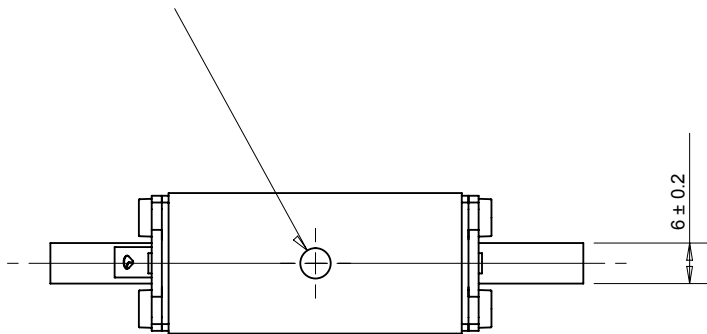
double indicator/live tags size 000, 00, 0, 1, 2, 3

DIMENSIONS

size 000 with double indicator



Visibility of red indicator signals conduction of the fuse-link.
After operation the red indicator is no longer visible



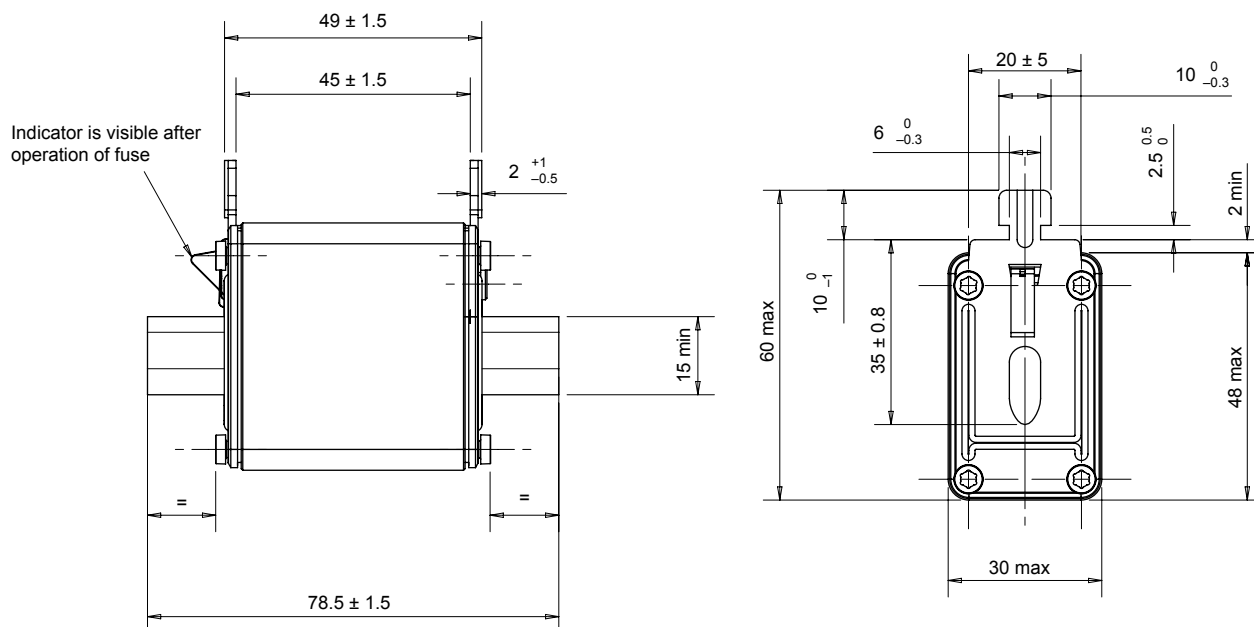
Dimensions in mm

NH fuse-links aM 690VAC

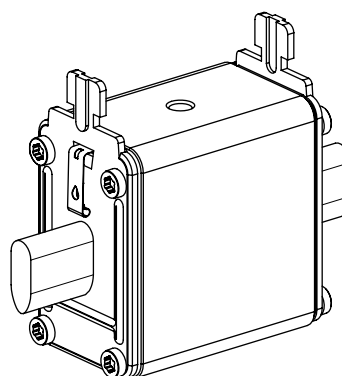
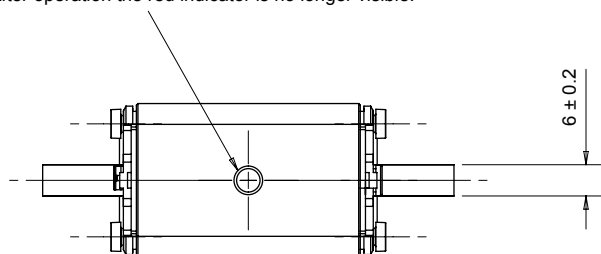
double indicator/live tags size 000, 00, 0, 1, 2, 3

DIMENSIONS

size 00 with double indicator



- Visibility of red indicator signals conduction of the fuse-link. After operation the red indicator is no longer visible.



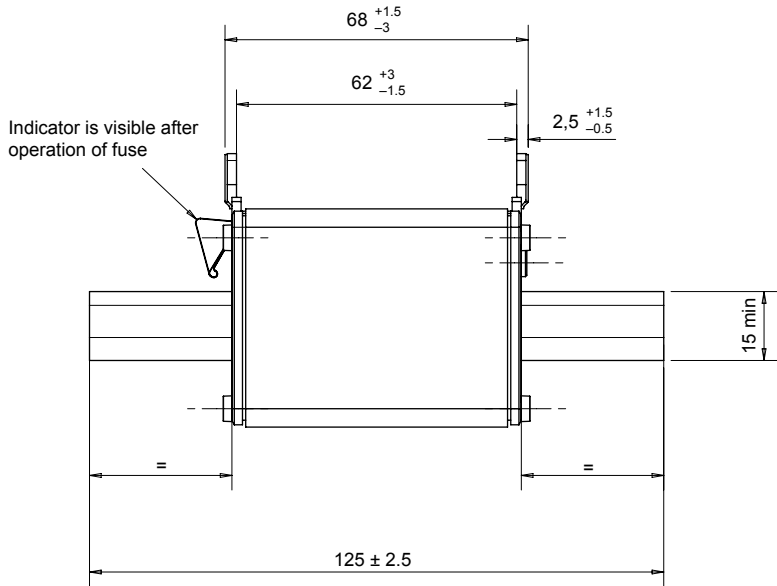
Dimensions in mm

NH fuse-links aM 690VAC

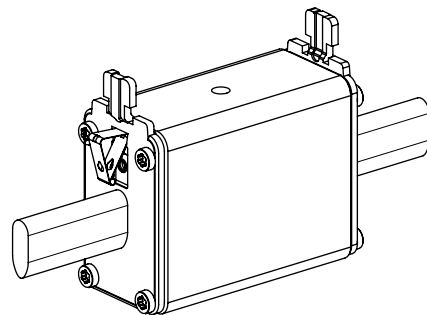
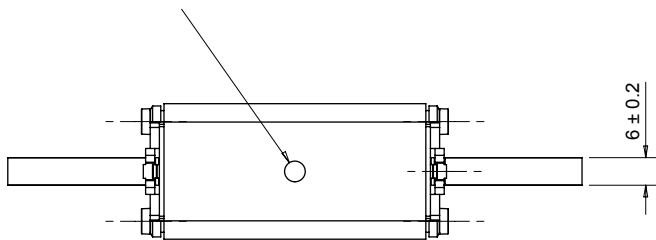
double indicator/live tags size 000, 00, 0, 1, 2, 3

DIMENSIONS

size 0 with double indicator



Visibility of red indicator signals conduction of the fuse-link. After operation the red indicator is no longer visible.



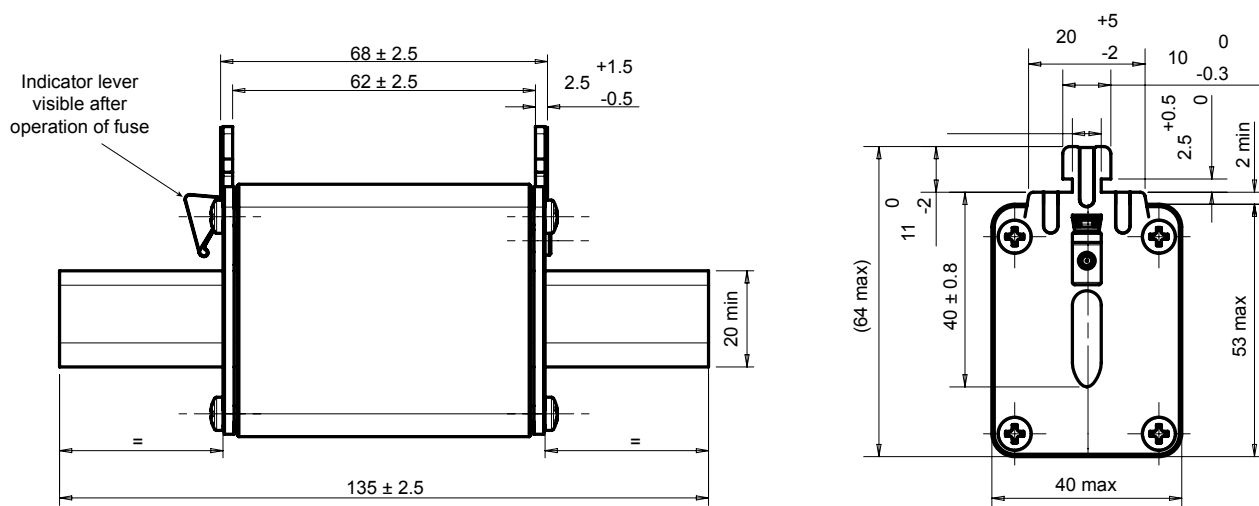
Dimensions in mm

NH fuse-links aM 690VAC

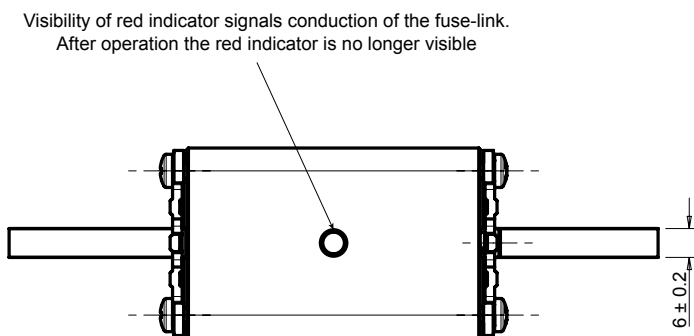
double indicator/live tags size 000, 00, 0, 1, 2, 3

DIMENSIONS

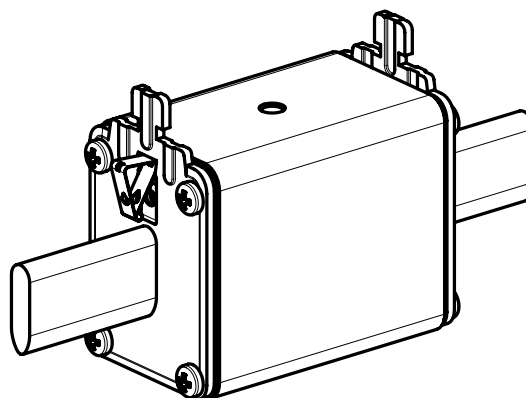
size 1 with double indicator



Indicator lever visible after operation of fuse



Dimensions in mm

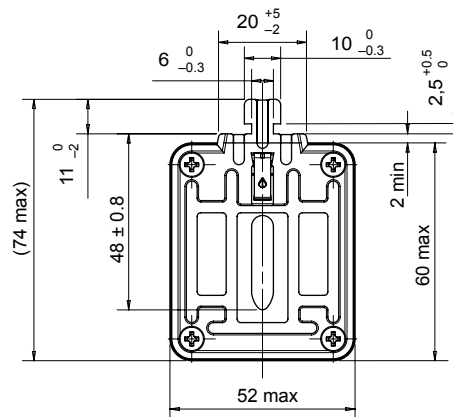
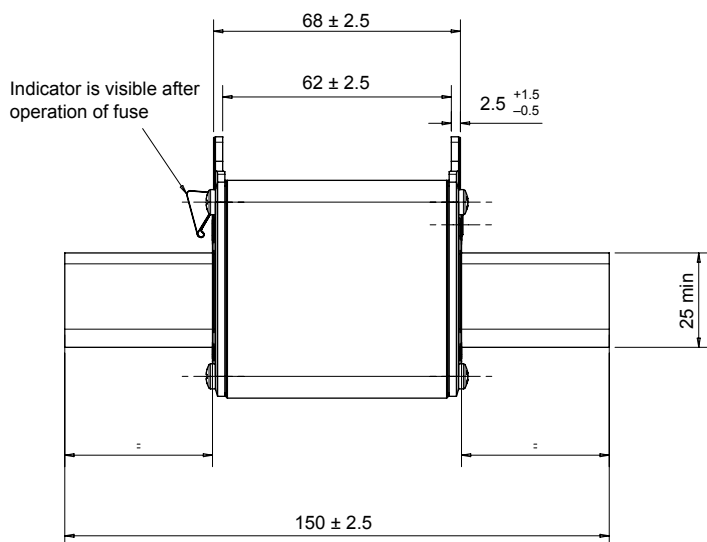


NH fuse-links aM 690VAC

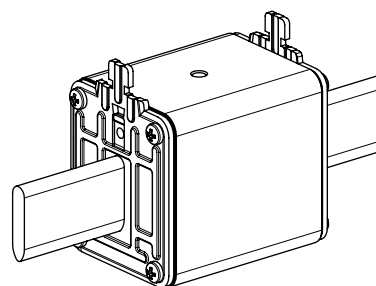
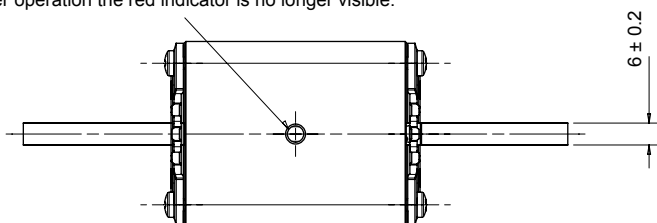
double indicator/live tags size 000, 00, 0, 1, 2, 3

DIMENSIONS

size 2 with double indicator



Visibility of red indicator signals conduction of the fuse-link.
After operation the red indicator is no longer visible.



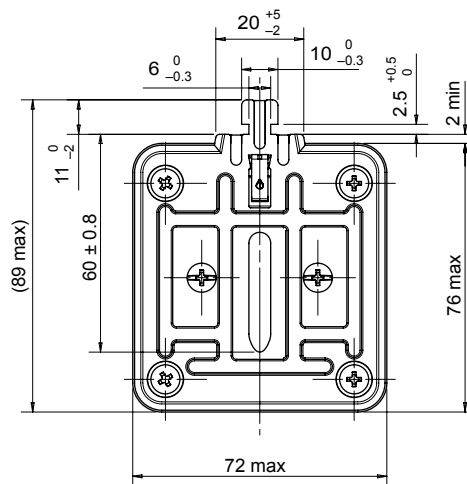
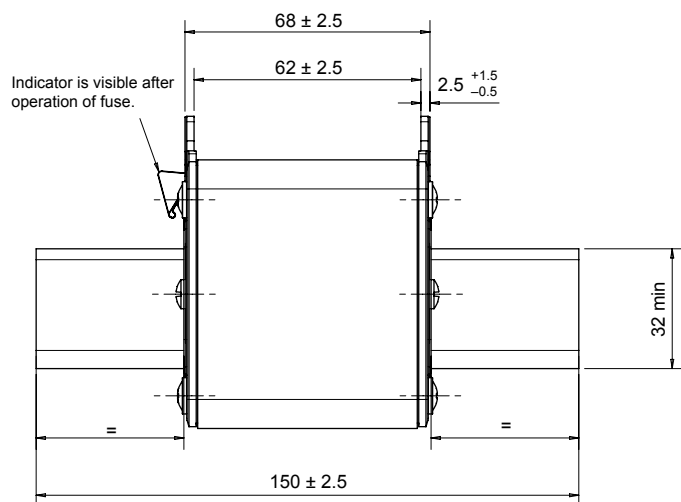
Dimensions in mm

NH fuse-links aM 690VAC

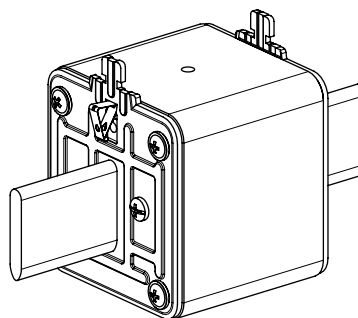
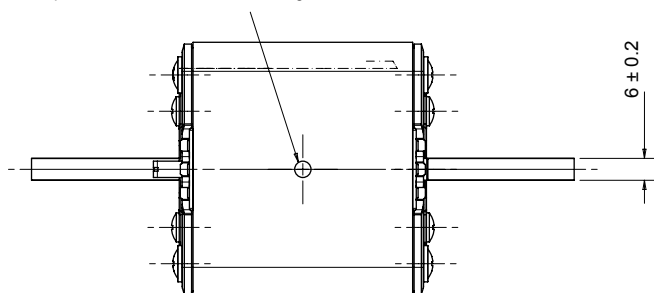
double indicator/live tags size 000, 00, 0, 1, 2, 3

DIMENSIONS

size 3 with double indicator



Visibility of red indicator signals conduction of the fuse-link. After operation the red indicator is no longer visible.



Dimensions in mm