



ENGLISH

Product Datasheet

Chain Adjust C Hook Wrench



Specifications:

Chrome vanadium hardened steel.

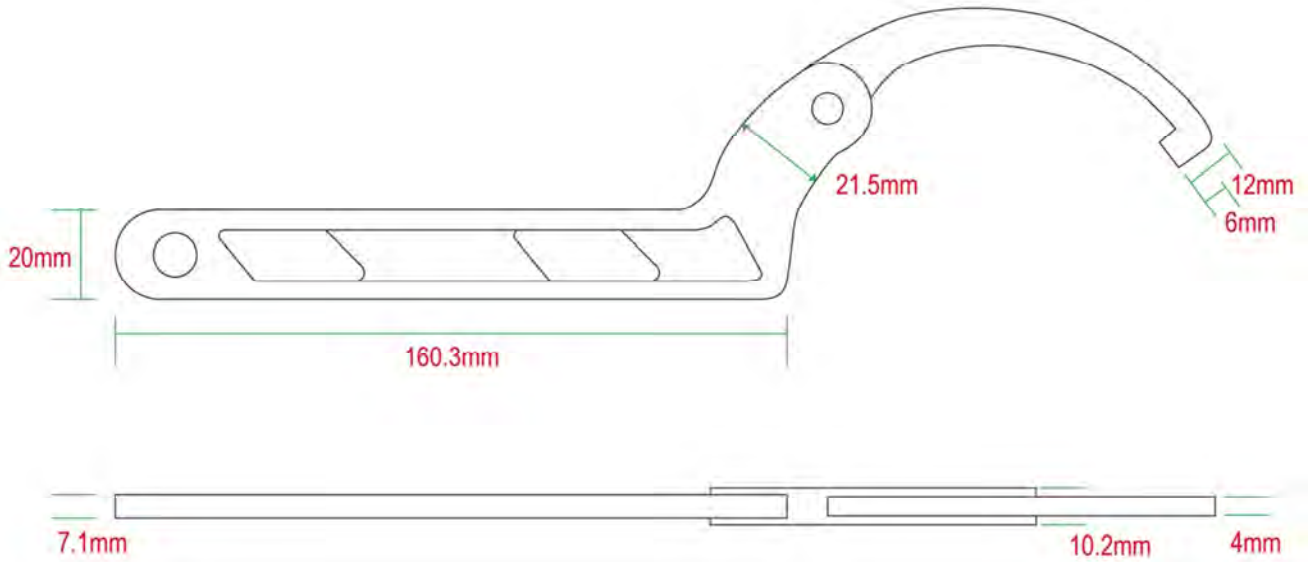
Tempered C-hook wrench is specially designed for use with slotted retaining rings, such as motorcycle monoshock suspension and rear wheel hub's eccentric axle for chain elasticity.

Thin and adjustable hook enables access in confined areas (4mm thickness).

Size range: 118.3-158.8mm (4 2/1" - 6 4/1").

Material: S45C

Dimensions:



Operating Instructions:

