



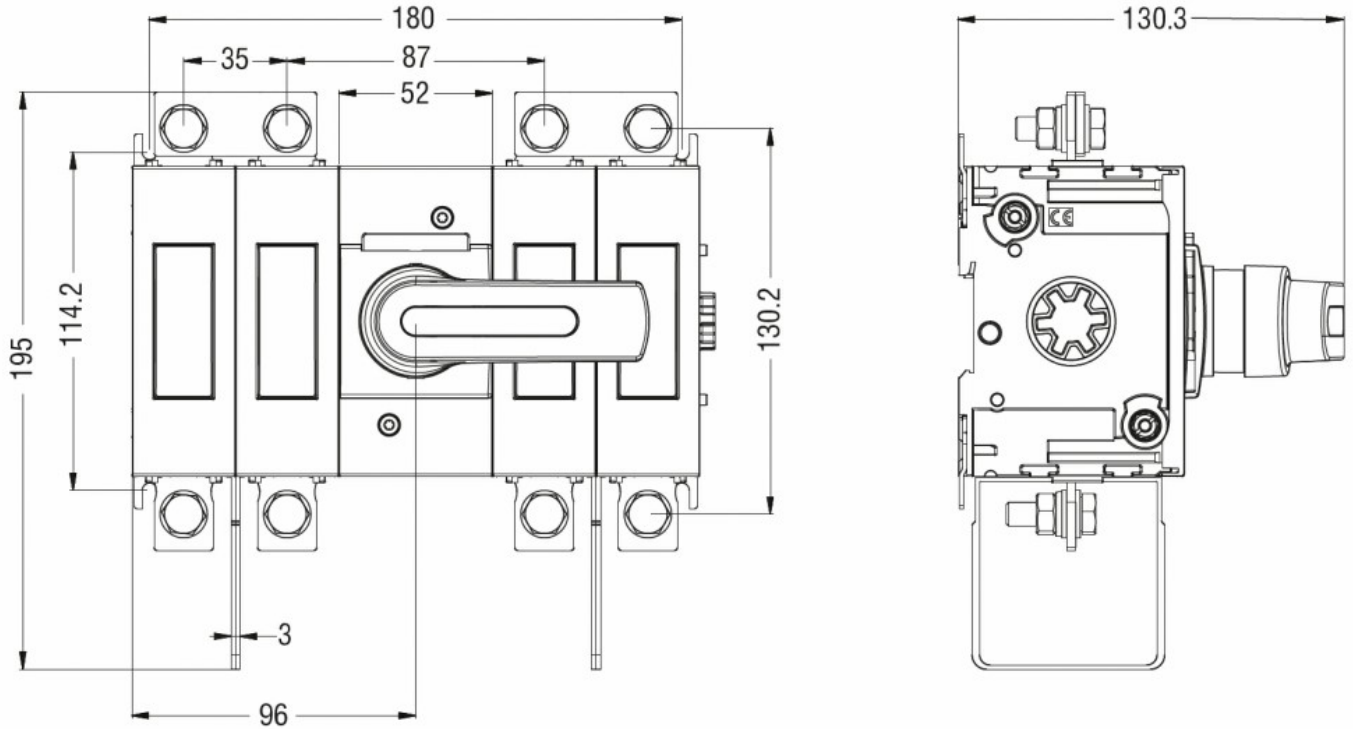
Product designation				Switch disconnecter
Product type designation				GLD
Number of poles		Nr.	4	
Operating voltage type				DC
<b>Contact characteristics</b>				
IEC Conventional free air thermal current $I_{th} \leq 40^\circ\text{C}$		A	160	
Rated insulation voltage $U_i$ IEC/EN		V	1500	
Operating current $I_e$				
	DC21B			
		600V	A	160
		800V	A	160
		1000V	A	160
		1200V	A	160
		1500V	A	160
	DCPV1			
		600V	A	160
		800V	A	160
		1200V	A	160
		1500V	A	160
<b>Mechanical features</b>				
Operating position		normal allowable	Vertical plan Any	
Fixing				Screw / DIN rail 35mm
Terminals		type	M8 x 25	
Tightening torque for terminals		min	Nm	15
		max	Nm	22
		min	lbin	132
		max	lbin	194
Conductor section		IEC min	mm <sup>2</sup>	70
		IEC max	mm <sup>2</sup>	185
		AWG/kcmil min		00
		AWG/kcmil max	kcmil	400
<b>Ambient conditions</b>				
Operating temperature		min	°C	-25
		max	°C	+55
Storage temperature		min	°C	-40
		max	°C	+70
Max altitude			m	3000

**Resistance & Protection**

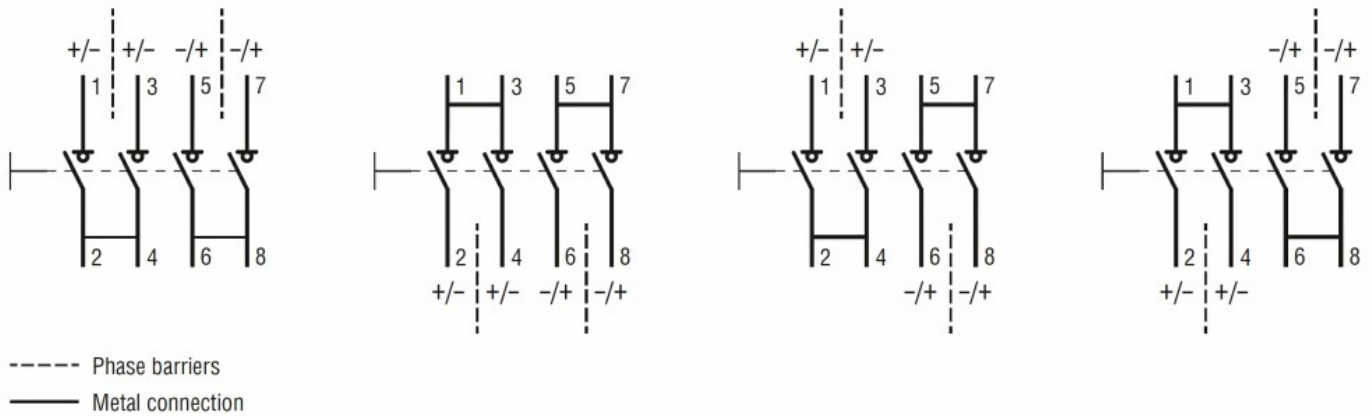
Pollution degree

3

**Dimensions**



**Wiring diagrams**



**Certifications and compliance**

Compliance

IEC/EN/BS 60947-1  
IEC/EN/BS 60947-3

Certifications

CE

**ETIM classification**

ETIM 8.0

EC000216 -  
Switch  
disconnecter