



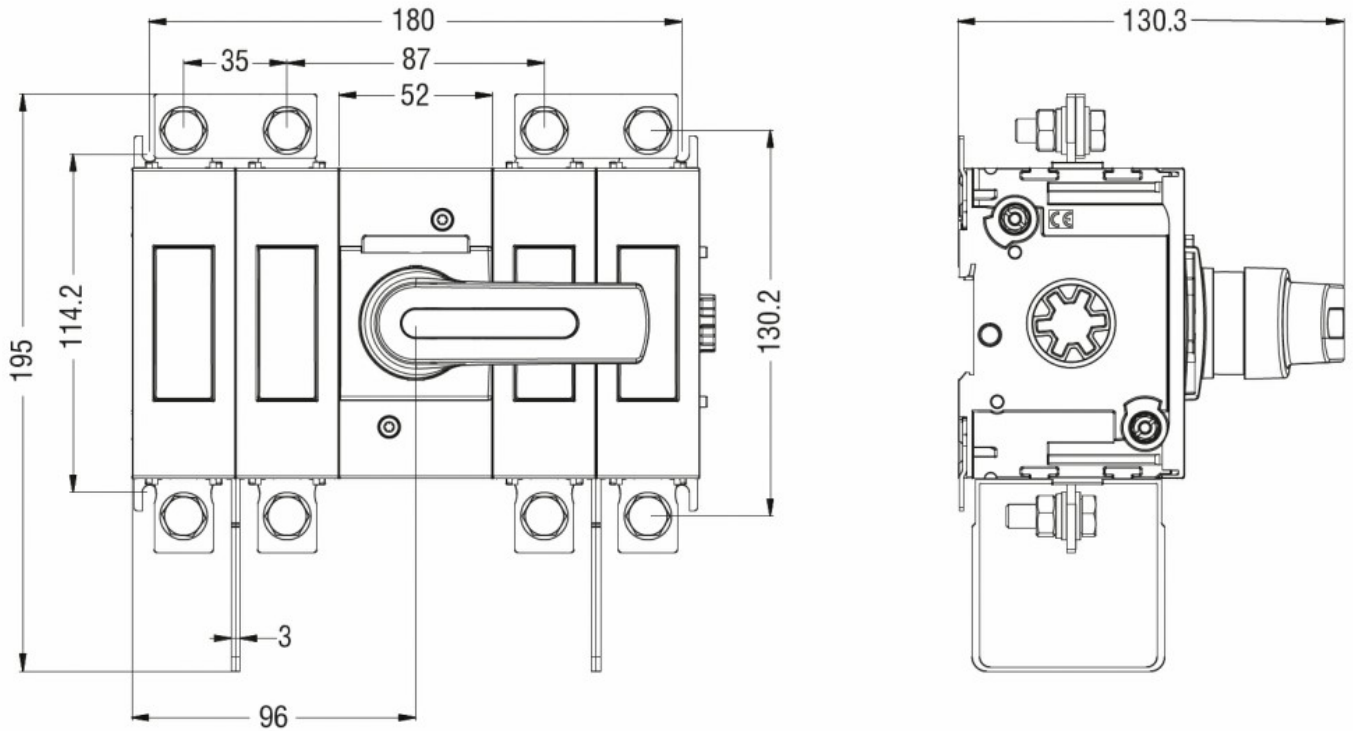
Product designation				Switch disconnecter
Product type designation				GLD
Number of poles		Nr.	4	
Operating voltage type				DC
Contact characteristics				
IEC Conventional free air thermal current $I_{th} \leq 40^\circ\text{C}$		A	250	
Rated insulation voltage U_i IEC/EN		V	1500	
Operating current I_e				
	DC21B			
		600V	A	250
		800V	A	250
		1000V	A	250
		1200V	A	250
		1500V	A	250
	DCPV1			
		600V	A	250
		800V	A	250
		1200V	A	250
		1500V	A	250
Mechanical features				
Operating position		normal allowable	Vertical plan Any	
Fixing			Screw / DIN rail 35mm	
Terminals		type	M8 x 25	
Tightening torque for terminals		min	Nm	15
		max	Nm	22
		min	lbin	132
		max	lbin	194
Conductor section		IEC min	mm ²	70
		IEC max	mm ²	185
		AWG/kcmil min		00
		AWG/kcmil max	kcmil	400
Ambient conditions				
Operating temperature		min	°C	-25
		max	°C	+55
Storage temperature		min	°C	-40
		max	°C	+70
Max altitude			m	3000

Resistance & Protection

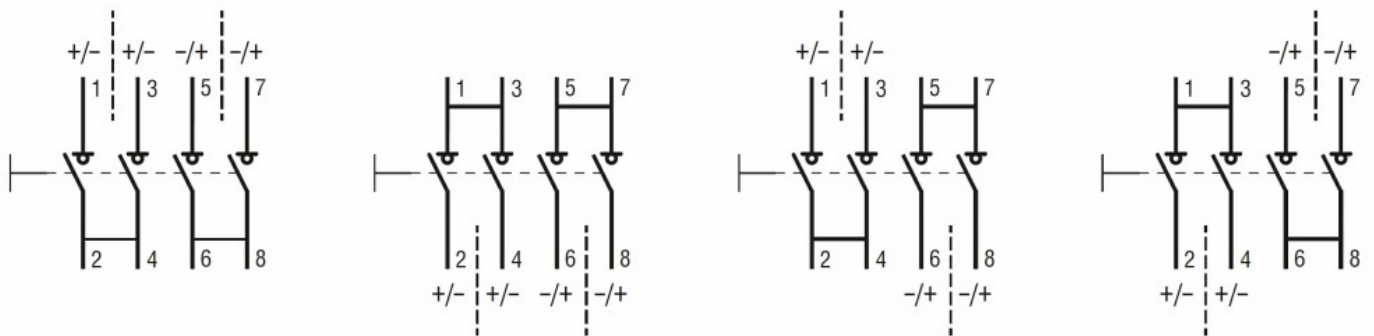
Pollution degree

3

Dimensions



Wiring diagrams



----- Phase barriers
——— Metal connection

Certifications and compliance

Compliance

IEC/EN/BS 60947-1
IEC/EN/BS 60947-3

Certifications

CE

ETIM classification

ETIM 8.0

EC000216 -
Switch
disconnecter