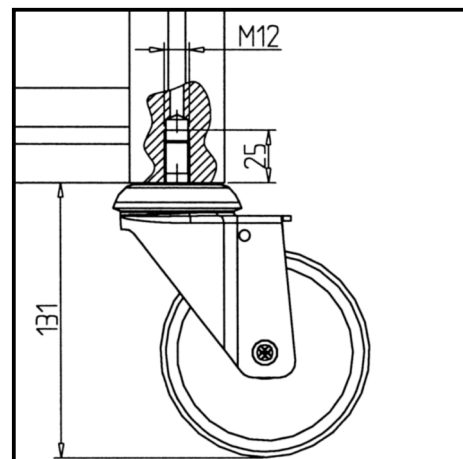
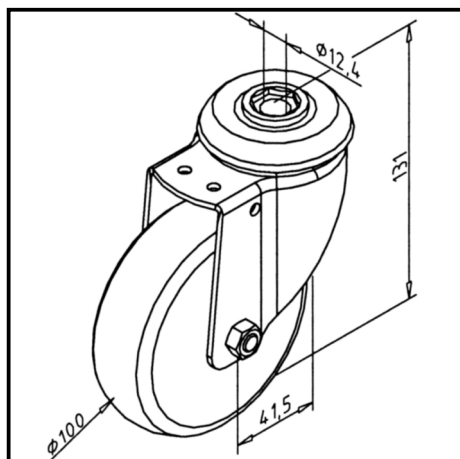


SWIVEL CASTOR WITHOUT BRAKE D 100 X 131

Article Nr. 21.0030/0

[See the product on the website](#) →

[Download CAD Files](#) →



TECHN. DATA / ITEMS SUPPLIED

- Steel, galvanized
- Tire, rubber, grey
- With fastening material steel, zinc plated
- Load capacity 100 kg
- **Other versions upon request**
- Weight = 0.660 kg/piece

APPLICATIONS

- Movable tables
- Work stands
- Display windows, showcases

ASSEMBLY

- Connect directly to the central bore of the vertical profile with supplied hardware, drill and introduce thread M12
- A connection plate is required if the roller is to be positioned centrally with profile cross sections 45 x 90 or 90 x 90