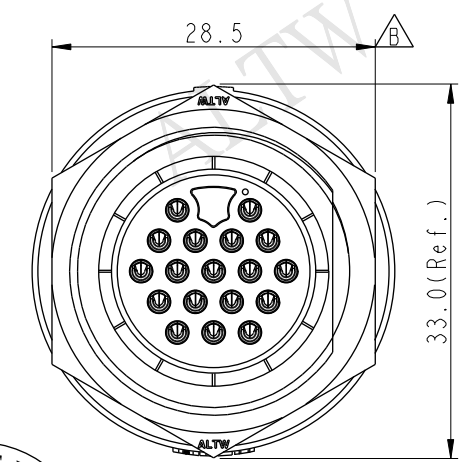
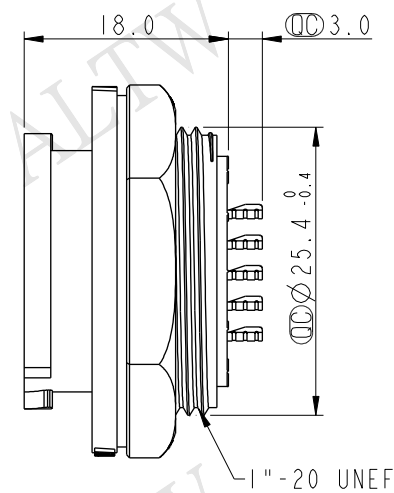
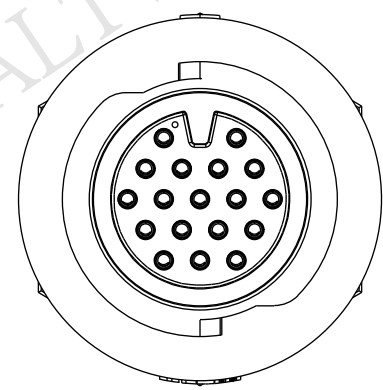


THIS DOCUMENT IS SUBJECT TO CHANGE WITHOUT NOTICE. IT IS CONFIDENTIAL AND A PROPERTY OF AMPHENOL LTW. DISCLOSURE TO THIRD PARTY HAS TO BE AUTHORIZED BY AMPHENOL LTW.

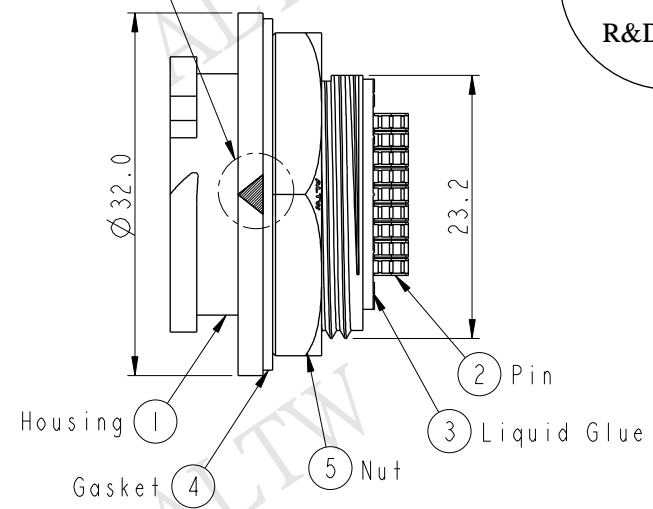
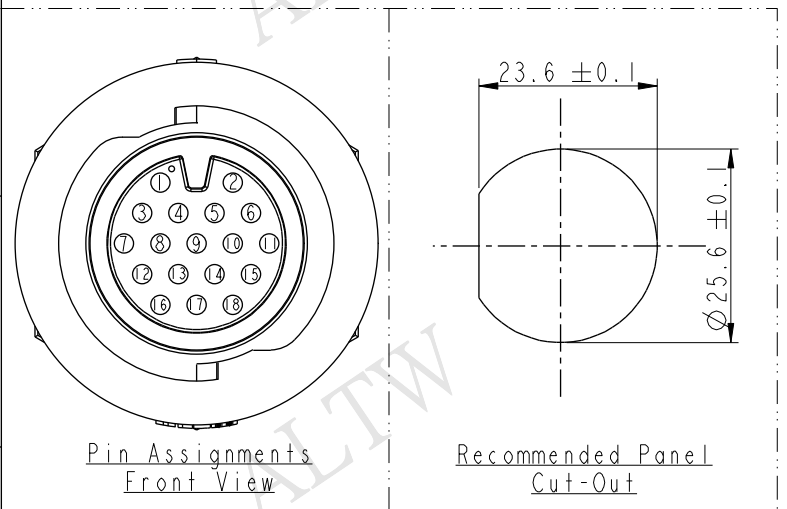
REV.	ECN NO.	DATE	SIGN	DESCRIPTION
B	LEN1660029	2016/05/26	Vicky	Update Nut Dime

ALTW
 DCC. DEPT.
 CONFIDENTIAL
 2016.06.01
 ISSUED



ALTW
 CONFIDENTIAL
 2016-05-26
 R&D DEPT.

☉ White Printing



- Note:
- * ☉ Important Dimension To Check.
 - * Waterproof Rate: IP68
 - * Working Voltage Rating: AC 300V
 - * Working Current: 5A
 - * Housing: Nylon+GF, Black
 - * Female Pin: Copper Alloy, Gold Plated
 - * Liquid Glue: Black
 - * Nut: Nylon+GF, Black
 - * Gasket: Silicone, Gray
 - * Panel Thickness Max: 3.6mm

UNIT:mm		TITLE X-Lok D Size Receptacle Rear 18P M Conn F Pin	
TOLERANCE		SCALE 3:2	SHEET 1 OF 1
.X ±0.25		SIZE A4	REV. B
.XX ±0.1		WC-REV. A.2	☉: Inspection item
.XXX ±0.05			
ANGLES ±1°			

Amphenol LTW
 安費諾亮泰企業股份有限公司

ITEM NO DD-18RMFS-QC8001	DRAWN BY Vicky	DATE 2016-05-26
DWG NO DD-18RMFS-QC8001	CHECKED BY Rita	DATE 2016-05-26
CUSTOMER ALTW	APPROVED BY Lisa	DATE 2016-05-26

