

FEATURES

- Maximum Offset Voltage: 1mV
- Maximum Bias Current: 15nA
- Typical Output Drive: 70mA
- Operates from 1.1V to 40V
- Internal Pull-Up Current
- Output Can Drive Loads Above V^+
- 30 μ A Supply Current (LT1017)
110 μ A Supply Current (LT1018)
- Available in 8-Lead PDIP, 8-Lead Plastic SO, and 16-Lead Plastic SO Packages

APPLICATIONS

- Power Supply Monitors
- Relay Driving
- Oscillators

LT, LT, LTC and LTM are registered trademarks of Linear Technology Corporation. All other trademarks are the property of their respective owners.

DESCRIPTION

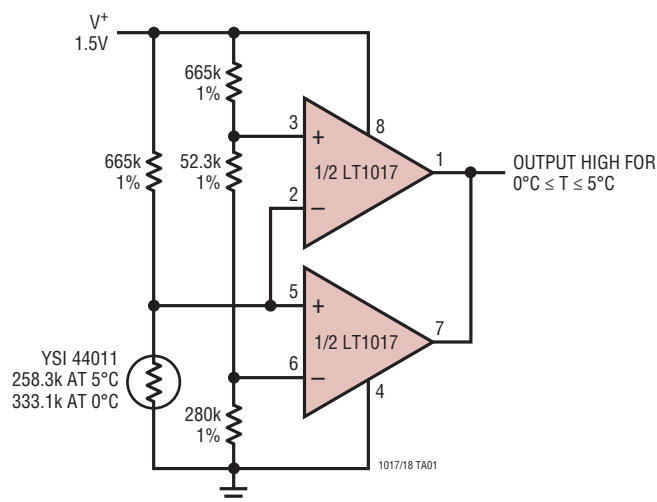
The LT[®]1017/LT1018 are general purpose micropower comparators. The LT1017 is optimized for lowest operating power while the LT1018 operates at higher power and higher speed. Both devices can operate from a single 1.1V cell up to 40V. The output stage includes a class "B" pull-up current source, eliminating the need for an external resistive pull-up and saving power. The output stage is also designed to allow driving loads connected to a supply more positive than the device, as can comparators with open-collector output stages.

Input specifications are also excellent. On-chip trimming minimizes offset voltage, while high gain and common mode rejection ratio keep other input referred errors low. Common mode voltage range includes ground. Special circuitry prevents false output states even if the input is overdriven.

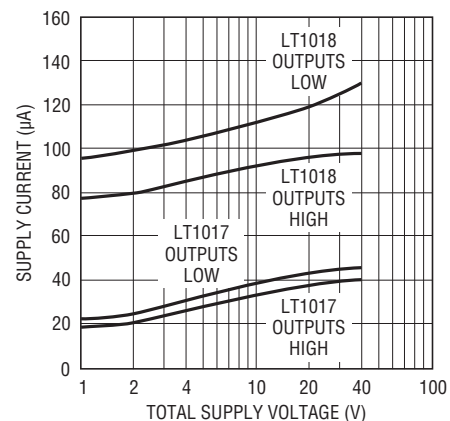
The LT1017/LT1018 are pin compatible with older dual comparators such as 393 type devices.

TYPICAL APPLICATION

1.5V Powered Refrigerator Alarm



Supply Current



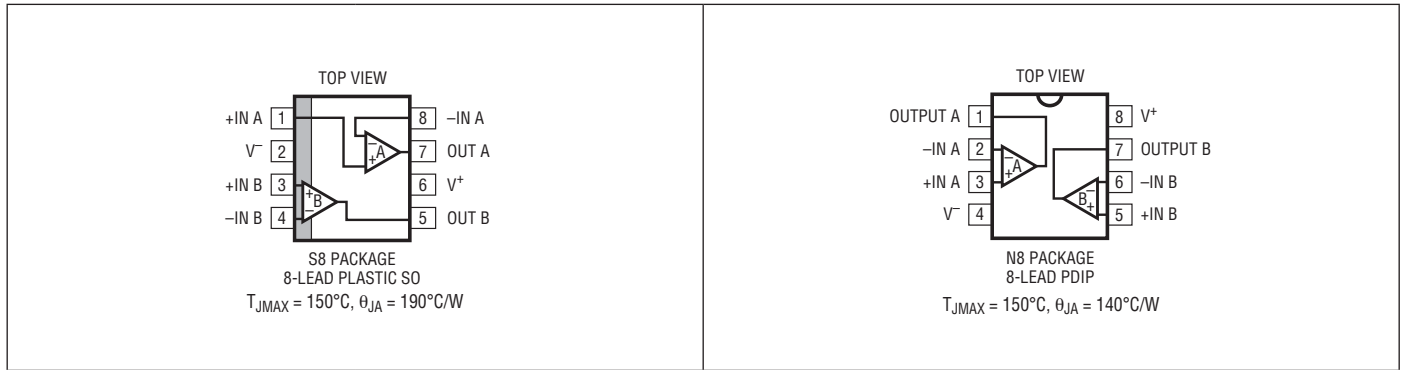
LT1017/LT1018

ABSOLUTE MAXIMUM RATINGS (Note 1)

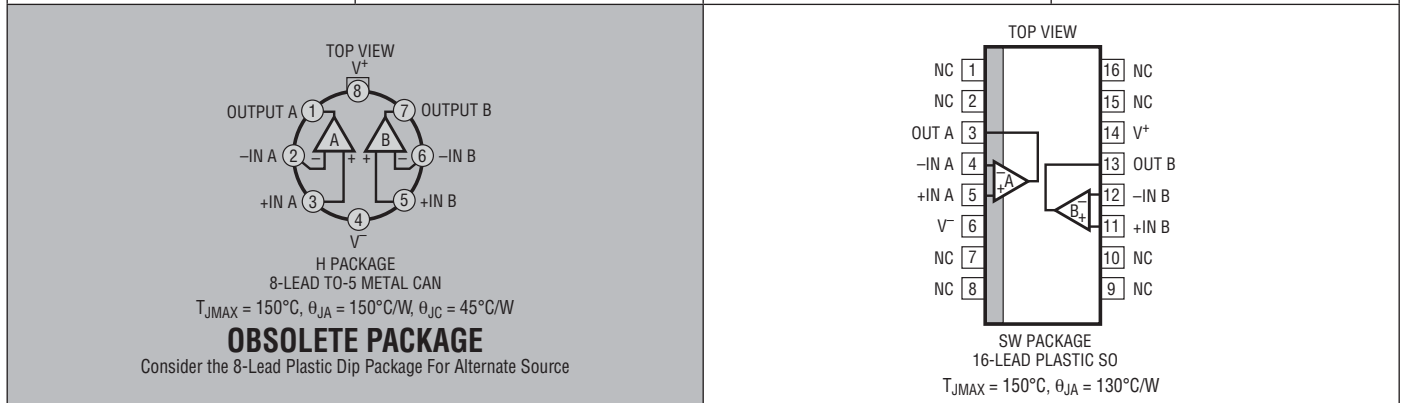
Supply Voltage 40V
 Differential Input Voltage..... 40V
 Input Voltage..... -0.3V to 40V
 Short-Circuit Duration Indefinite
 Storage Temperature Range..... -65°C to 150°C

Operating Temperature Range
 LT1017M/LT1018M -55°C to 125°C
 LT1017C/LT1018C..... 0°C to 70°C
 LT1017I/LT1018I -40°C to 85°C
 Lead Temperature (Soldering, 10 sec) 300°C

PACKAGE/ORDER INFORMATION



ORDER PART NUMBER	S8 PART MARKING	ORDER PART NUMBER	PART MARKING
LT1017CS8	1017	LT1017CN8	
LT1017IS8	1017I	LT1017IN8	
LT1018CS8	1018	LT1018CN8	
LT1018IS8	1018I		



ORDER PART NUMBER	PART MARKING	ORDER PART NUMBER	PART MARKING
LT1017MH		LT1017CSW	
LT1017CH		LT1018CSW	
LT1018MH			
LT1018CH			

Order Options Tape and Reel: Add #TR
 Lead Free: Add #PBF Lead Free Tape and Reel: Add #TRPBF
 Lead Free Part Marking: <http://www.linear.com/leadfree/>

*The temperature grade is identified by a label on the shipping container. Consult LTC Marketing for parts specified with wider operating temperature ranges.

ELECTRICAL CHARACTERISTICS The ● denotes the specifications which apply over the full operating temperature range of –55°C to 85°C for M grade parts, –40°C to 85°C for I grade parts and 0°C to 70°C for C grade parts.

PARAMETER	CONDITIONS		LT1017			LT1018			UNITS
			MIN	TYP	MAX	MIN	TYP	MAX	
Offset Voltage (Note 2)	$\pm 0.75V \leq V_S \leq \pm 20V$	25°C		0.4	1		0.4	1	mV
		● 125°C		0.5	1.4		0.5	1.4	mV
Bias Current	$\pm 0.75V \leq V_S \leq \pm 20V$	25°C		5	15		15	75	nA
		● 125°C		7	25		18	100	nA
Offset Current	$\pm 0.75V \leq V_S \leq \pm 20V$	25°C		0.4	2		1	8	nA
		● 125°C		0.5	3		1.6	12	nA
Common Mode Rejection Ratio	$V_S = \pm 20V, -20V \leq V_{CM} \leq 19.1V$	25°C	105	115		105	115		dB
		● 125°C	100	115		100	115		dB
Power Supply Rejection Ratio	$\pm 0.75V \leq V_S \leq \pm 20V$	25°C	96	110		96	110		dB
		● 125°C	95	105		95	105		dB
Gain	No Load, $V_{OUT} = \pm 19.9V$ (Note 3)	25°C	110	115		110	125		dB
		● 125°C	105	115		105	120		dB
Output Sink Current	$V^+ = 4.5V, V^- = 0V$ Overdrive > 30mV	25°C	30	65		35	70		mA
		● 125°C	25	50		25	50		mA
Output Source Current	$V^+ = 40V, V^- = 0V$ $V_{IN} = 5mV, V_{OUT} = 0.4V$	25°C	30	75		75	250		μA
		● 125°C	25	70		50	220		μA
Negative Output Saturation	$I_{OUT} = 0mA$ $= 0.1mA$ $= 1mA$ $= 10mA$ $= 30mA$	25°C		5	20		5	15	mV
		● 25°C		35	60		35	60	mV
Positive Output Saturation	$I_{OUT} = 0\mu A$ $= 10\mu A$ $= 0\mu A$ $= 10\mu A$ $= 0\mu A$ $= 10\mu A$	25°C		40	80		35	80	mV
		● 25°C		175	250		175	250	mV
Output Sink Current	$V^+ = 4.5V, V^- = 0V$ $V_{IN} = -10mV$	25°C		5	20		8	20	mV
		● 25°C		40	75		35	70	mV
Output Source Current	$V^+ = 1.2V, V^- = 0V$ $V_{IN} = 5mV, V_{OUT} = 0.4V$	25°C	25	35		70	140		μA
		● 125°C	15	20		45	120		μA
Negative Output Saturation	$I_{OUT} = 0mA$ $= 0.1mA$ $= 1mA$ $= 10mA$ $= 30mA$	25°C		150	300		150	300	mV
		● 25°C		600	900		500	900	mV
Positive Output Saturation	$I_{OUT} = 0mA$ $= 0.1mA$ $= 1mA$ $= 10mA$ $= 30mA$	125°C		25	50		10	40	mV
		● 125°C		60	100		60	100	mV
Output Sink Current	$V^+ = 4.5V, V^- = 0V$ $V_{IN} = -10mV$	125°C		100	200		110	200	mV
		● 125°C		300	600		300	400	mV
Positive Output Saturation	$I_{OUT} = 0\mu A$ $= 10\mu A$ $= 0\mu A$ $= 10\mu A$ $= 0\mu A$ $= 10\mu A$	125°C		50	100		50	100	mV
		● 125°C			300			300	mV

ELECTRICAL CHARACTERISTICS

The ● denotes the specifications which apply over the full operating temperature range of -55°C to 85°C for M grade parts, -40°C to 85°C for I grade parts and 0°C to 70°C for C grade parts.

PARAMETER	CONDITIONS		LT1017			LT1018			UNITS
			MIN	TYP	MAX	MIN	TYP	MAX	
Leakage Current	$V_S = 5\text{V}$, $V_{\text{OUT}} = 40\text{V}$ $V_{\text{IN}} \geq 100\text{mV}$	25°C	0.5	3		1	8	μA	
		● 125°C	0.6	3		1.8	10	μA	
Supply Current	$V_S = 5\text{V}$	25°C	30	60		110	250	μA	
		● 125°C	40	80		110	250	μA	
	$V_S = 40\text{V}$	25°C	40	90		130	250	μA	
		● 125°C	55	100		140	270	μA	
Minimum Operating Voltage	$I_{\text{OUT}} = 1\text{mA}$	25°C		1.15			1.2	V	
		●		1.15			1.2	V	
		125°C		1.15			1.2	V	

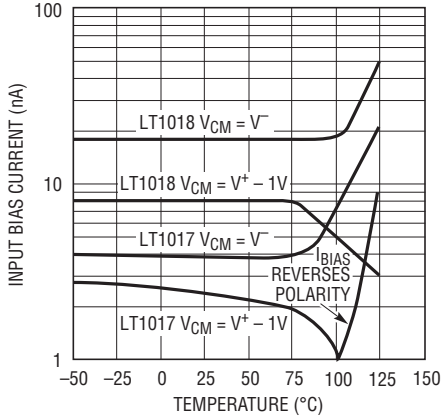
Note 1: Stresses beyond those listed under Absolute Maximum Ratings may cause permanent damage to the device. Exposure to any Absolute Maximum Rating condition for extended periods may affect device reliability and lifetime.

Note 2: Offset voltage is guaranteed over a common mode voltage range of $V^- \leq V_{\text{IN}} \leq (V^+ - 0.9\text{V})$.

Note 3: No load gain is guaranteed but not tested (LT1017 only).

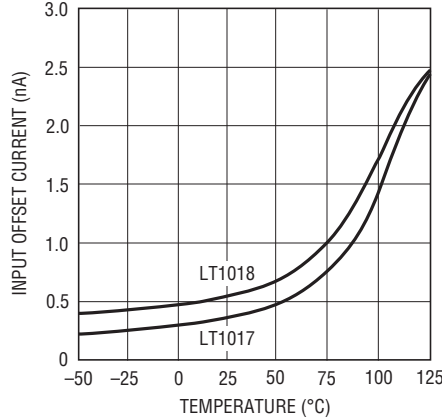
TYPICAL PERFORMANCE CHARACTERISTICS

Input Bias Current



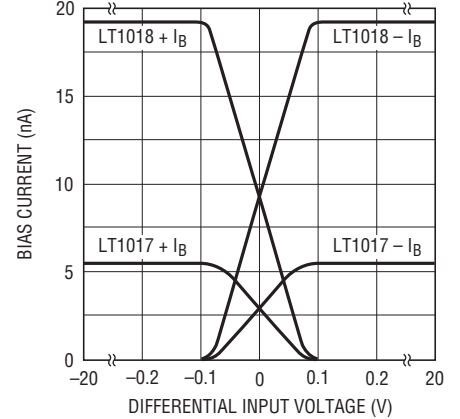
1017/18 G01

Input Offset Current



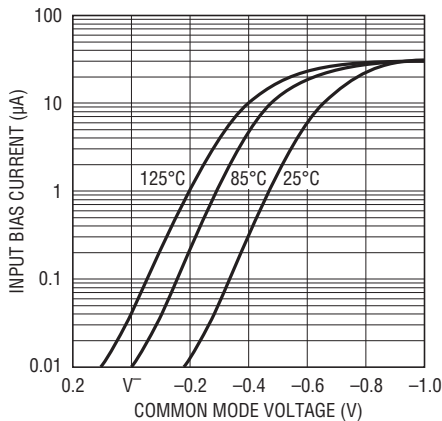
1017/18 G02

Bias Current vs Differential Input



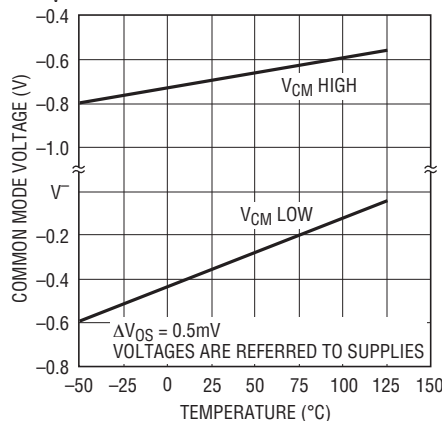
1017/18 G03

Input Bias Current with Inputs Driven Below the Supply



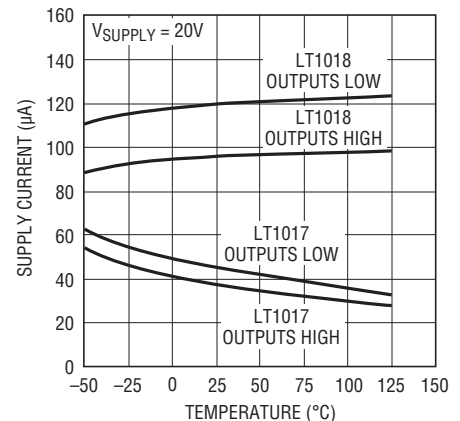
1017/18 G04

Common Mode Limits



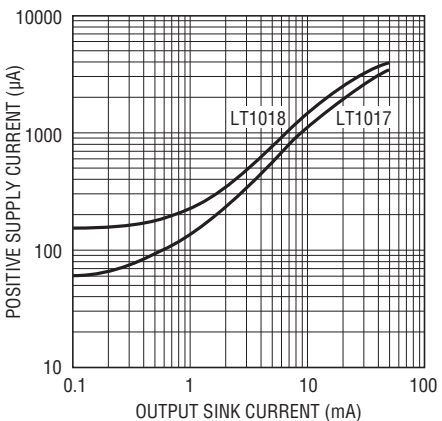
1017/18 G05

Supply Current



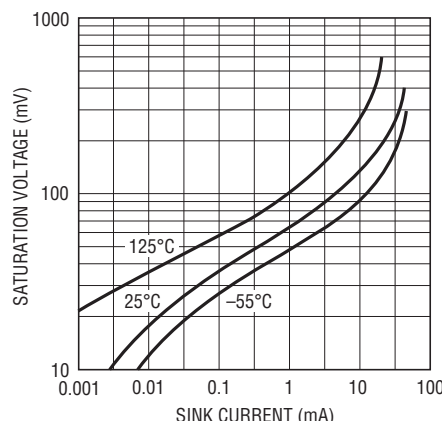
1017/18 G06

Positive Supply Current



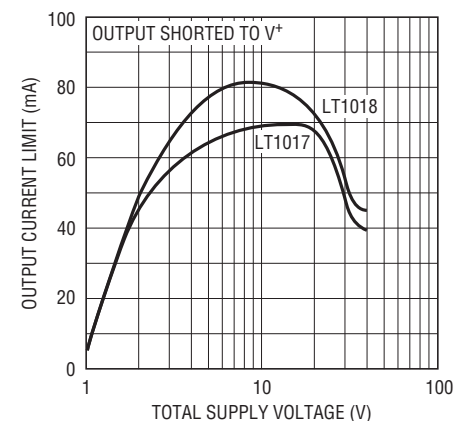
1017/18 G07

NPN Output Saturation Voltage



1017/18 G08

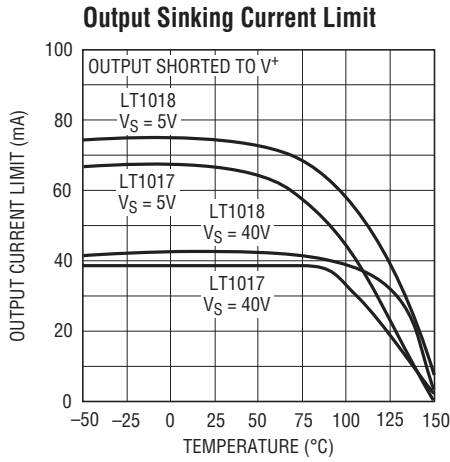
Output Sinking Current Limit



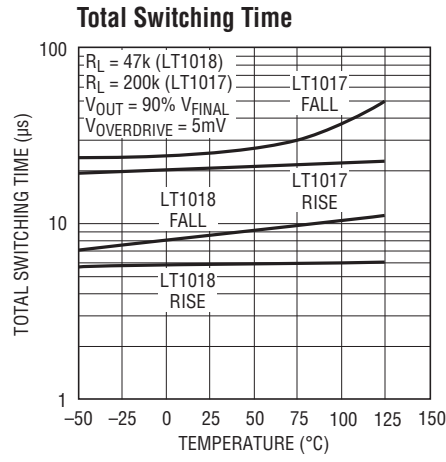
1017/18 G09

LT1017/LT1018

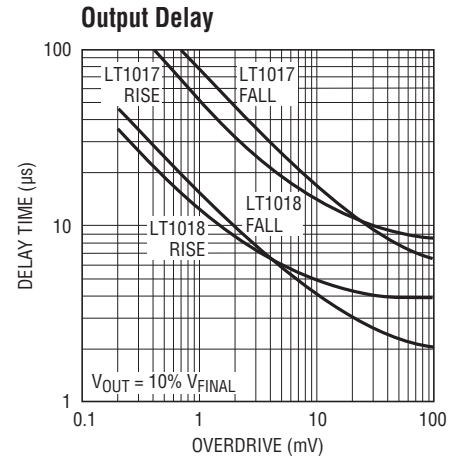
TYPICAL PERFORMANCE CHARACTERISTICS



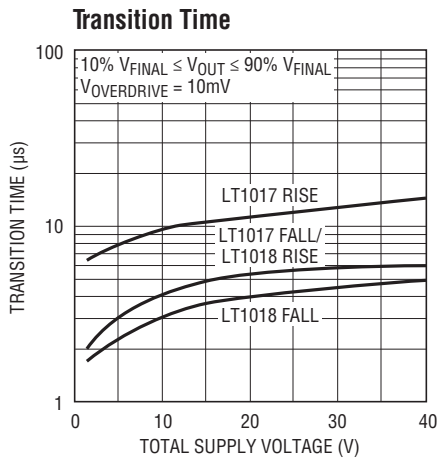
1017/18 G10



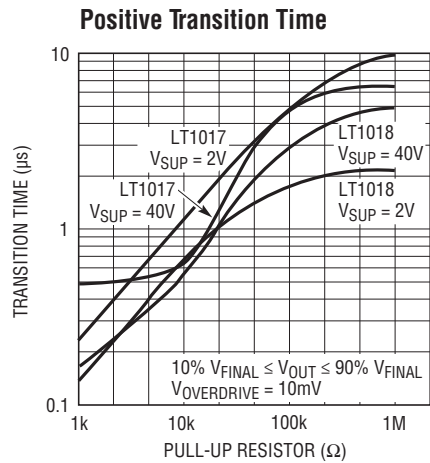
1017/18 G11



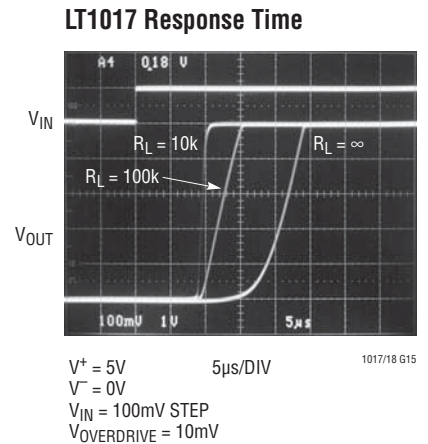
1017/18 G12



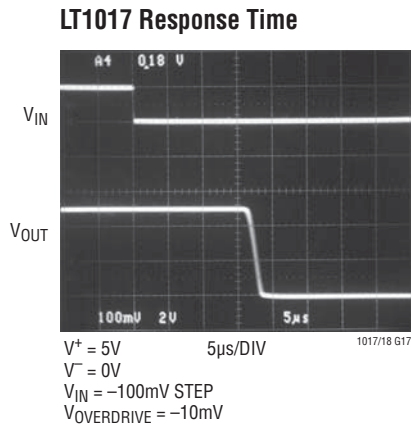
1017/18 G13



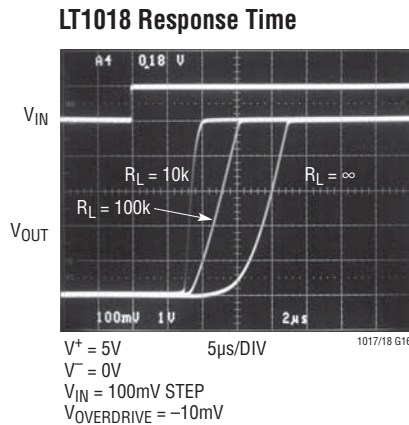
1017/18 G14



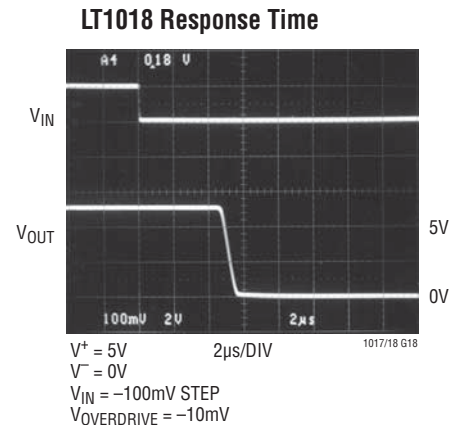
1017/18 G15



1017/18 G17



1017/18 G16

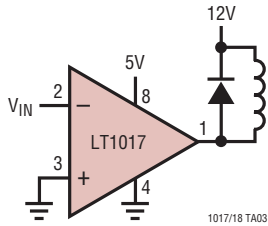


1017/18 G18

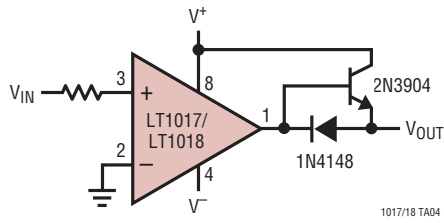
10178ff

TYPICAL APPLICATIONS

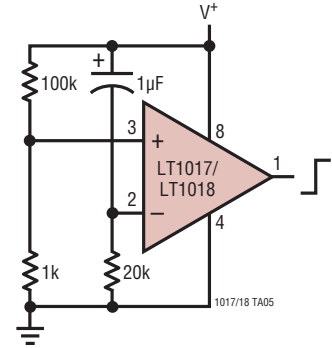
Driving Relays



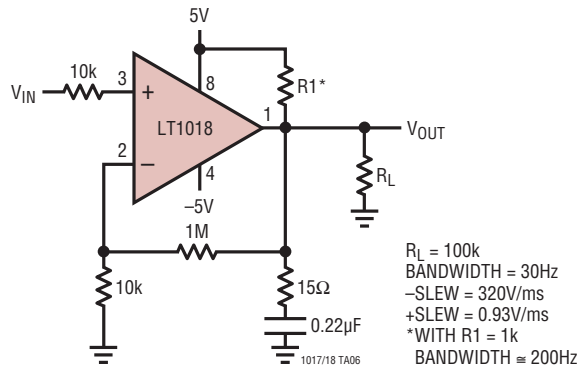
Increasing Positive Output Current



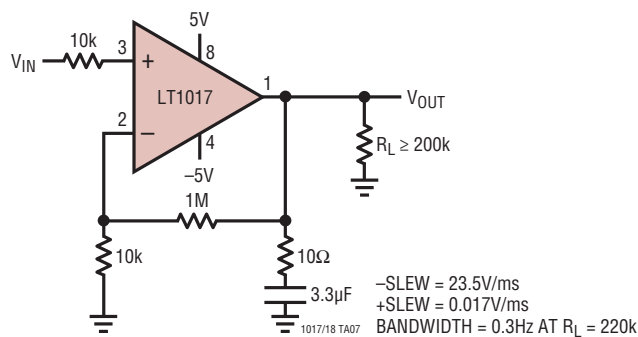
Delay On Power Up



LT1018 Op Amp, $A_V = 100$

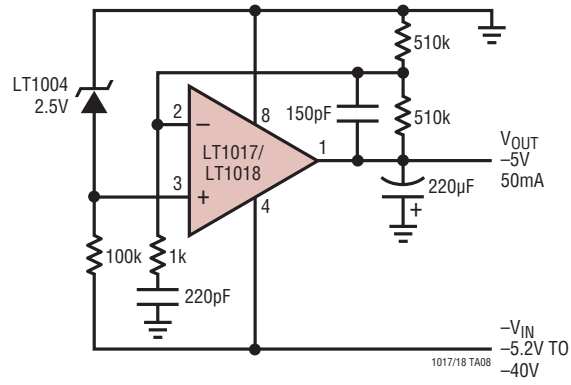


LT1017 Op Amp, $A_V = 100$

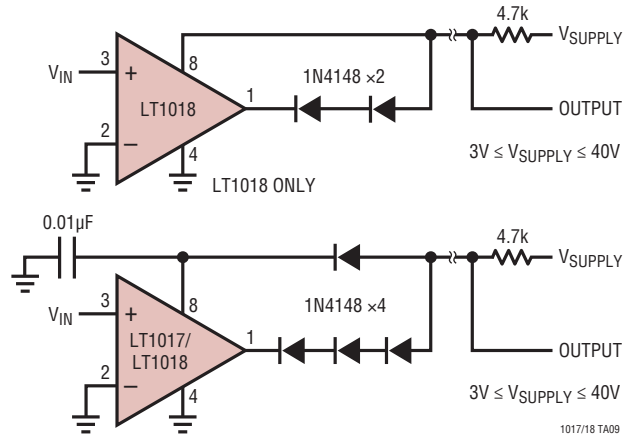


TYPICAL APPLICATIONS

Negative Voltage Regulator

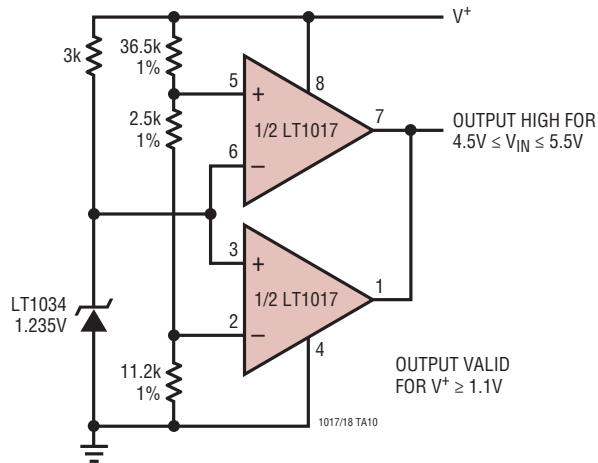


2-Wire Comparator

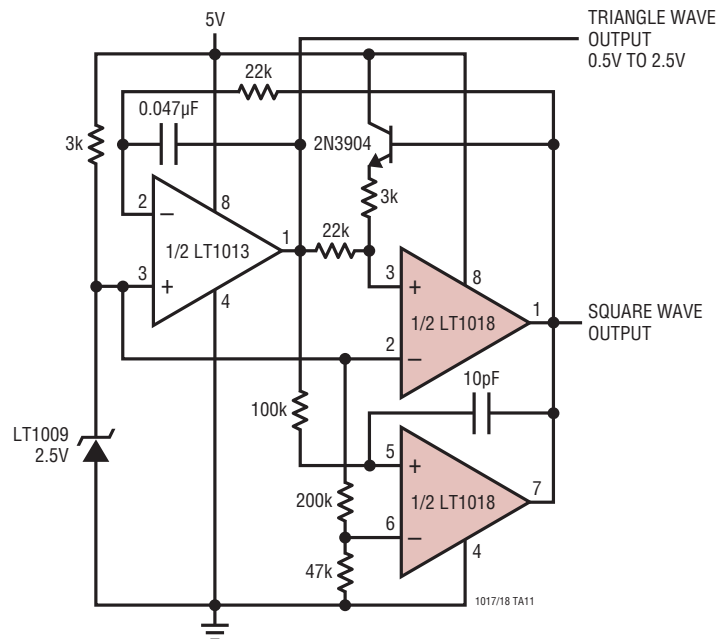


TYPICAL APPLICATIONS

5V Power Supply Monitor

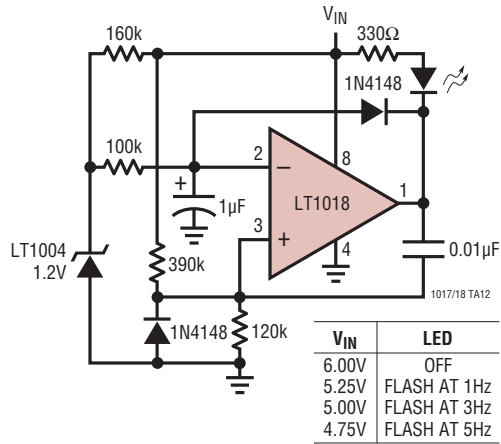


Precise Tri-Wave Generator

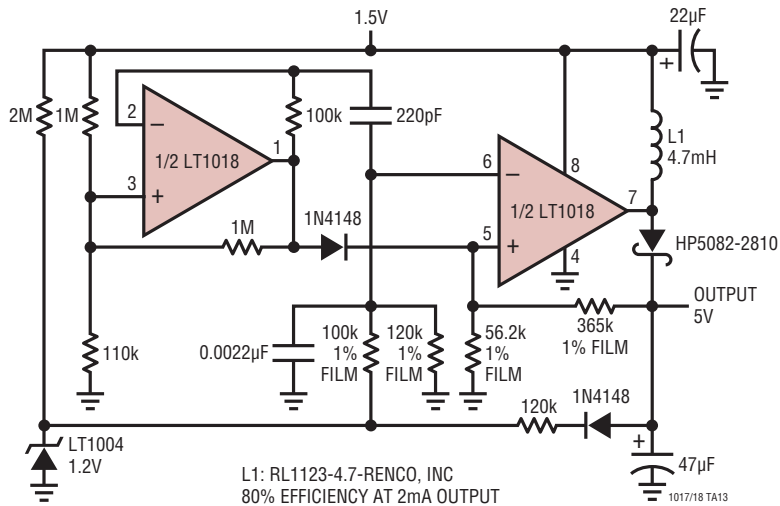


TYPICAL APPLICATIONS

Power Supply Monitor

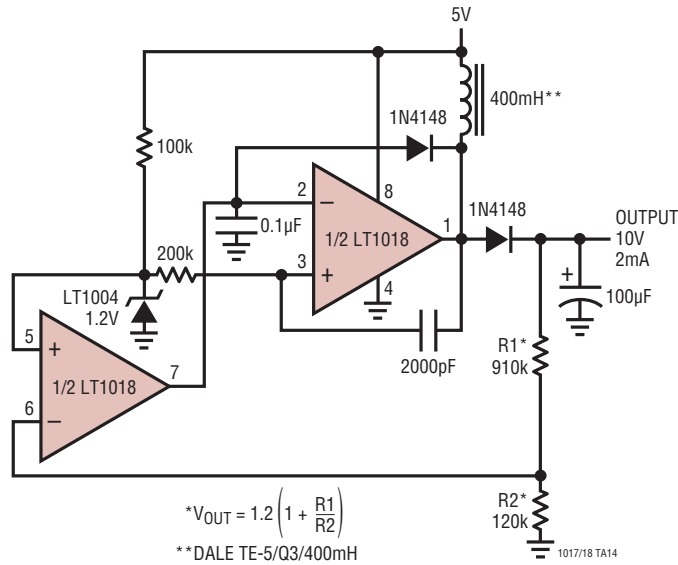


1.5V Input Flyback Regulator

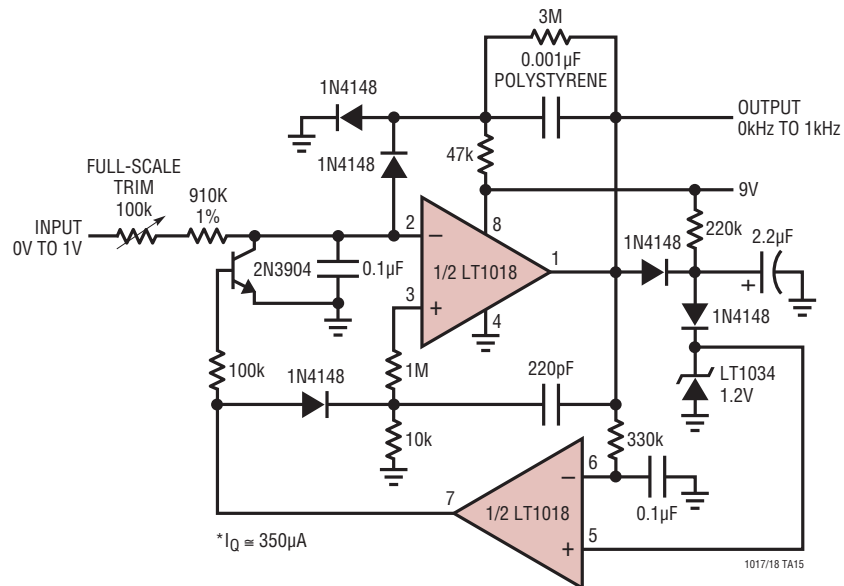


TYPICAL APPLICATIONS

Regulated Step-Up Converter

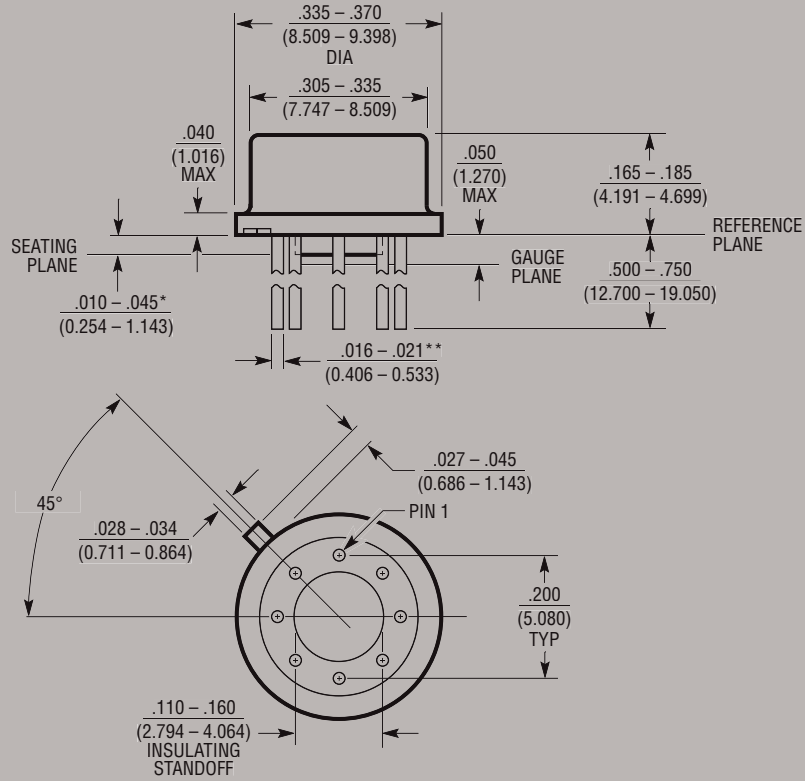


Low Power* V-to-F Converter



PACKAGE DESCRIPTION

H Package
8-Lead TO-5 Metal Can (.200 Inch PCD)
 (Reference LTC DWG # 05-08-1320)



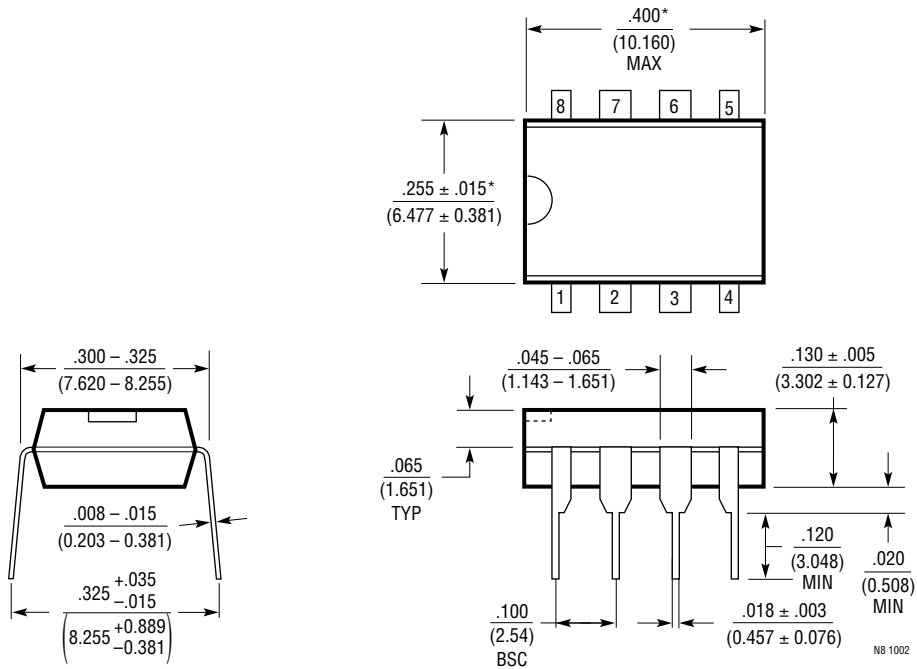
* LEAD DIAMETER IS UNCONTROLLED BETWEEN THE REFERENCE PLANE AND THE SEATING PLANE

** FOR SOLDER DIP LEAD FINISH, LEAD DIAMETER IS $.016 - .024$ (0.406 - 0.610) H8(TO-5) 0.200 PCD 0204

OBSOLETE PACKAGE

PACKAGE DESCRIPTION

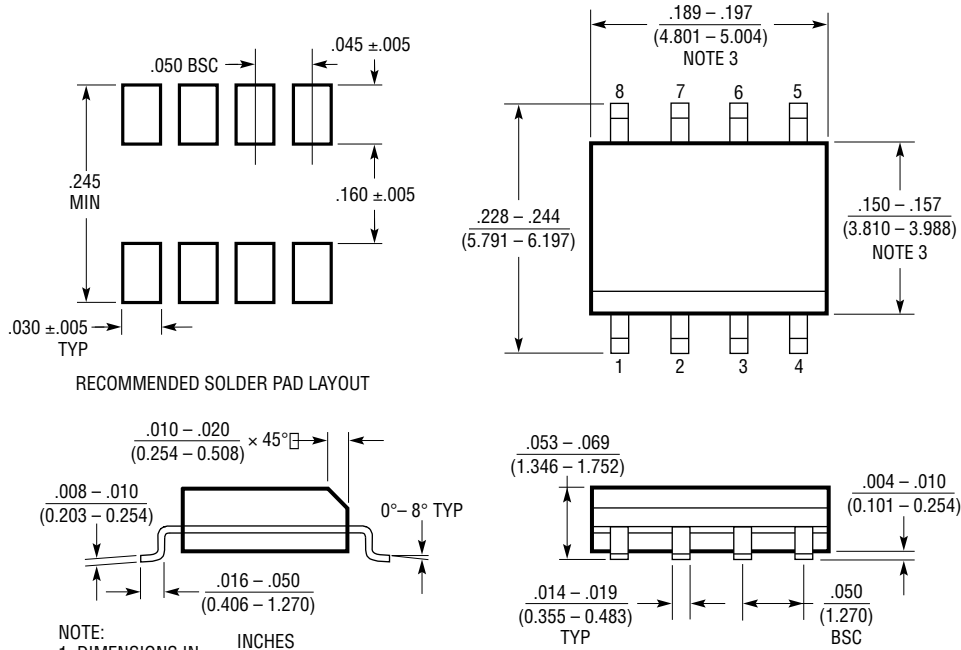
N8 Package
8-Lead PDIP (Narrow .300 Inch)
 (Reference LTC DWG # 05-08-1510)



NOTE:
 1. DIMENSIONS ARE $\frac{\text{INCHES}}{\text{MILLIMETERS}}$
 *THESE DIMENSIONS DO NOT INCLUDE MOLD FLASH OR PROTRUSIONS.
 MOLD FLASH OR PROTRUSIONS SHALL NOT EXCEED .010 INCH (0.254mm)

PACKAGE DESCRIPTION

S8 Package
8-Lead Plastic Small Outline (Narrow .150 Inch)
 (Reference LTC DWG # 05-08-1610)

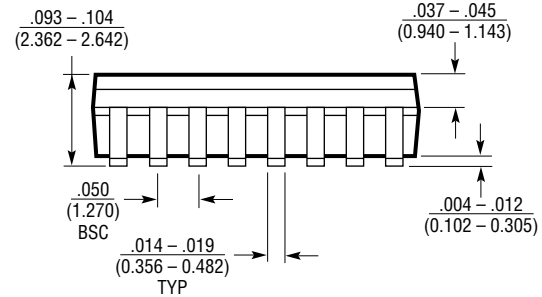
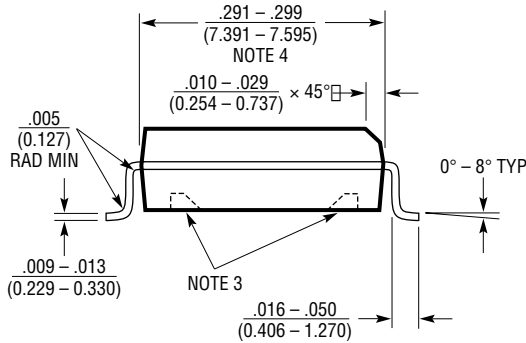
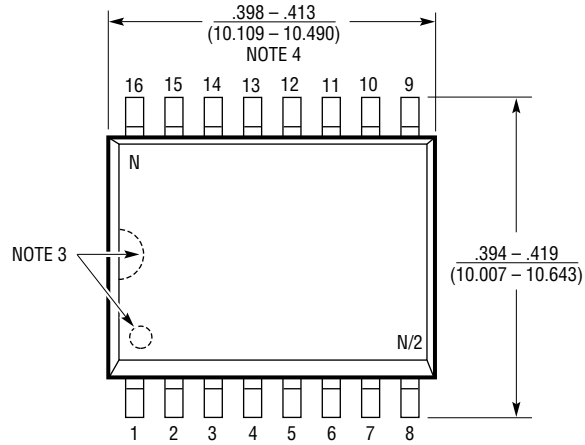
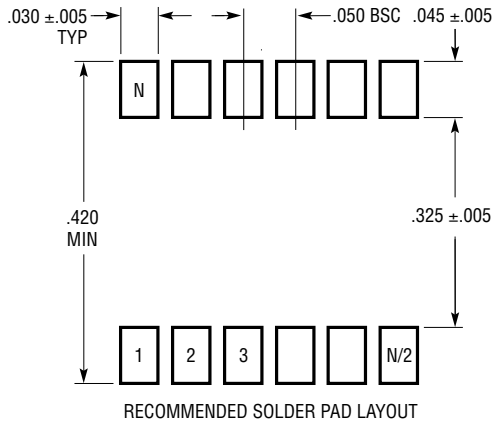


- NOTE:
 1. DIMENSIONS IN $\frac{\text{INCHES}}{\text{MILLIMETERS}}$
 2. DRAWING NOT TO SCALE
 3. THESE DIMENSIONS DO NOT INCLUDE MOLD FLASH OR PROTRUSIONS.
 MOLD FLASH OR PROTRUSIONS SHALL NOT EXCEED $.006''$ (0.15mm)

S08 0303

PACKAGE DESCRIPTION

SW Package
16-Lead Plastic Small Outline (Wide .300 Inch)
 (Reference LTC DWG # 05-08-1620)



- NOTE:
1. DIMENSIONS IN $\frac{\text{INCHES}}{\text{MILLIMETERS}}$
 2. DRAWING NOT TO SCALE
 3. PIN 1 IDENT, NOTCH ON TOP AND CAVITIES ON THE BOTTOM OF PACKAGES ARE THE MANUFACTURING OPTIONS. THE PART MAY BE SUPPLIED WITH OR WITHOUT ANY OF THE OPTIONS
 4. THESE DIMENSIONS DO NOT INCLUDE MOLD FLASH OR PROTRUSIONS. MOLD FLASH OR PROTRUSIONS SHALL NOT EXCEED .006" (0.15mm)

S16 (WIDE) 0502

