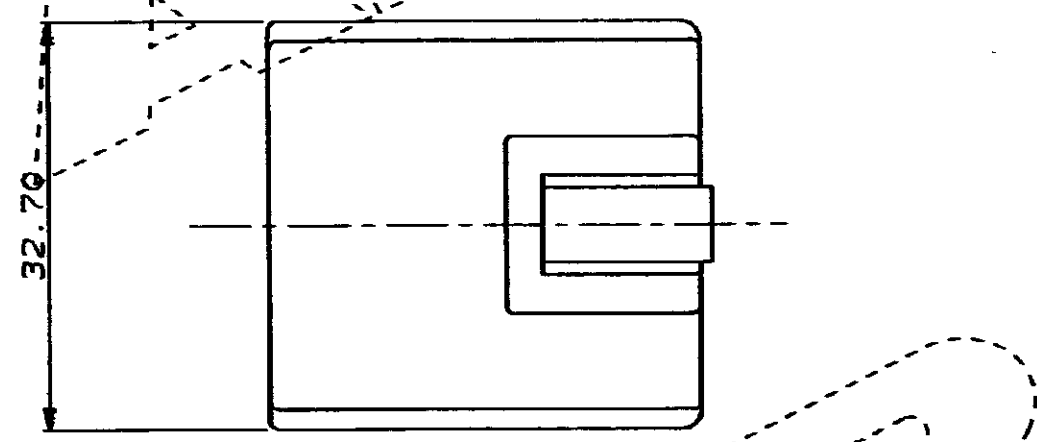
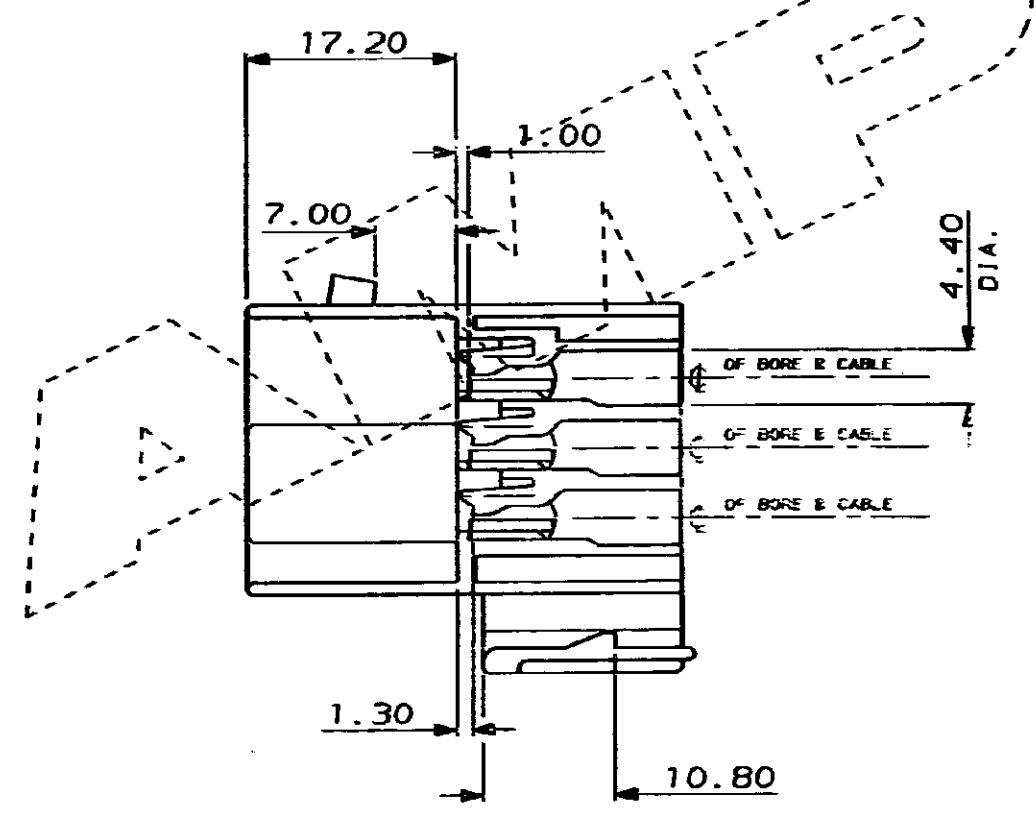
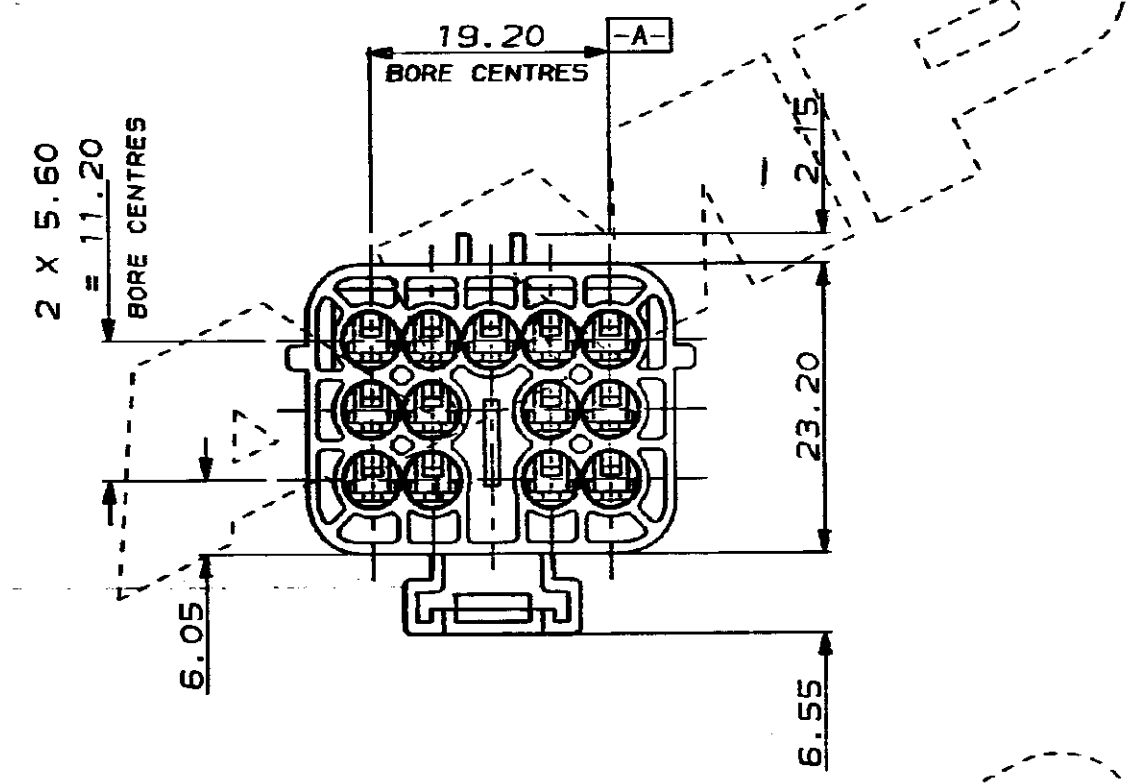
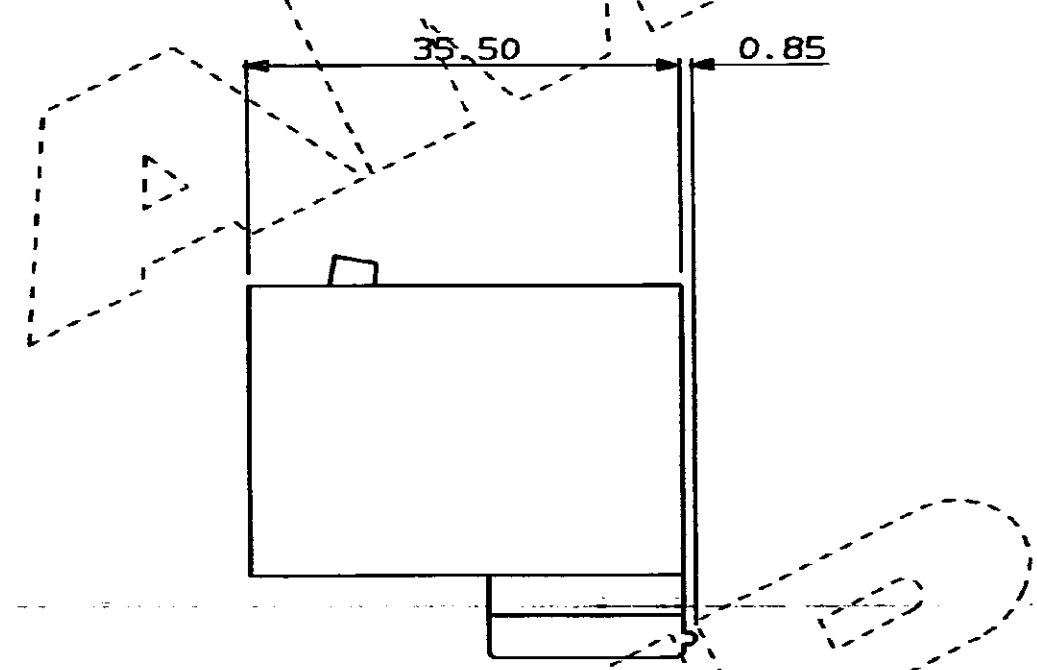
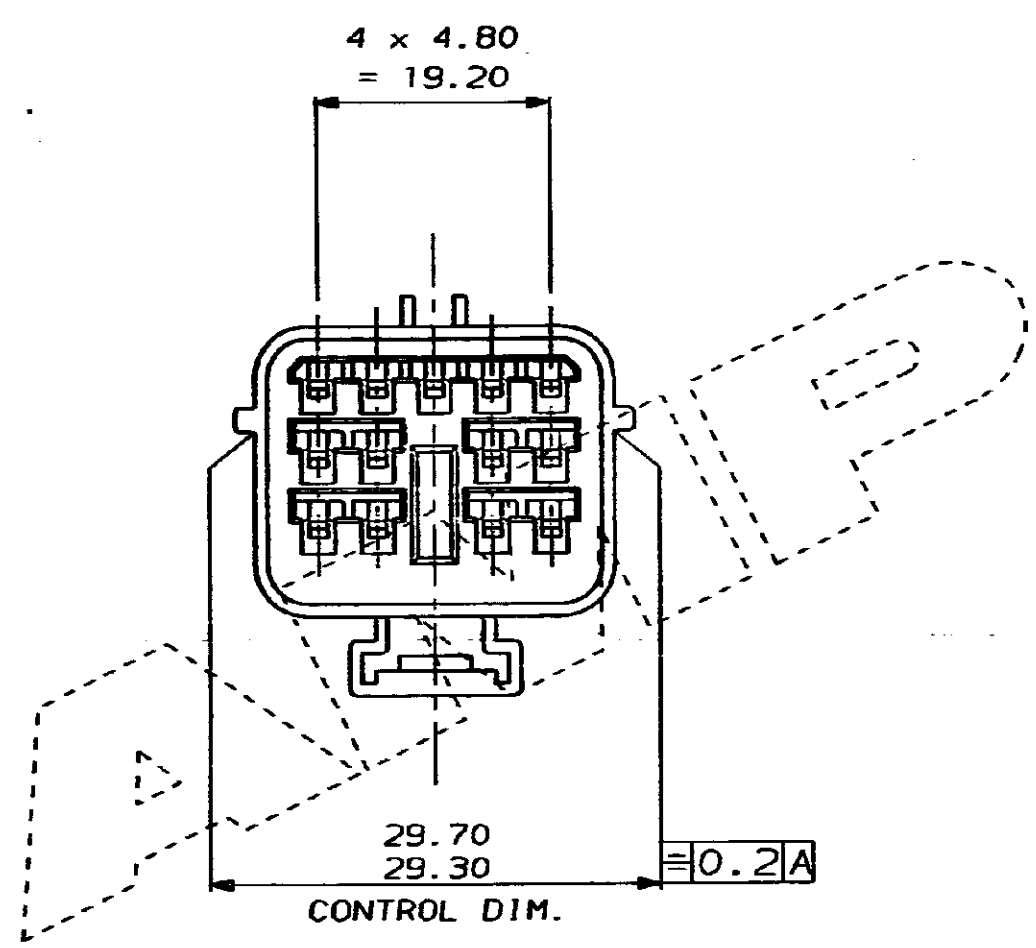


C.A.D. FILE CODE  
S. C344260.E

DO NOT SCALE DIMENSIONS IN MM.



BLUE	NYLON 6.6	344260-3
WHITE	NYLON 6.6	344260-2
BLACK	NYLON 6.6	344260-1
FINISH	MATERIAL	PART NUMBER
CUSTOMER DWG FOR REFERENCE ONLY		RELEASED FOR PUBLICATION 3/11/87
TOLERANCES UNLESS OTHERWISE STATED		DR. I. J.
DEC ± 0.5		CH. R. J. S.
ANGLES ± 1°		APP. B. J.
NAME 13 WAY TAB HOUSING ECONOSEAL 3 LOW CURRENT		TERMINAL HOUSE STANMORE HIDD.
SCALE 2/1	LOC E	SIZE A2
DWG. No. C344260	REV E	SHEET 1/1