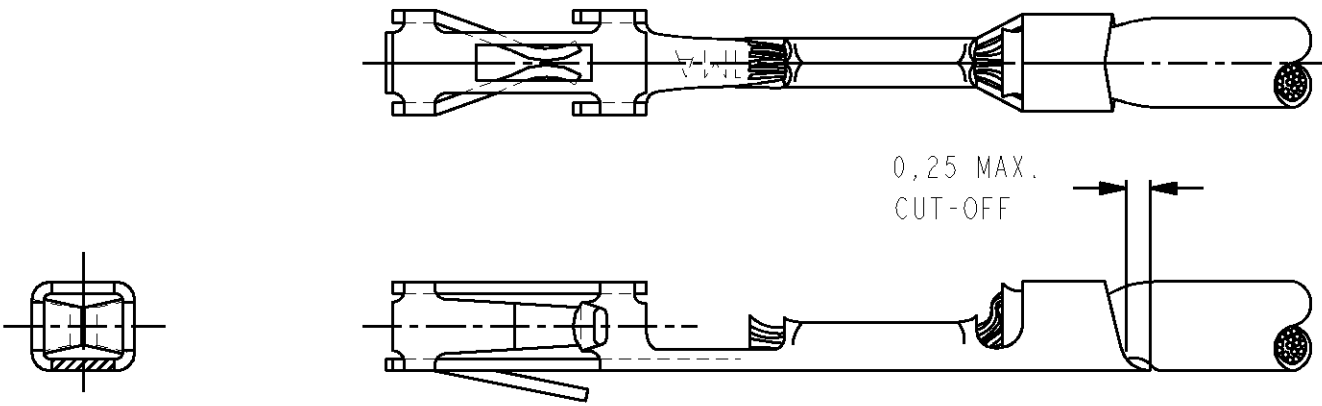
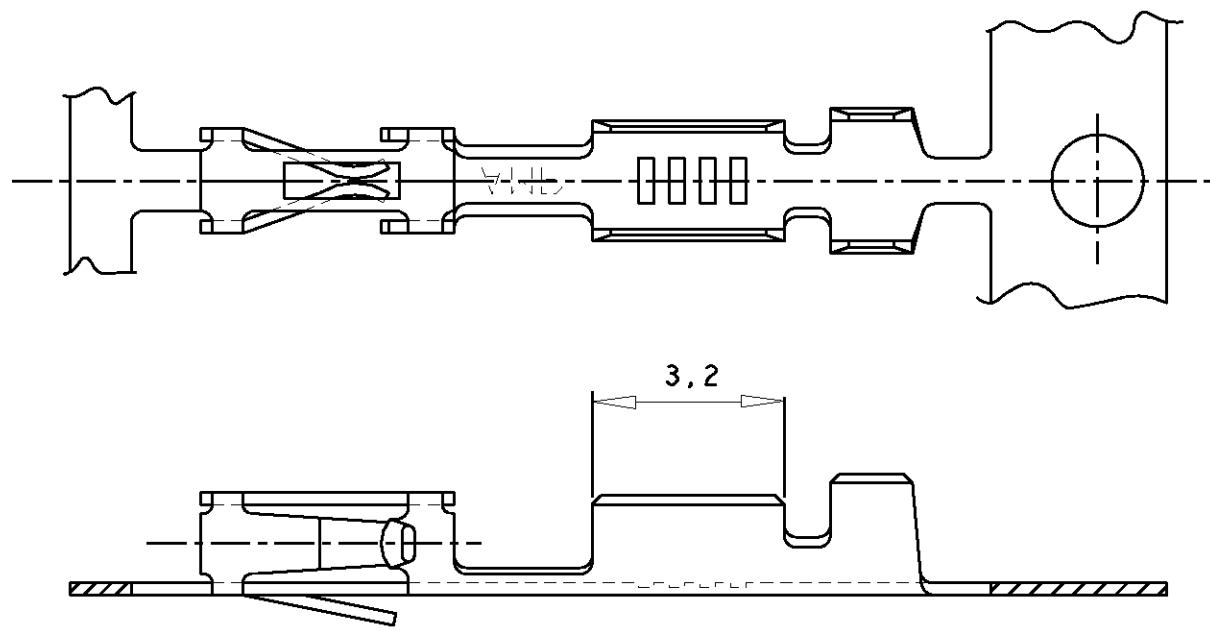


THIS DRAWING IS UNPUBLISHED. RELEASED FOR PUBLICATION
 © COPYRIGHT - BY TYCO ELECTRONICS CORPORATION. ALL RIGHTS RESERVED.

LOC	DIST	REVISIONS			
P	LTR	DESCRIPTION	DATE	DWN	APVD
H	-				
	C	ECR-07-015105	26 JUNE 07	RvH	MvD



- 1 FOR MINI-APPLICATOR-CRIMPING.
- 2 UNDERCOATING: 1,25 μm Ni, SELECTIVE: 0,8 μm Au, NO GOLDFLASH.
- 3 UNDERCOATING: 1,25 μm Ni, SELECTIVE: 0,8 μm Au, REMAINDER: GOLDFLASH.
- 4 PRE-TIN PLATED: 2,0 μm.
- 5 ZONE 1: MATT TIN PLATED.
- 6 MATERIAL: PHOSPHORBRONZE
- 7 FOR REELFED-HANDTOOL-CRIMPING, 500 CONTACTS ON A SMALL REEL.
- 8 24-20 AWG (0,20-0,56 mm²) WITH .055 CRIMPER.
26 AWG (0,12-0,14 mm²) WITH .042 CRIMPER.



WIRE RANGE
 8
 INSUL. RANGE
 1,4 MAX. DIA.

FINISH	LOOSE PIECE	PARTNUMBER
TIN 4	166310-3	5-166309-3 7
GOLD 3	166310-2	5-166309-2 7
GOLD 2 5	166310-1	5-166309-1 7
TIN 4	166310-3	166309-3 1
GOLD 3	166310-2	166309-2 1
GOLD 2 5	166310-1	166309-1 1

LTR.	REVISION RECORD	DR.	CHK.	DATE
C	ECR-07-015105	RvH	MvD	26 JUNE 07
B	EH-0259-97	RB	RS	10-mr 1-97
A	EH-0177-96	RDB	RS	01-FEB-96
0	H-9228	JvdH	D.S.	31-10-91

DR.: J.V.D.HEIJDEN.	CHK.: R.Broens	APP.: R. SMEETS
DATE: 31-10-91	DATE: 10-03-97	DATE: 10-03-97

THIS DRAWING IS A CONTROLLED DOCUMENT FOR TYCO ELECTRONICS CORPORATION
 IT IS SUBJECT TO CHANGE AND THE CONTROLLING ENGINEERING ORGANIZATION
 SHOULD BE CONTACTED FOR THE LATEST REVISION.

DIMENSIONS:	TOLERANCES UNLESS OTHERWISE SPECIFIED:
mm	0 PLC ±
	1 PLC ±
	2 PLC ±
	3 PLC ±
	4 PLC ±
	ANGLES ±
MATERIAL	FINISH
-	-

DWN	RvHEUVEN	25 JUNE 07
CHK	MvD	25 JUNE 07
APVD	MvD	-
PRODUCT SPEC	-	-
APPLICATION SPEC	-	-
WEIGHT	-	-
CUSTOMER DRAWING		

Tyco Electronics Tyco Electronics Corporation
 's-Hertogenbosch, Nederland

NAME: **AMP MODU MOD. V RECEPTACLE, HIGH PRESSURE, STRIP.**

SIZE	CAGE CODE	DRAWING NO	RESTRICTED TO
A3	00779	C-166309	-

SCALE: NTS SHEET 1 OF 1 REV C