



Brand of NTN Group

Technical data

SESP211N

Bearing units

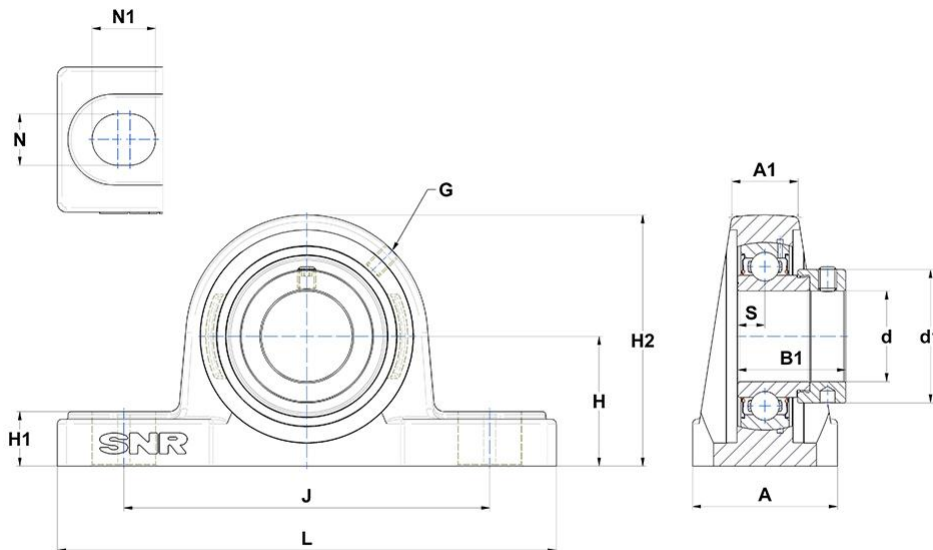


Stainless steel cast housing, stainless steel insert ball bearing with eccentric locking collar, single lip seal, food grease

KIT CONTENT

SES211, SP211N

VISUAL (S)



PRODUCT DEFINITION

Brand	SNR
A - Housing width	60 mm
A1 - Housing top width	33 mm
B - Width of Inner Ring	32,5 mm
d - Shaft diameter	55 mm



NTN Europe

1 rue des Usines · BP 2017 · 74010 Annecy Cedex · France · Tel. +33 (0)4 50 65 30 00
 S.A. au capital de 322 639 919 € · RCS ANNECY B 325 821 072 · Id. Fiscale : FR 48 325 821 072
 SIRET 325 821 072 00015 · Code APE 2815 Z · Code NACE 28.15

PRODUCT DEFINITION

d1 - Outer dia of eccent. Lock. collar / nut of adapter sleeve	76,2 mm
G - Grease fitting	M6x1
H - Distance mounting base to centerline spheric. seating diam.	63,5 mm
H1 - Housing foot height	23 mm
H2 - Housing height	126 mm
J - Mounting holes distance	171 mm
L - Housing length	219 mm
N - Mounting hole dimension	20 mm
N1 - Mounting hole length	25 mm
S - Distance front side/bearing centre	10,5 mm

PRODUCT PERFORMANCE

C - Dynamic load rating	43300000 mN
C0 - Static load rating	29200000 mN
Operating temperature min.	253,15 °K
Operating temperature max.	373,15 °K

OTHER FEATURES

Mass	4,03 kg
Recommended tightening torque for set screw	18.7 N-m

