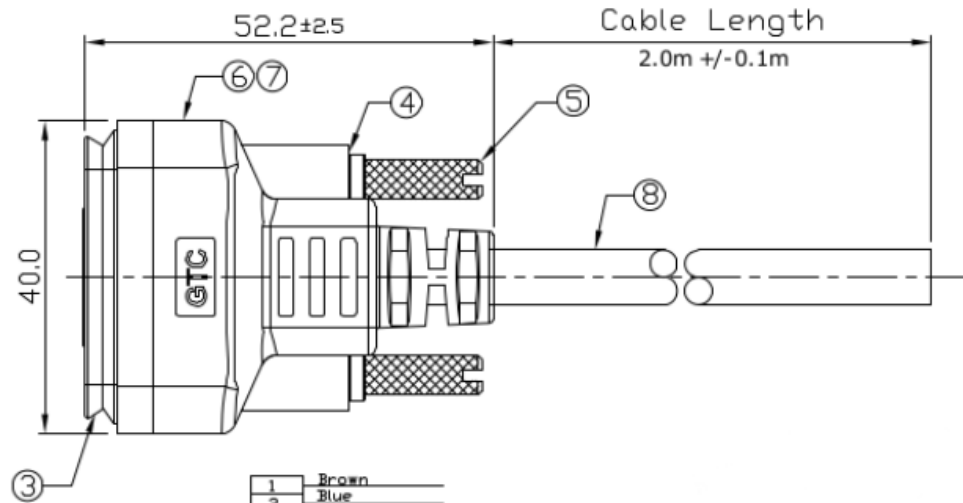
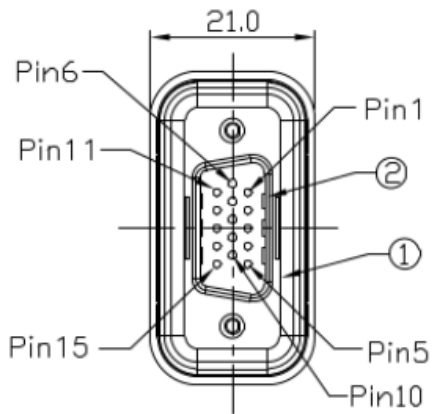




Notes: (Unless Otherwise Specified)

1. Waterproof Rate : IP67
2. RoHS Compliance

REV	ECN#	DESCRIPTION OF REVISION	DRAW BY DATE	CHECK BY DATE	APPROVE BY DATE
A0		Mass Production	Vicky 07/14/11	Lucas 07/14/11	Ray 07/14/11



Item	Part Name	Material / Finish	Qty
8	Cable	UL2464 24AWG*15C+II+Al/My OD=7.0mm, Color: Black	1
7	Over Mold	PVC Color: Black	1
6	Inner Mold	Thermal Plastic Color: White	1
5	Machine Screw	Stainless Finish: Non	2
4	Gasket	EPDM Color: Black	2
3	Rubber Pad	EPDM Color: Black	1
2	D-SUB Male 15P	Shell: Cold Roll Steel, Finish: Ni Plated Housing: Thermal Plastic, Color: Black Contacts: Copper Alloy, Finish: Au Plated	1
1	Housing	Thermal Plastic Color: Black	1

1	Brown
2	Blue
3	Orange
4	Green
5	Yellow
6	Gray
7	Pink
8	Red
9	Black
10	White
11	Purple
12	Light Green
13	Black/White
14	Brown/White
15	Red/White
Shell	Drain

Wiring Diagram

Mating Part:
122-3037

TITLE								REV.	
D-SUB HD 5A 15P Cable End Male								A0	
	B	1:1	Vicky 08/06/10	Lucas 08/06/10	Ray 08/06/10	X.X ± 0.5 X.XX ± 0.2	X.XXX ± 0.05 ANGLES ± 1°	mm	1/1
THIRD ANGLE PROJECTION	SIZE	SCALE	DRAW / DATE	CHECK / DATE	APPROVE / DATE	TOLERANCES		UNIT	SHEET

RS Stock No
122-3041