

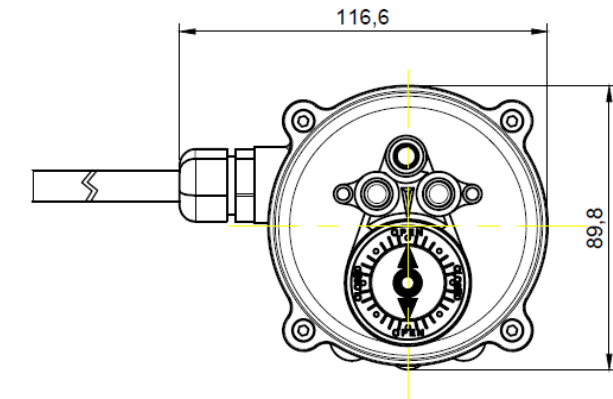


Dimensions & Wiring Diagram

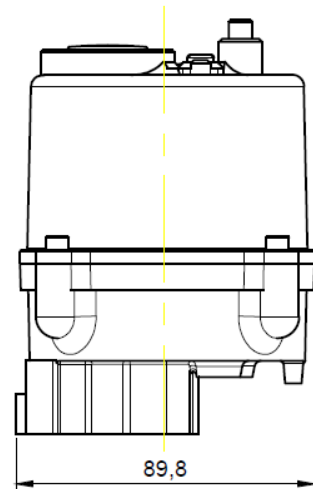
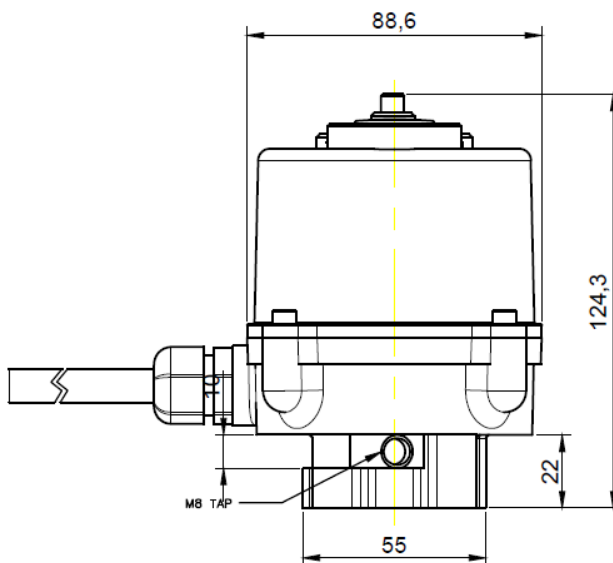
ENGLISH

RS Pro Ball Brass Ball Valve with Electric Actuator, 1 in BSP

Stock No: 760-5687



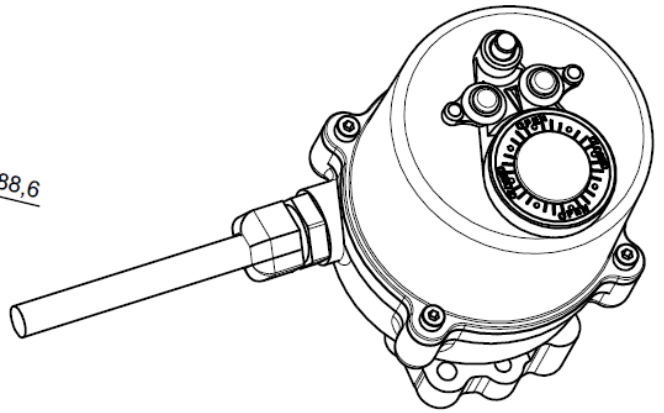
ENCLOSURE: IP67
TORQUE: 3Kg.m
OPERATION TIME: 12sec
POSITION SWITCH: 4 SPDT SWITCH
CABLE ENTRY: PG 11 x 1
MOUNTING FLANGE: F03/F04/F05
acc to DIN/ISO5211



Wire:3000mm

- 4-Ø4.2 DRILL D.P15
M5 TAP D.P12
Ø42(DIN 3337 F04)
- 4-Ø4.2 DRILL D.P15
M5 TAP D.P12
Ø38(DIN 3337 F03)
- 4-M5TAP DP12
Ø5 DRILL DP15
Ø50(DIN 3337 F05)

Ø88,6



HQ-003 WIRING DIAGRAM

