

type no.:

ADA16K6-AR0-XC

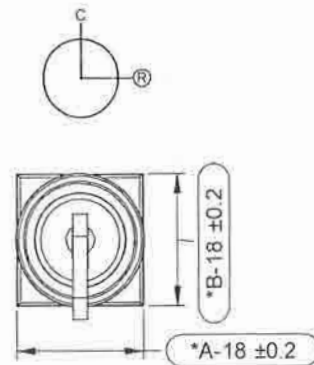
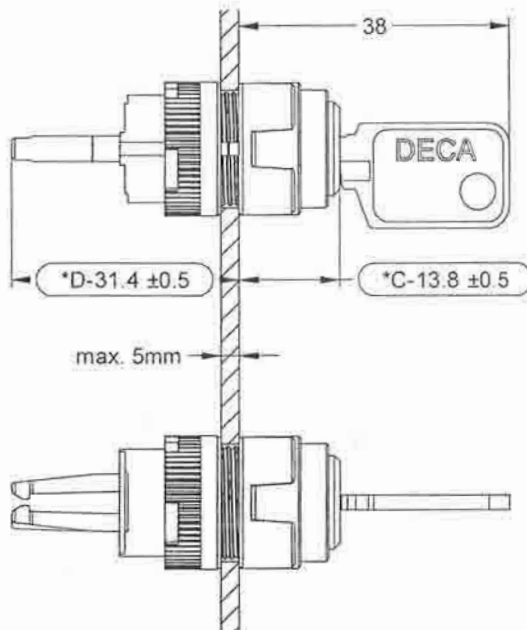
RoHS
Compliant



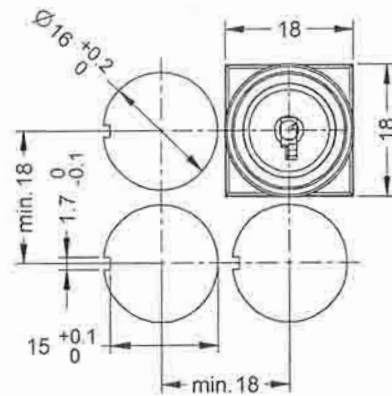
(with square bezel)

order no.: ADA16K6-AR0-XC/004

Keylock Switch Operator



Hole Dia



Product Specifications

- Mechanical lifetime : >0.2 million operations
- Motion tolerance : <20 operation/min
- Panel thickness : 0.5 ~ 5 mm
- Degree of protection : IP 65
- Storage temperature : -40°C to +70°C
- Operating temperature : -25°C to +55°C
(-25°C to +70°C without lamp)

文管中心
文管中心



CONFIRMED & ACCEPTED BY:			
DRAWING NO.	ADA16K6-AR0-XC/004	VERSION	A
SHEET OF	2/2	CONFIRMED BY	<i>[Signature]</i>
METRIC	MM	GENERAL MANAGER	<i>[Signature]</i>
DRAWN BY	<i>[Signature]</i>	DATE	2011/04/14

Nancy

單據編號 : QR-0703-08

版次 : A版