


D-SUB panel mounting frames - VS-15-A - 1688036

Please be informed that the data shown in this PDF Document is generated from our Online Catalog. Please find the complete data in the user's documentation. Our General Terms of Use for Downloads are valid (<http://download.phoenixcontact.com>)

D-SUB panel mounting frame, shell size 2, IP67 degree of protection



Key commercial data

Packing unit	5 pc
Minimum order quantity	5 pc
GTIN	 4 017918 179694
Weight per Piece (excluding packing)	9.82 g
Custom tariff number	85389099
Country of origin	Germany

Technical data

Dimensions

Height	16.8 mm
--------	---------

Ambient conditions

Degree of protection	IP67
Ambient temperature (operation)	-40 °C ... 80 °C

General

Type	D-SUB 15
Degree of protection	IP67
Inflammability class according to UL 94	V0
Housing material	PA
Seal material	Flat gasket: NBR; profile gasket: EPDM
Ambient temperature (operation)	-40 °C ... 80 °C

D-SUB panel mounting frames - VS-15-A - 1688036

Classifications

eCl@ss

eCl@ss 4.0	27140816
eCl@ss 4.1	27260701
eCl@ss 5.0	27260701
eCl@ss 5.1	27260701
eCl@ss 6.0	27261203
eCl@ss 7.0	27440201
eCl@ss 8.0	27440201

ETIM

ETIM 2.0	EC000437
ETIM 3.0	EC000437
ETIM 4.0	EC000437
ETIM 5.0	EC002310

UNSPSC

UNSPSC 6.01	31261501
UNSPSC 7.0901	31261501
UNSPSC 11	31261501
UNSPSC 12.01	31261501
UNSPSC 13.2	31261501

Accessories

Accessories

Protective cover

D-SUB protective cover - VS-15-SD - 1887099



D-SUB protective cover, shell size 2, IP54 degree of protection, for panel mounting frame and sleeve housing VS-15-...

Shroud

D-SUB EMC shroud - VS-15-A-EMV-S - 1688049

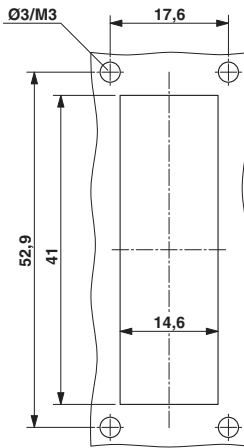


D-SUB EMC shroud, shell size 2, shielded, for panel mounting frame VS-15-...

D-SUB panel mounting frames - VS-15-A - 1688036

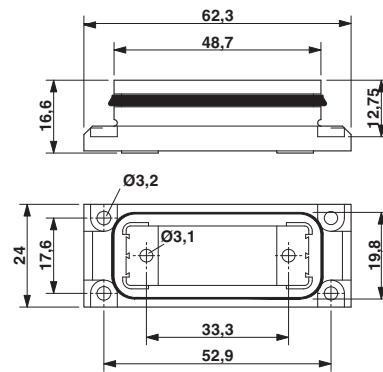
Drawings

Dimensioned drawing



Panel cutout

Dimensioned drawing



D-SUB panel mounting frame