

# Fiber optic coupling - VS-PPC-J-1-SCRJ-MNBK



1405206

<https://www.phoenixcontact.com/gb/products/1405206>

Please be informed that the data shown in this PDF document is generated from our Online Catalog. Please find the complete data in the user documentation. Our General Terms of Use for Downloads are valid.

---

SC-RJ push-pull coupling, IP67, metal, with protective cover, color: nickel-plated



# Fiber optic coupling - VS-PPC-J-1-SCRJ-MNBK



1405206

<https://www.phoenixcontact.com/gb/products/1405206>

## Commercial Data

Item number	1405206
Packing unit	1 pc
Minimum order quantity	1 pc
Sales Key	ABNEBA
Product Key	ABNEBA
Catalog Page	Page 371 (C-2-2019)
GTIN	4046356332804
Weight per Piece (including packing)	115.7 g
Weight per Piece (excluding packing)	115.7 g
Customs tariff number	85366990
Country of origin	DE

## Technical Data

### Product properties

Product type	Fiber optic connector (cable side)
Number of positions	2
Cable outlet	straight

### Electrical properties

Attenuation	0.2 dB (acc. to IEC 61300-3-4)
-------------	--------------------------------

### Dimensions

#### Mechanical characteristics

Ferrule diameter	2.50 mm
------------------	---------

### Material specifications

Color	silver
Material	Metal
Housing material	Zinc die-cast

### Connector

Insertion/withdrawal cycles	>= 500
-----------------------------	--------

### Cable / line

#### Cable structure

Cable type	Fiber optics
------------	--------------

#### Ambient conditions

Resistance to oil	yes
Flame resistance	yes

#### FO cable

Number of fibers	2
Fiber type	GOF, PCF, POF

### Characteristics

Attenuation	0.2 dB (acc. to IEC 61300-3-4)
-------------	--------------------------------

### Environmental and real-life conditions

#### Ambient conditions

Degree of protection	IP67
Ambient temperature (operation)	-40 °C ... 85 °C
Ambient temperature (storage/transport)	-40 °C ... 85 °C
Ambient temperature (assembly)	0 °C ... 50 °C
Resistance to oil	yes

# Fiber optic coupling - VS-PPC-J-1-SCRJ-MNBK



1405206

<https://www.phoenixcontact.com/gb/products/1405206>

## Standards and regulations

Flame resistance	yes
Resistance to oil	yes

# Fiber optic coupling - VS-PPC-J-1-SCRJ-MNBK

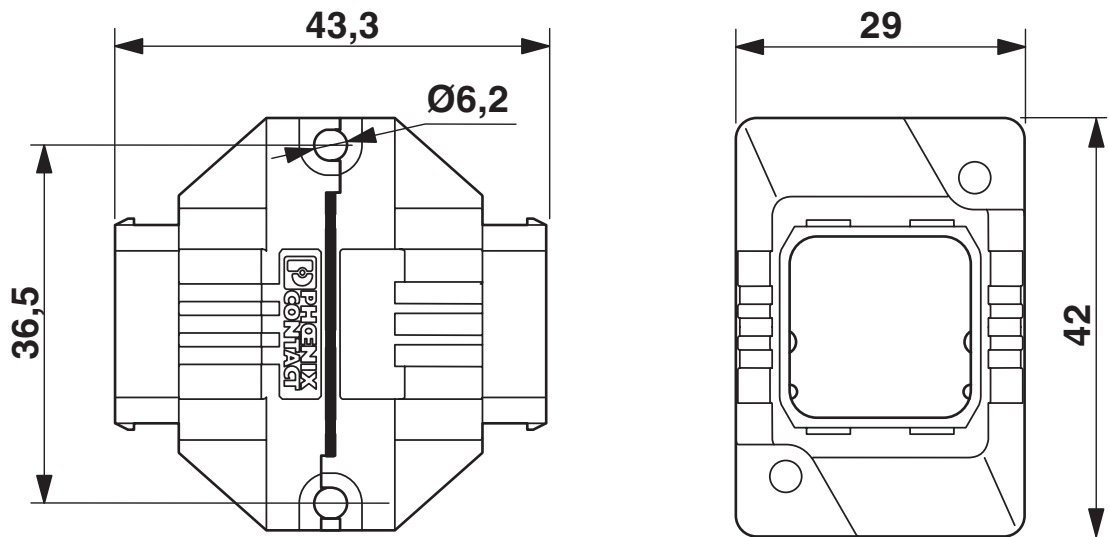


1405206

<https://www.phoenixcontact.com/gb/products/1405206>

## Drawings

Dimensional drawing



SCRJ push-pull coupling

# Fiber optic coupling - VS-PPC-J-1-SCRJ-MNBK



1405206

<https://www.phoenixcontact.com/gb/products/1405206>

## Approvals



**EAC**

Approval ID: B.01687



**UL Listed**

Approval ID: E308814-20070105

# Fiber optic coupling - VS-PPC-J-1-SCRJ-MNBK



1405206

<https://www.phoenixcontact.com/gb/products/1405206>

## Classifications

### ECLASS

ECLASS-9.0	19179290
ECLASS-10.0.1	19179290
ECLASS-11.0	19179090

### ETIM

ETIM 8.0	EC002608
----------	----------

### UNSPSC

UNSPSC 21.0	43222600
-------------	----------

# Fiber optic coupling - VS-PPC-J-1-SCRJ-MNBK



1405206

<https://www.phoenixcontact.com/gb/products/1405206>

## Environmental Product Compliance

REACH SVHC	Lead 7439-92-1
China RoHS	Environmentally Friendly Use Period = 50 years
	For information on hazardous substances, refer to the manufacturer's declaration available under "Downloads"

Phoenix Contact 2022 © - all rights reserved

<https://www.phoenixcontact.com>

PHOENIX CONTACT Ltd  
Halesfield 13, Telford  
Shropshire, TF7 4PG  
01952 681700  
[info@phoenixcontact.co.uk](mailto:info@phoenixcontact.co.uk)