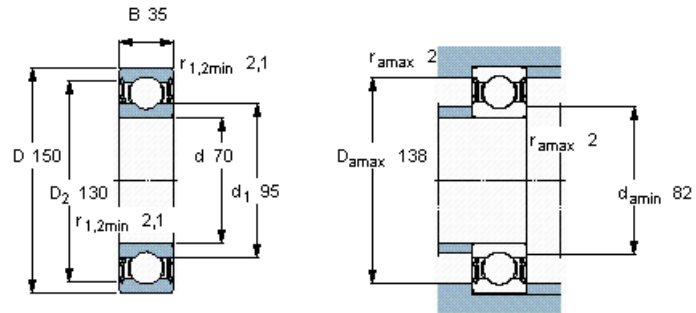


Deep groove ball bearings, single row



Principal dimensions			Basic load ratings		Fatigue load limit P_u	Speed ratings		Mass	Designation
d	D	B	dynamic	static		Reference speed	Limiting speed		
mm			kN		kN	r/min		kg	-
70	150	35	111	68	2,75	-	3000	2,50	6314-2RS1 *



Calculation factors

k_r 0,03
 f_0 13