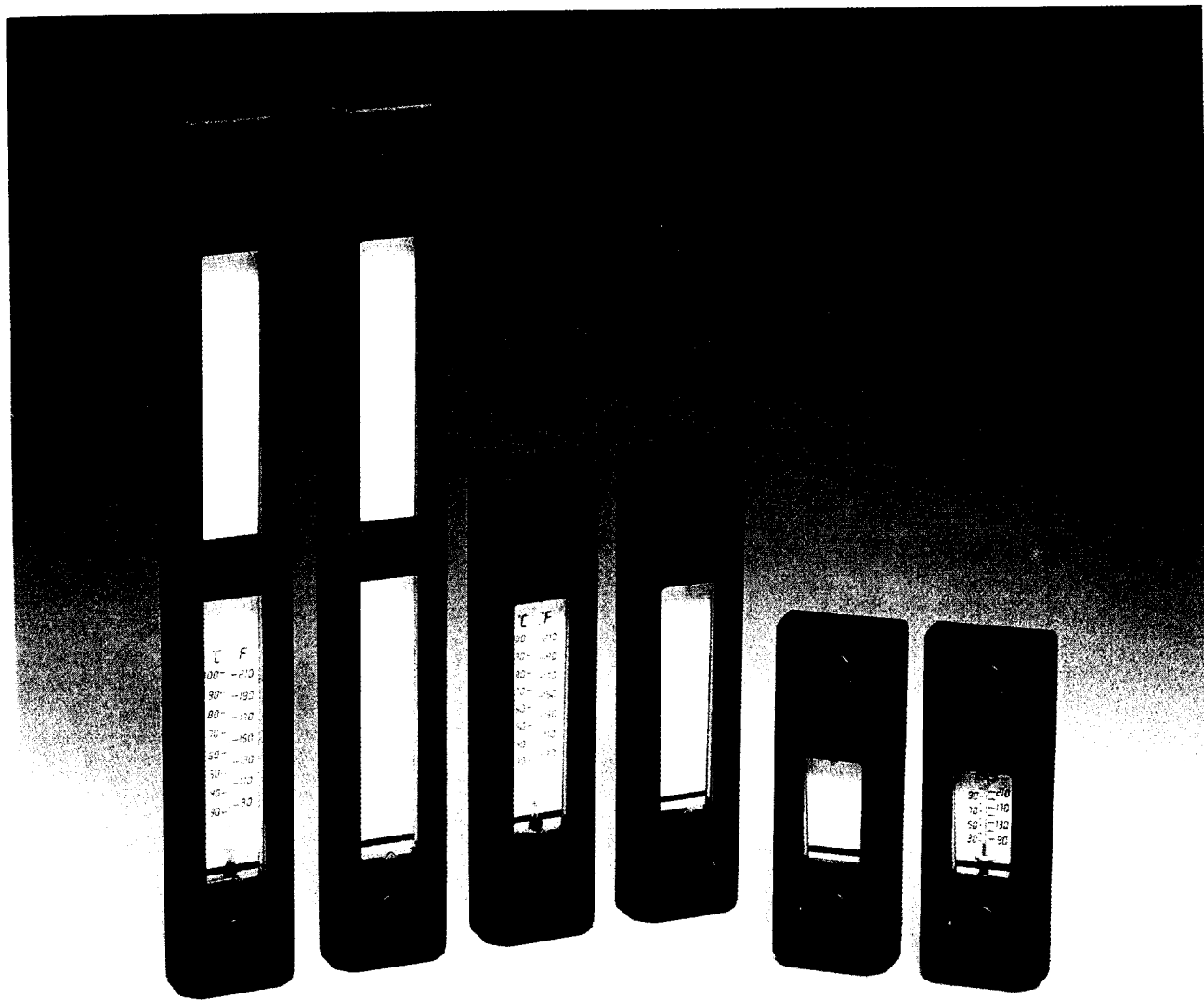


FLUID LEVEL TEMPERATURE GAUGES



- High visibility one-piece polyamide lens.
- Universal front or rear fixing – TWO holes.
- M10 and M12 bolt thread options.
- 3 sizes with or without thermometer – 76mm, 127mm, 254mm.
- High impact, black polystyrene shroud.
- For use on pressurised tanks up to 1 bar.
- Designed to add style and efficiency to tank installations, co-ordinated design with modular air breathers.
- Constructed throughout from aluminium-free, high strength materials.
- Compatible with mineral and petroleum based fluids.

FLUID LEVEL
TEMP. GAUGES

FLUID LEVEL TEMPERATURE GAUGES

SPECIFICATIONS

Construction:

Lens	Transparent polyamide
Lens base	Nylon 66
Shroud	High impact polystyrene. No aluminium content.
Seals	Nitrile
Maximum working pressure:	1 bar
Working temperature:	-30°C to +90°C.

Fluid compatibility:

Mineral and petroleum based fluids.

Recommended bolt tightening torque:

10 Nm maximum.

Thermometer scale range:

30°C – 80°C.

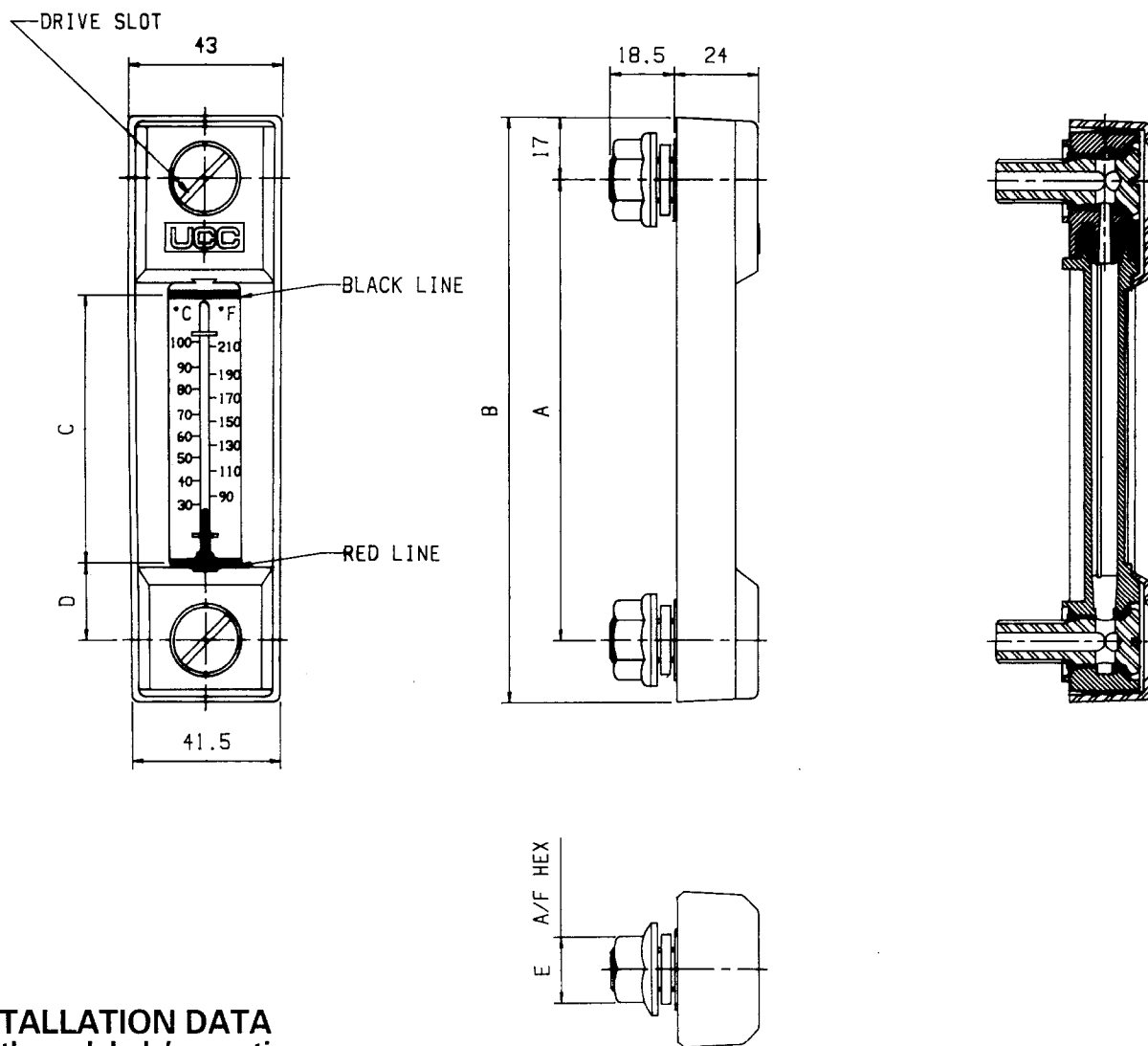
Indicator:

Blue alcohol.

Note:

Locate seals in mounting recess before fitting.

INSTALLATION DETAILS



INSTALLATION DATA

For 'through hole' mounting:

	— Thread —	
Hole size	M10	M12
Preferred	11.0	13.0
Maximum	13.0	14.0

For tapped holes:

Holes to be tapped square to mounting face.

Tolerance on hole centres: +0.5
-0.2

For welded back nuts:

The above details should be combined.

FLUID LEVEL TEMPERATURE GAUGES

ORDERING INFORMATION

Although there is a wide choice to meet all requirements, ordering is very straightforward. First choose the type of reading – fluid level only (FL) which comes in three sizes, or the fluid level with temperature (FLT) which also comes in three sizes. Look down column A, select the gauge centres and bolt thread to give the required part number.

SIZE 1. 76mm Centres. M10 Thread

Part No.	Description	Centres	Thread	A mm	B mm	C mm	D mm	E mm	Max Temp.	Weight
RS 196-2735	Fluid Level/Temp	76mm	M10	76	110	30	18	17	80°C	0.13kg
							± 1mm			

SIZE 1. 76mm Centres. M12 Thread

Part No.	Description	Centres	Thread	A mm	B mm	C mm	D mm	E mm	Max Temp.	Weight
UC.FL.113 UC.FLT.123	Fluid Level	76mm	M12	76	110	30	18	18	80°C	0.13kg
	Fluid Level/Temp	76mm	M12	76	110	30	18	18	80°C	0.13kg
							± 1mm			

SIZE 2. 127mm Centres. M10 Thread

Part No.	Description	Centres	Thread	A mm	B mm	C mm	D mm	E mm	Max Temp.	Weight
RS 196-2757	Fluid Level/Temp	127mm	M10	127	161	74	22	17	80°C	0.15kg
							± 1mm			

SIZE 2. 127mm Centres. M12 Thread

Part No.	Description	Centres	Thread	A mm	B mm	C mm	D mm	E mm	Max Temp.	Weight
UC.FL.213 UC.FLT.223	Fluid Level	127mm	M12	127	161	74	22	18	80°C	0.15kg
	Fluid Level/Temp	127mm	M12	127	161	74	22	18	80°C	0.15kg
							± 1mm			

SIZE 3. 254mm Centres. M10 Thread

Part No.	Description	Centres	Thread	A mm	B mm	C mm	D mm	E mm	Max Temp.	Weight
RS 196-2763	Fluid Level/Temp	254mm	M10	254	288	202	22	17	80°C	0.23kg
							± 1mm			

SIZE 3. 254mm Centres. M12 Thread

Part No.	Description	Centres	Thread	A mm	B mm	C mm	D mm	E mm	Max Temp.	Weight
UC.FL.313 UC.FLT.323	Fluid Level	254mm	M12	254	288	202	22	18	80°C	0.23kg
	Fluid Level/Temp	254mm	M12	254	288	202	22	18	80°C	0.23kg
							± 1mm			

INSTALLATION and APPLICATION DATA

Simple to Install

The universal fixing arrangement is designed for either front or rear fixing. Just two holes in the tank – threaded for front fixing – and the gauge is ready to install. After positioning the gauge the bolts are simply tightened to provide a secure seal. There is no fear of leakage with the square section seals and the two-point mounting system eliminates problems with tank distortion. M10 and M12 bolt thread options are available.

Easy to Read

The high-visibility lens is one-piece for added security and moulded in shatterproof, transparent polyamide for an accurate and clear oil level and temperature indication.

Further gauge protection is provided by a specially designed shroud moulded in high-impact, black polystyrene. The thermometer indicator is blue alcohol with a dual scale range of 30°C – 80°C.