

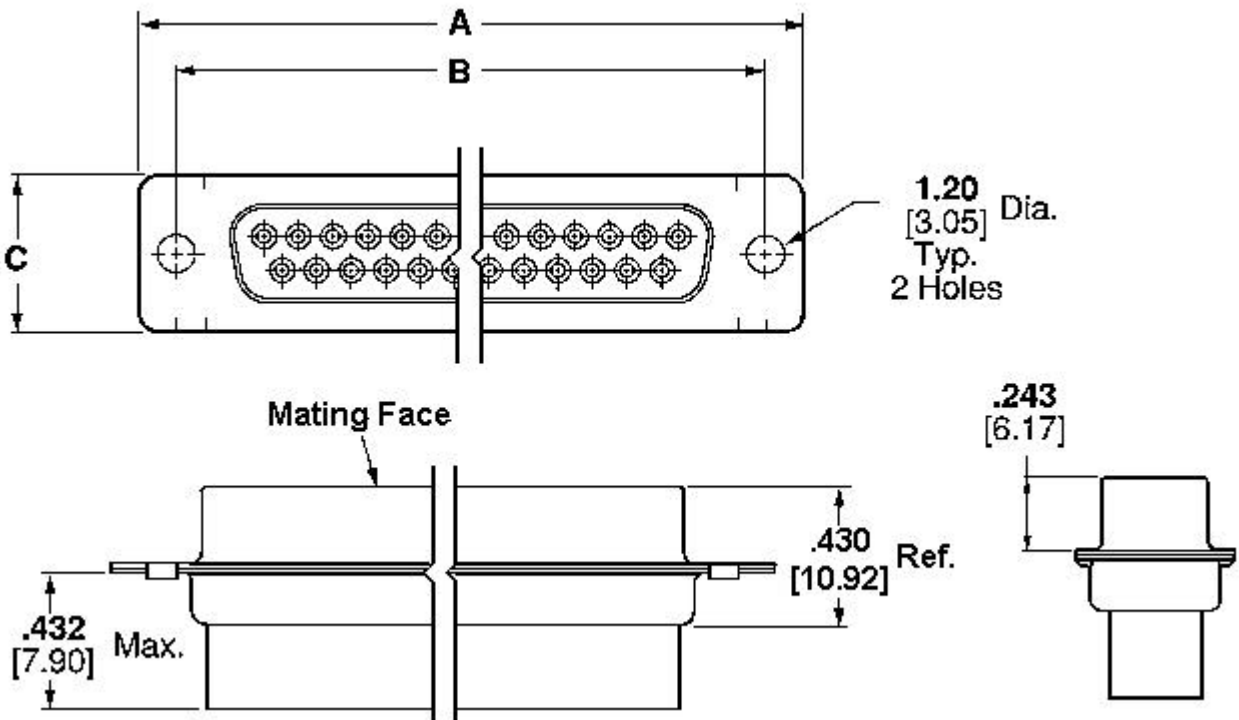
Alphabetical Picture Part Number  
**SEARCH SEARCH SEARCH**

Go To Step Search™ Screen

**207463-1 -- 1 of 1 products**

**AMPLIMITE Subminiature D Connectors**  
**AMPLIMITE Subminiature D Cable Connectors**

General **INFO**  
Sales **INFO**  
Customer Drawings **SPECIFICATIONS**



Line art represents typical product only.

### *Searchable Features:*

<b>Product Type</b>	Connector
<b># of Positions</b>	25
<b>Sex</b>	Receptacle
<b>Wire Termination Type</b>	Crimp Snap
<b>Mating Connector Lock</b>	With
<b>Mating Connector Lock Type</b>	Mounting Holes
<b>Shell Size</b>	3
<b>Shell Type</b>	Front Metal Shell
<b>Contact Size</b>	20
<b>Grounding Indents</b>	Without
<b>Product Series</b>	HDP-20
<b>Grade</b>	Standard

### *Other Properties:*

<b>Dim. A</b>	2.088 [53.04] in. [mm]
<b>Dim. B</b>	1.852 [47.04] in. [mm]
<b>Dim. C</b>	.494 [12.55] in. [mm]
<b>Color</b>	Black
<b>Shell Material</b>	Steel
<b>Shell Plating</b>	Tin
<b>Insert Material</b>	Thermoplastic
<b>Insert Flammability Rating</b>	UL 94V-0
<b>Comment</b>	Receptacles accept size 20 DF socket contacts.