



## Datasheet

# RS PRO Switch limit safety roller arm lever, Plastic body, 1NO/1NC Snap action, M20 conduit, IP67

Stock number: **179-7566**

EN

### Specifications:

Operating Frequency	Mechanical: 120ops/min Electrical: 30 ops/min
Insulation Resistance	>100MΩ@500V DC
Contact Resistance	<25mΩ(initial value)
Rated Thermal Current	10A
Electrical Rating	AC 15 A600 (UL,cUL Approved) DC 13 Q300
Dielectric Strength	1000VAC for 1 min between current carrying parts 2500VAC for 1 min between non-current carrying parts
Service Life	Mechanically $1 \times 10^7$ Electrically $5 \times 10^5$
Operating Temperature	-25~+80°C (-13~176°F) (with no icing)
Degree of Protection	IP67
Humidity	<95%RH

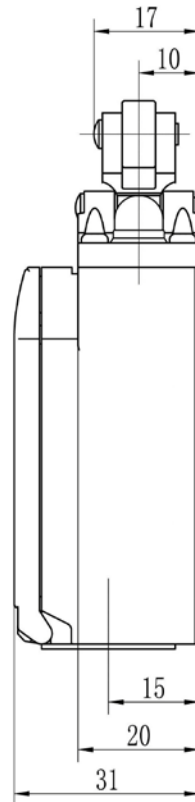
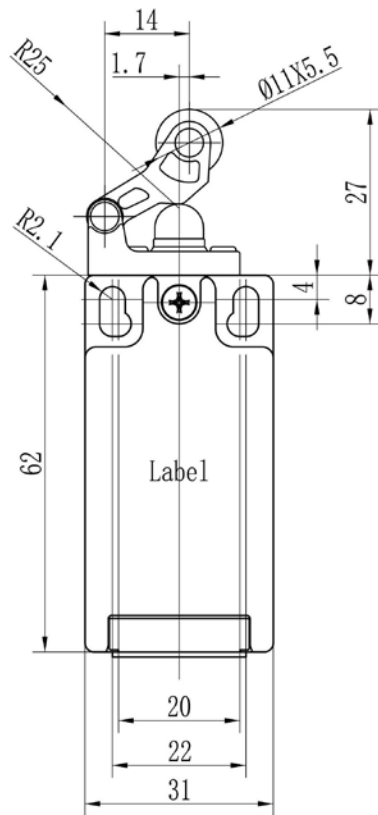
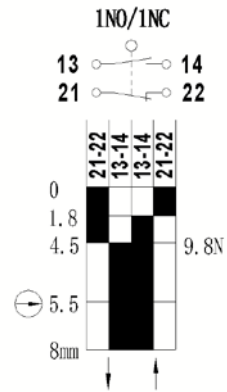


### Features:

- Robust glass fiber reinforce plastic body
- UL/CSA/CE Certified
- Threaded hole available: M20\*1.5



### Circuit Diagram



[rspro.com](http://rspro.com)

