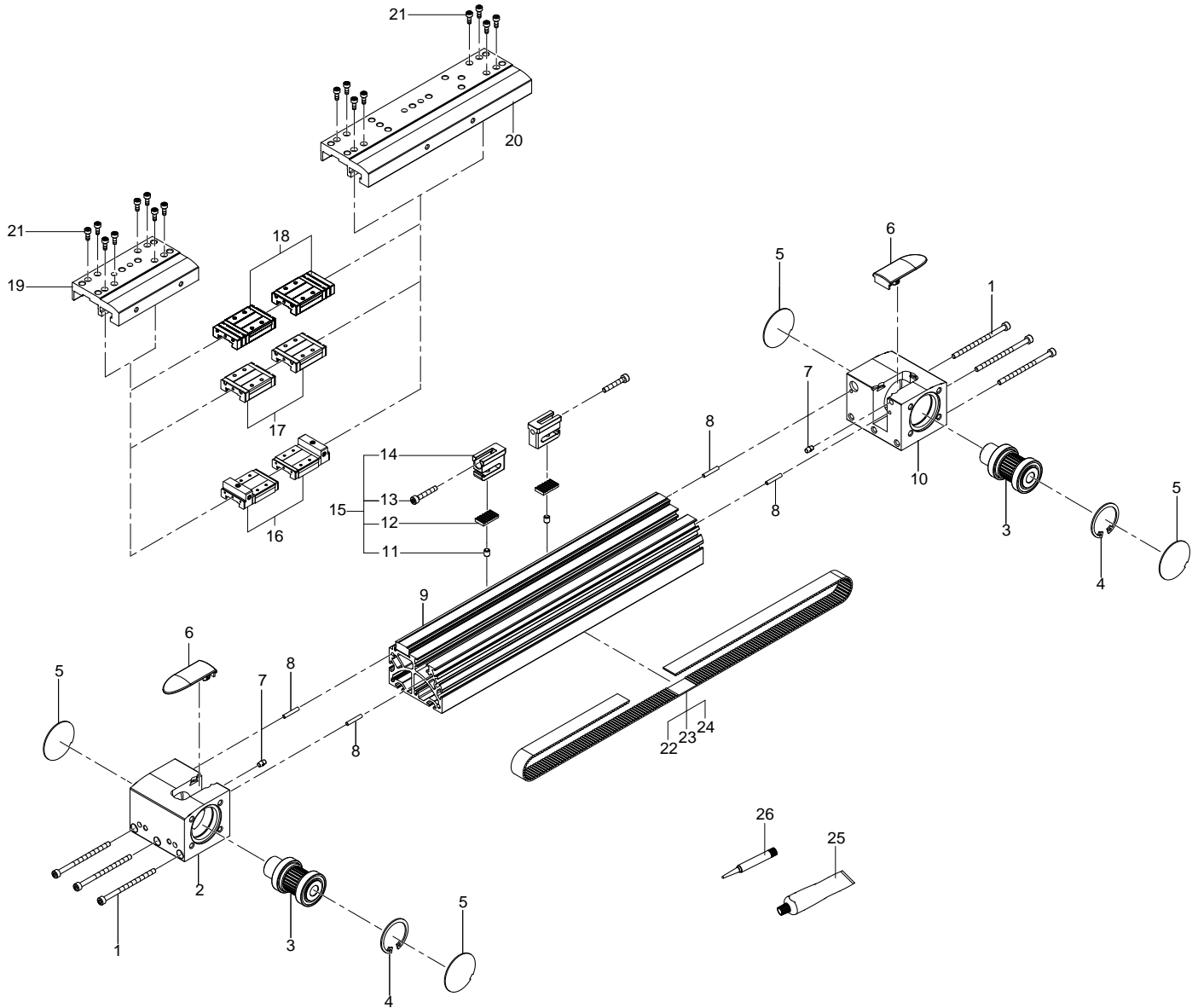


3012495 EGC-70-600-TB-KF-0H-GK Toothed belt axis - Series: All



## 3012495 EGC-70-600-TB-KF-0H-GK Toothed belt axis - Series: All

Pos.	Part no.	Type	Note	Qty.	Unit
1	370799	ISO 4762-M4X65-8.8 Socket head screw	Tightening torque 2.5 Nm / 1.8 lbf ft Use locking compound. See position 26	6	PC
2	716435	EGC-70-TB:LI Drive cover		1	PC
3	723107	EGC-70-TB:STD Toothed belt pulley module		2	PC
4	401246	DIN 472-32X1,2 Retaining ring		2	PC
5	2493426	ELGA-TB-RF-70-F1:D38 Sealing washer		4	PC
6	716446	EGC-70-TB Cover cap		2	PC
7	686823	4,7X7,5 Buffer element		2	PC
8	216781	DIN 7346-3X18-A2 Spring pin		4	PC
9		EGC-70-TB-KF Cylinder barrel	Not available	1	PC
10	716436	EGC-70-TB:RE Drive cover		1	PC
11	204481	ISO 4026-M5X6-45H Threaded pin	Tightening torque 0.3 Nm / 0.2 lbf ft Use locking compound. See position 26	2	PC
12		EGC-70-TB Clamping plate	Not available separately, see position 15	2	PC
13	205778	ISO 4762-M4X25-8.8 Socket head screw		2	PC
14		EGC-70-TB Clamping part	Not available separately, see position 15	2	PC
15	739498	EGC-70-TB ET Clamping part		2	PC
16	8114782	EGC-70-C Roller carriage	Attention! It is essential that the information in the repair manual be closely observed! Grease using during assembly. See position 25	1	PC
17	716519	EGC-70-KF-GK/GV Roller carriage	Attention! It is essential that the information in the repair manual be closely observed! Grease using during assembly. See position 25	1	PC
18	722900	EGC-70-KF-GP/GQ Roller carriage	Attention! It is essential that the information in the repair manual be closely observed! Grease using during assembly. See position 25	1	PC
19	716486	EGC-70-TB-KF-GK/GP Slide module		1	PC
20	716488	EGC-70-TB-KF-GV/GQ Slide module		1	PC
21	723976	ISO 4762-M3X8-12.9 Socket head screw	Tightening torque 2.5 Nm / 1.8 lbf ft Use locking compound. See position 26	8	PC
22	743149	EGC-70- -YT- Toothed belt	When ordering please specify the configuration (see type plate) Attention! It is essential that the information in the repair manual be closely observed! <a href="#">▶ Replacing the toothed belt</a>	1	PC
23	8096935	GT-15LL-3MR-5M-610-5555 Toothed belt	Attention! Length 5 meter Attention! The Material is [ ] <a href="#">▶ Replacing the toothed belt</a>	1	PC
24	8119359	PGGT-15-LL-3MR-5M-PU2 Toothed belt	Attention! Length 5 meter Attention! The Material is [PU2] <a href="#">▶ Replacing the toothed belt</a>	1	PC
25	684474	LUB-KC1 SILIKONFREI 20ML Lubricating grease		1	PC

Pos.	Part no.	Type	Note	Qty.	Unit
26	8181256	CYBERBOND TM44 TB1ML Adhesive bonding agent		1	PC